

Please go to [www.quoizel.com](http://www.quoizel.com) for product cleaning tips. Go to the **Care + Maintenance** selection.

**Tools Required:** Flathead screwdriver, Phillips screwdriver, pliers, wire cutters, wire strippers, electrical tape, safety glasses.

**Light Source:** (4) B10 Candelabra Base bulbs 60W Maximum, bulb not included.

**Fixture Hanging Height:** Minimum Hanging Height is 15", Maximum Hanging Height is 68".

**Estimated Assembly Time:** 30-45 minutes

**Preparation:** Identify and inspect all parts before beginning installation. Check package content list and diagrams below to ensure all parts are present. If any parts are missing or damaged, do not attempt to assemble, install, or operate the fixture. Missing Parts? Contact your original place of purchase.

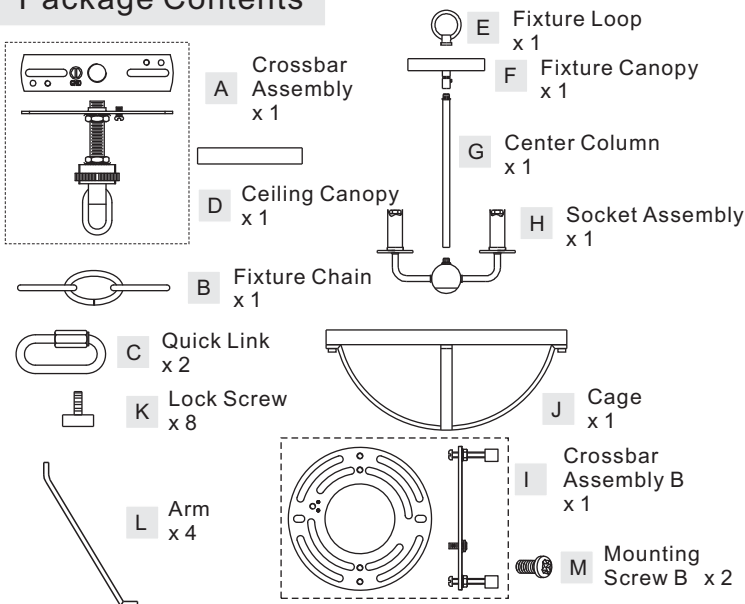
## ⚠ Warnings and Cautions

Turn off electricity at circuit breaker or main fuse box before installation. Consult a licensed electrician if in doubt.

These instructions are provided for your safety. It is very important you read them completely before installing the fixture. We strongly recommend that a licensed, professional electrician perform the installation.

Disconnect fixture from power source before replacing bulbs. Make sure bulbs are given sufficient time to cool before removal.

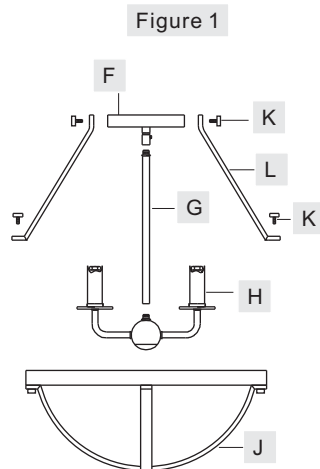
## Package Contents



## Assembly Instructions for Semi-flush Light (Step 1A - Step 5A)

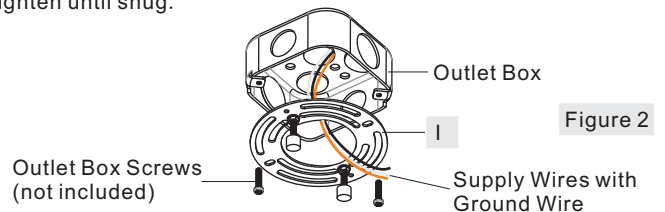
### STEP 1A - Install the fixture loop and Cage

- Pass supply wires and ground wire through the center column (G) and the Fixture canopy (F).
- Thread the center column (G), the Fixture canopy (F) and the socket assembly (H) together as shown. Hand tighten until snug.
- Attach the Side Arm (L) to the Fixture Canopy (F) and secure with one Lock Screw (K).
- Attach the Cage (J) to the bottom ends of Side Arms (L) and secure with Lock Screws (K).



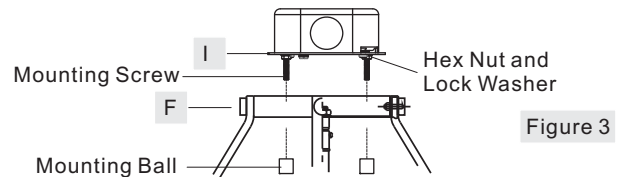
### STEP 2A - Installing the Crossbar Assembly

- Pass the supply wires from outlet box through the Crossbar Assembly (I). Attach the Crossbar Assembly (I) to the Outlet Box with the head of the Green Ground Screw facing you. Secure the Crossbar Assembly (I) with Outlet Box Screws (not included). Tighten until snug.



### STEP 3A - Test Fitting Ceiling Canopy to Crossbar Assembly

- Remove mounting balls from the Crossbar Assembly (I). Fit the Fixture canopy (F) to the Crossbar Assembly (I) and secure with mounting balls. Note: The Fixture canopy (F) should be snug against the ceiling and the mounting balls. If not, adjust the length of the nipple on the Crossbar Assembly (I) by unscrewing the preassembled hex nut and lock washer and then screwing the mounting screws in or out of the crossbar until the correct length is achieved. Once the Fixture canopy (F) is secure, remove the mounting ball and Fixture canopy (F) and proceed to Step 4A.



### STEP 4A - Making the Wire Connections

- Wrap bare or green ground wire around green ground screw on the crossbar, no less than 2 inches from the end of the wire. Tighten the green ground screw.
- Use standard wire connectors (not included) to make all wire connections. Twist connectors until wires are tightly joined together. Wrap each connection with approved electrical tape and carefully stuff all the connected wires into outlet box.

Note: If the electrical wire is going to be cut shorter than provided you will need to identify the "L" line wire and the "N" neutral wire before you cut the excess wire off. One is labeled N and the other labeled L. To do this separate the "L" line wire and the "N" neutral wire as far as you need to. Re-label the wire near where you want to make the cut. Be sure to mark the wire on the side of the fixture and not on the excess wire being cut and removed.

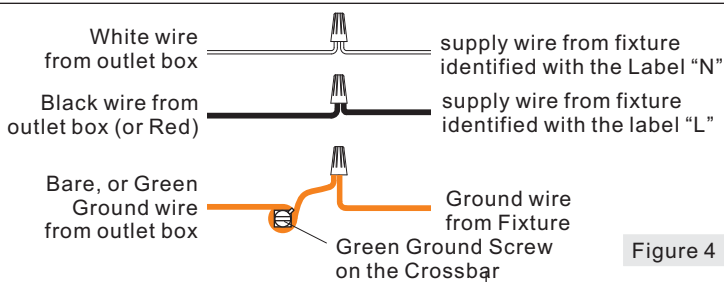


Figure 4

**STEP 5A - Install the Bulb**

- Insert the bulb onto the socket and screw snugly into place.
- Your fixture is now assembled and ready to use. Enjoy!

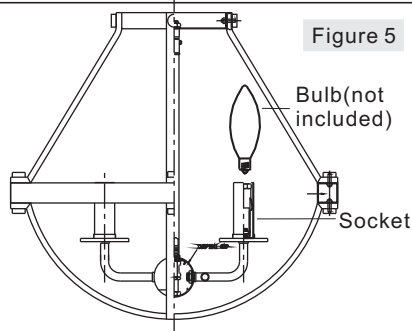


Figure 5

**Assembly Instructions for Chandelier (Step 1B - Step 5B)**

**STEP 1B - Install the fixture loop and Cage**

- Pass supply wires and ground wire through the center column (G), the Fixture canopy (F) and fixture loop (E).
- Thread the fixture loop (E), the center column (G), the Fixture canopy (F) and the socket assembly (H) together as shown. Hand tighten until snug.
- Attach the Side Arm (L) to the Fixture Canopy (F) and secure with one Lock Screw (K).
- Attach the Cage (J) to the bottom ends of Side Arms (L) and secure with Lock Screws (K).
- Remove mounting balls from the Crossbar Assembly (I). Attach the Mounting Screw B (M) to the Fixture canopy (F) and secure with Mounting Ball.

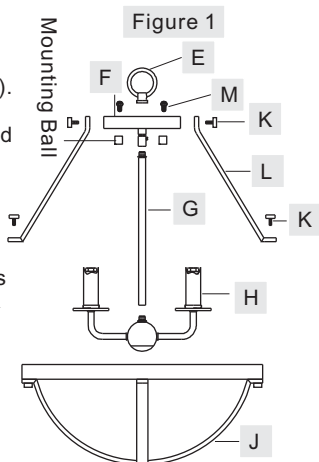


Figure 1

**STEP 2B - Install the Crossbar Assembly to Outlet Box and Adjust the length of the Nipple**

- Attach the Crossbar Assembly (A) to the Outlet Box with the head of the Green Ground Screw facing you. Secure it with Outlet Box Screws (not included), tighten until snug.
- Adjust the hex nut and lock washer underside of the crossbar to the middle of the nipple.
- Remove the canopy lock ring from the canopy chain loop. Place the Ceiling Canopy (D) over the canopy chain loop against the ceiling to determine the correct position of the nipple. Thread the canopy lock ring onto the canopy chain loop. Adjust the nipple to allow the Ceiling Canopy (D) to rest against the ceiling when held in place by the canopy lock ring.
- Remove the canopy lock ring and the Ceiling Canopy (D). Tighten the lock washer and the hex nut against the crossbar to secure in place.

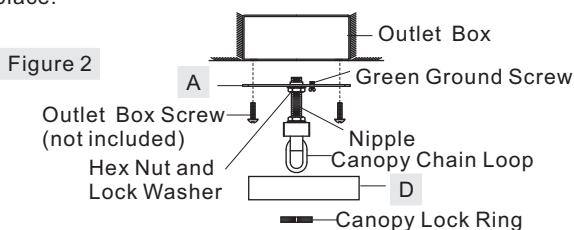


Figure 2

**STEP 3B - Install the Fixture Chain and Ceiling Canopy**

- Adjust the Fixture Chain (B) to your desired length by removing links if needed. Put a cloth over the Fixture Chain (B) to protect the finish.
- Pull the supply wires through the Fixture Chain (B) alternating links. After the wires are through the Fixture Chain (B), pull the Supply Wires and the Ground Wire through the canopy lock ring and the Ceiling Canopy (D) in order.
- Attach one end of the Fixture Chain (B) to the fixture loop with one Quick Link (C). Lift the fixture and Fixture Chain (B) up and attach the other end of the Fixture Chain (B) onto the canopy chain loop with another Quick Link (C). The fixture will now hang safely.
- Feed the Supply Wires and Ground Wire through the canopy chain loop and nipple into the outlet box. Cut the wires leaving approximately 8" of wire extending from the Outlet Box.
- Go to Step 3 for wire connections and follow the directions. Return to Step F in this step when complete with Step 3.
- Raise the Ceiling Canopy (D) and canopy lock ring up the Fixture Chain (B) and over the canopy chain loop. Tighten the canopy lock ring onto the canopy chain loop until tight.

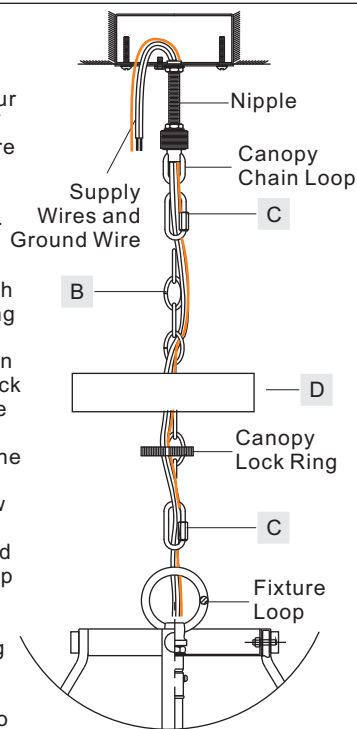


Figure 3

Suggested chain length for Ceiling height :

- 8' ceiling : use 15links of chain and 2 quick links
- 9' ceiling : use 25links of chain and 2 quick links
- 10' ceiling : use 35 links of chain and 2 quick links

**STEP 4B - Making the Wire Connections**

- Wrap bare or green ground wire around green ground screw on the crossbar, no less than 2 inches from the end of the wire. Tighten the green ground screw.
- Use standard wire connectors (not included) to make all wire connections. Twist connectors until wires are tightly joined together. Wrap each connection with approved electrical tape and carefully stuff all the connected wires into outlet box.

Note: If the electrical wire is going to be cut shorter than provided you will need to identify the "L" line wire and the "N" neutral wire before you cut the excess wire off. One is labeled N and the other labeled L. To do this separate the "L" line wire and the "N" neutral wire as far as you need to. Re-label the wire near where you want to make the cut. Be sure to mark the wire on the side of the fixture and not on the excess wire being cut and removed.

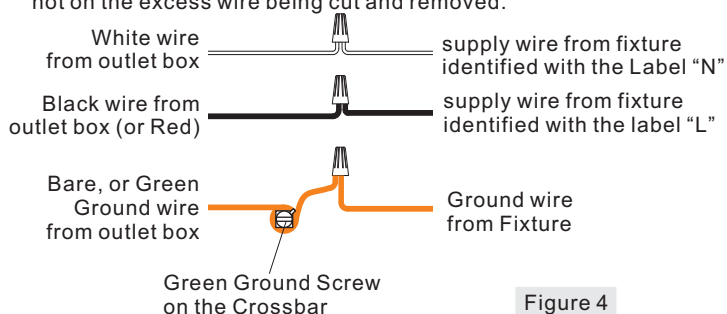
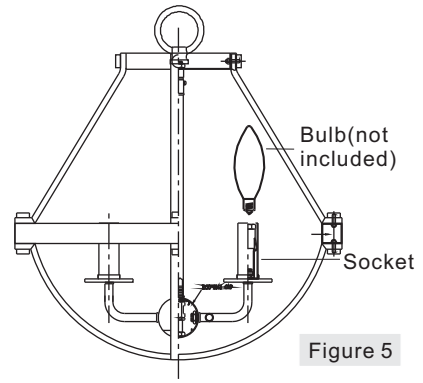


Figure 4

**STEP 5B - Install the Bulb**

a. Insert the bulb onto the socket and screw snugly into place.

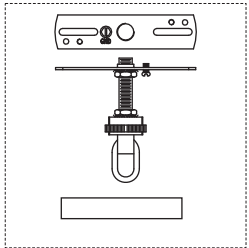
Your fixture is now assembled and ready to use. Enjoy!



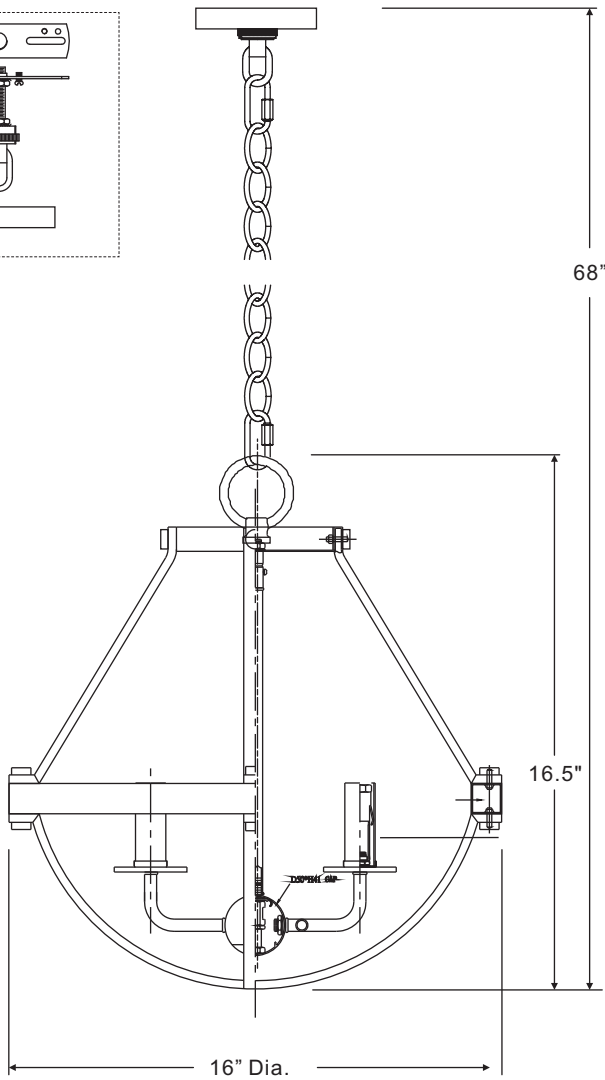
BRL1716EK

FINISH: EARTH BLACK

**CHANDELIER**



5" Dia.



**SEMI-FLUSH**

