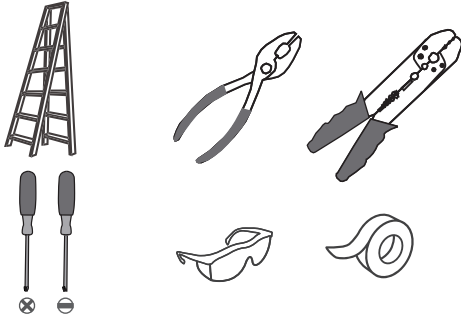
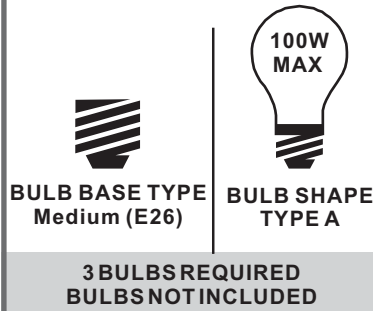


Tools Required



Light Source



**Fixture Height Adjustable
17" to 109"**

Warnings and Cautions

Turn off the electricity at the circuit breaker before installation. Consult a licensed electrician if in doubt about installation.

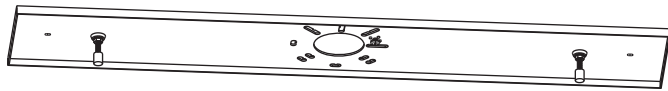
Turn off power to the fixture and allow the bulbs to cool before replacing.

Package Contents

Preparation: Identify and inspect all parts before beginning the installation.

Missing or damaged parts? Contact your original place of purchase.

PARTS BAG



A Inner Backplate Assembly
x 1



B Wall Anchor
x 2



C Screw
x 2



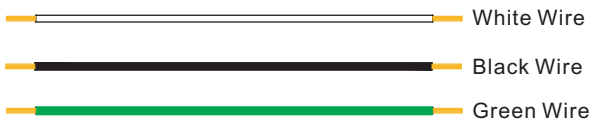
D Outlet Box Screw
x 2



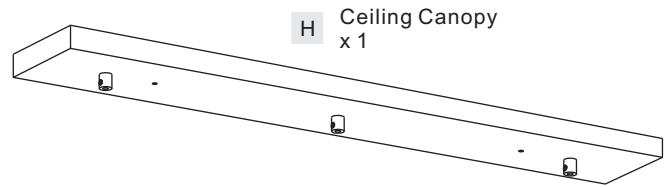
E Wire Connector
x 6



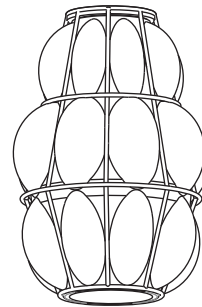
F Safety Clip
x 3



G Jumper Wires
x 1



H Ceiling Canopy
x 1



I Shade
x 3

J Fixture Body
x 3

Socket Collar
[preassembled
to fixture body]

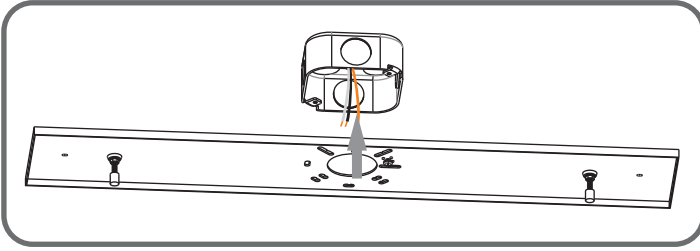
Table of Contents

Inner Backplate Assembly	Fixture Body	Jumper Wiring	Wiring	Ceiling Canopy	Shade & Bulb
STEP 1	STEP 2	STEP 3	STEP 4	STEP 5	STEP 6

STEP 1

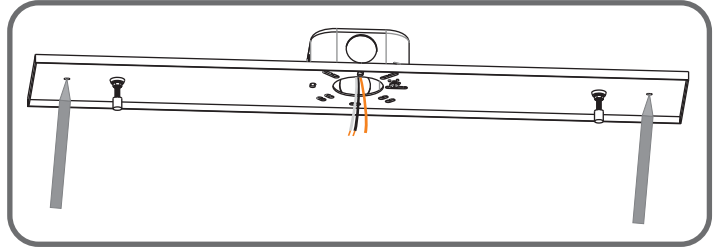
1

Fit inner backplate to outlet box



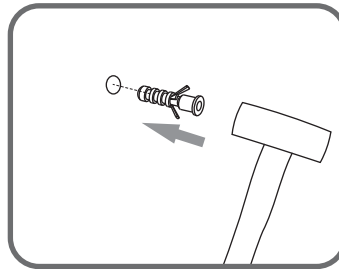
2

Mark Anchor Holes Location on the Ceiling



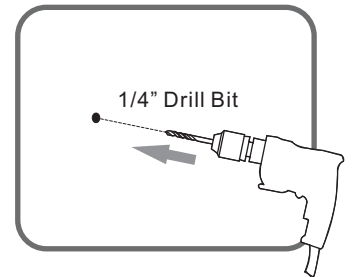
4

Install Wall Anchors



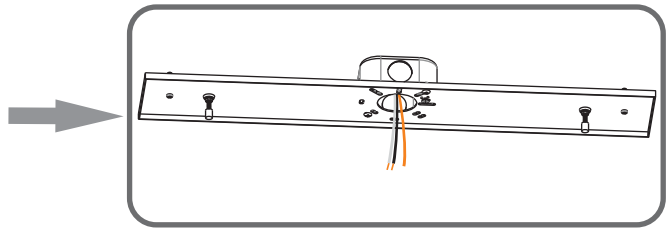
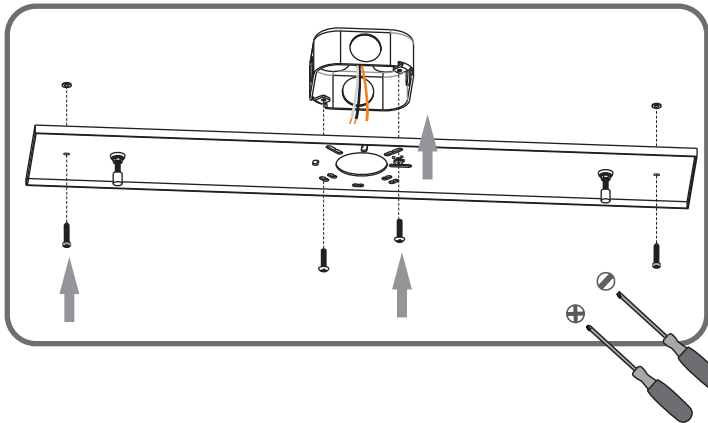
3

Drill Holes for Anchors from marks

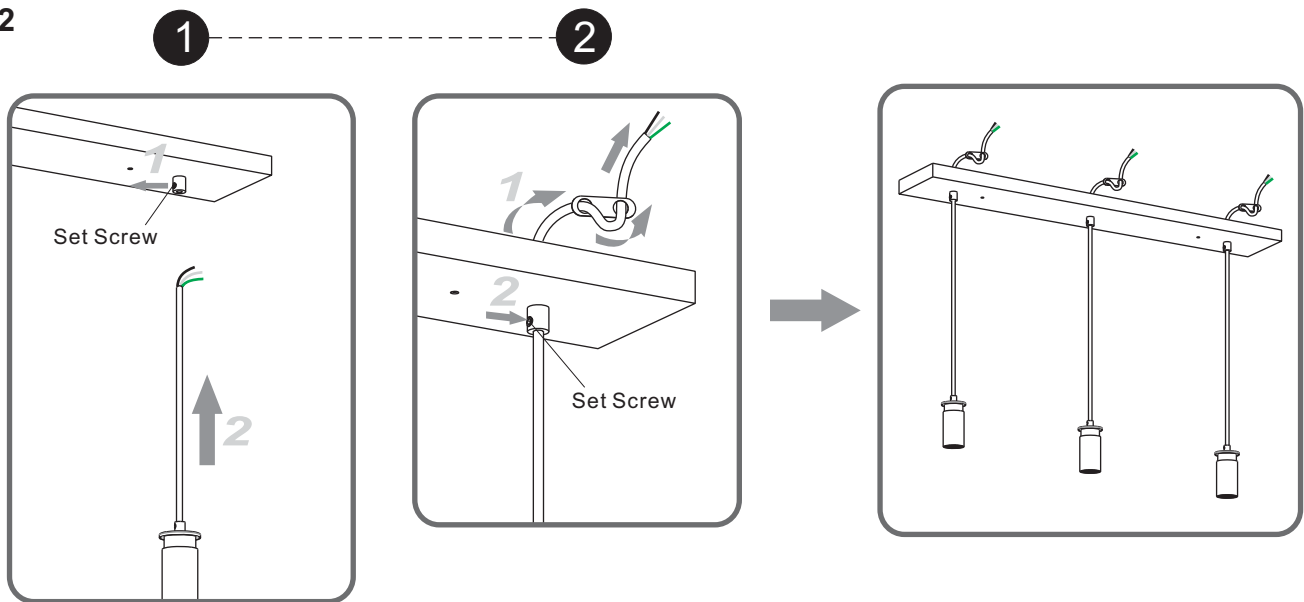


5

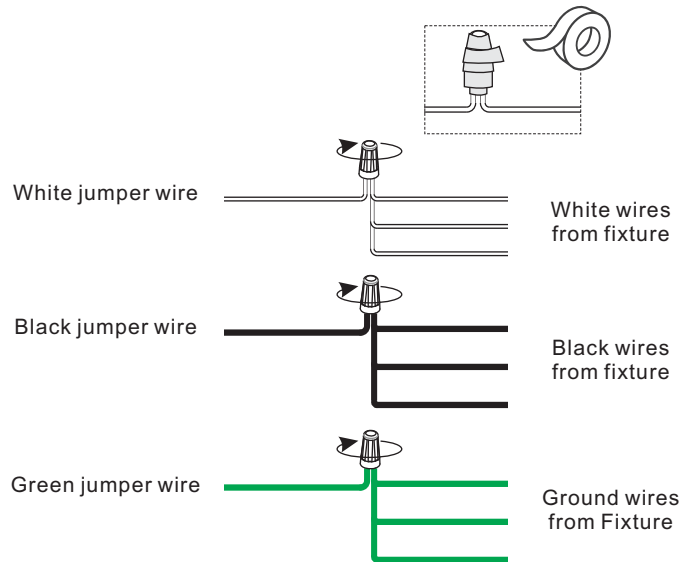
Install Inner Backplate Assembly



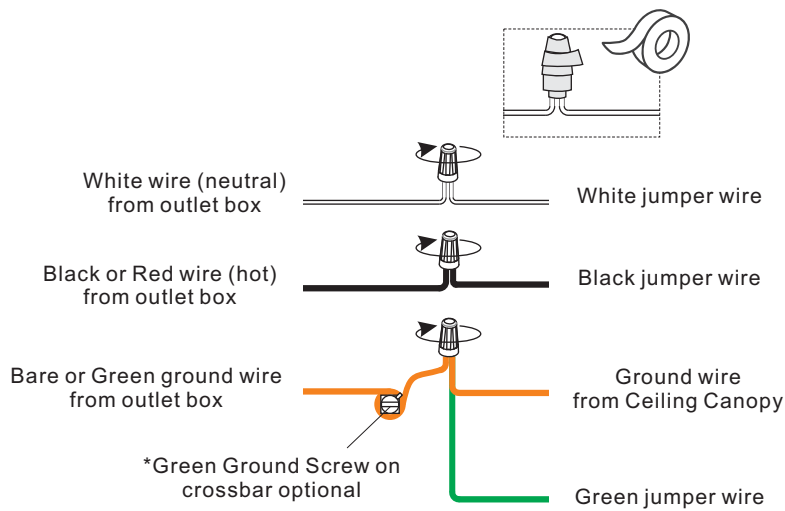
STEP 2



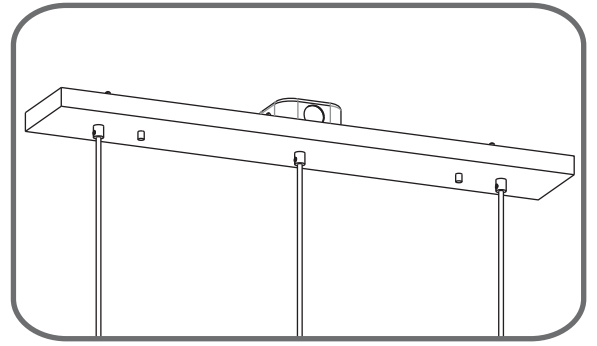
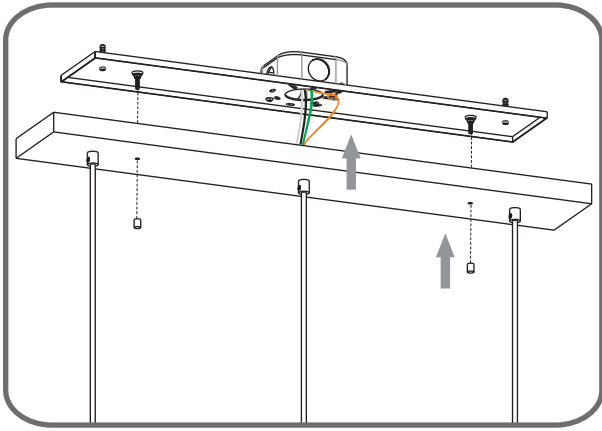
STEP 3



STEP 4

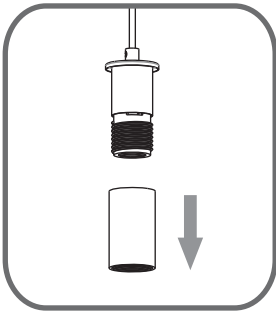


STEP 5



STEP 6

1



2

