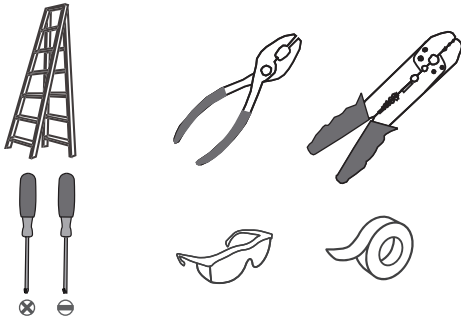
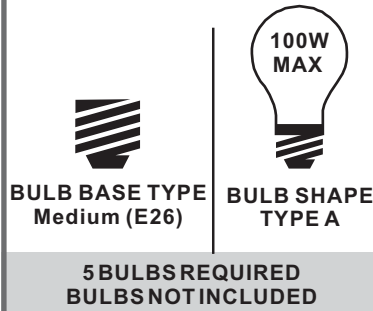


Tools Required



Light Source



**Fixture Height Adjustable
17" to 109"**

Warnings and Cautions

Turn off the electricity at the circuit breaker before installation. Consult a licensed electrician if in doubt about installation.

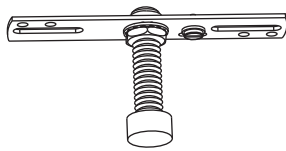
Turn off power to the fixture and allow the bulbs to cool before replacing.

Package Contents

Preparation: Identify and inspect all parts before beginning the installation.

Missing or damaged parts? Contact your original place of purchase.

PARTS BAG



A Crossbar Assembly
x 1



B Outlet Box Screw
x 2



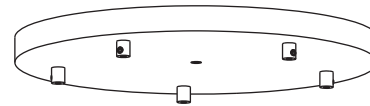
C Wire Connector
x 9



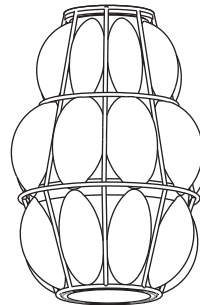
D Safety Clip
x 5



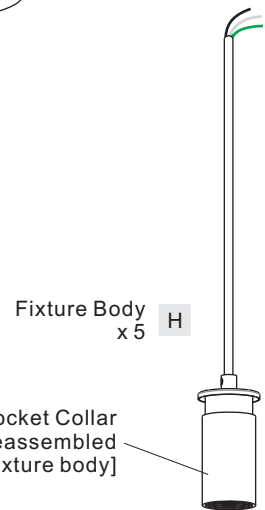
E Jumper Wires
x 2



F Ceiling Canopy
x 1



G Shade
x 5



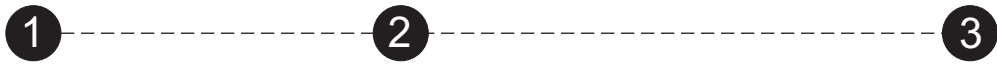
Fixture Body
x 5 **H**

Socket Collar
[preassembled
to fixture body]

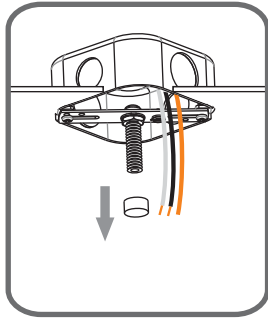
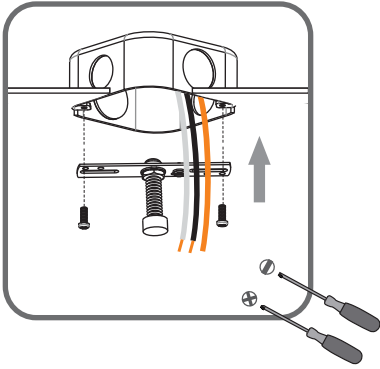
Table of Contents

Crossbar Assembly	Fixture Body	Jumper Wiring	Wiring	Ceiling Canopy	Shade & Bulb
STEP 1	STEP 2	STEP 3	STEP 4	STEP 5	STEP 6

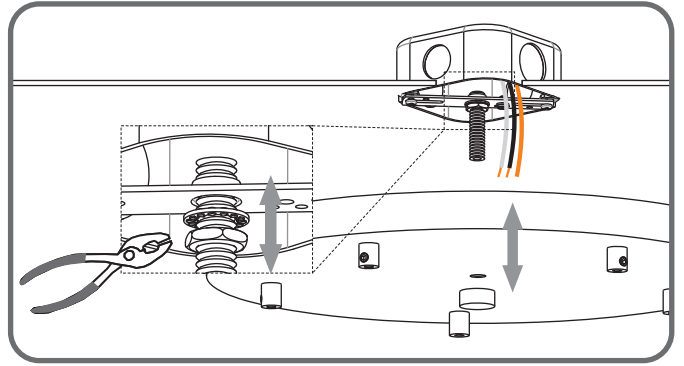
STEP 1



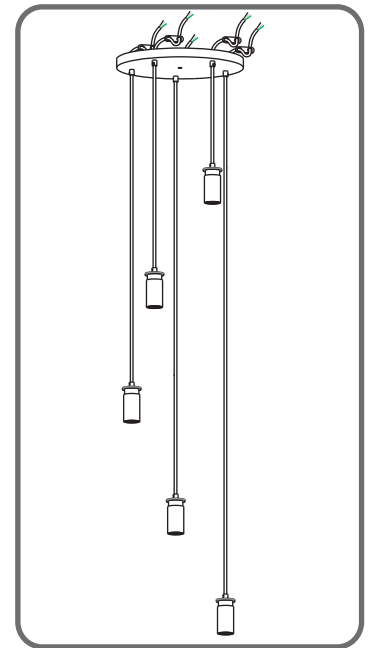
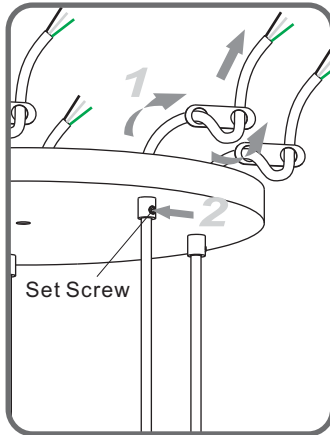
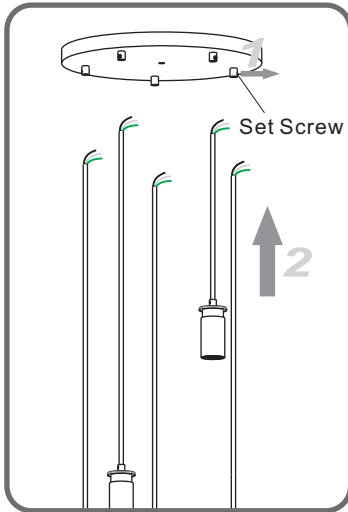
Step 1
Install crossbar assembly



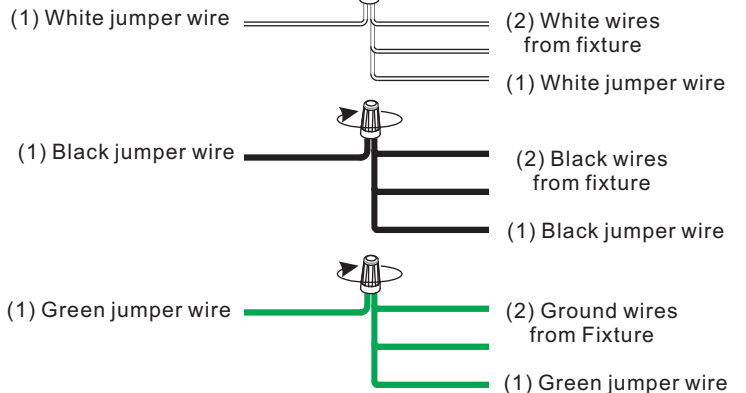
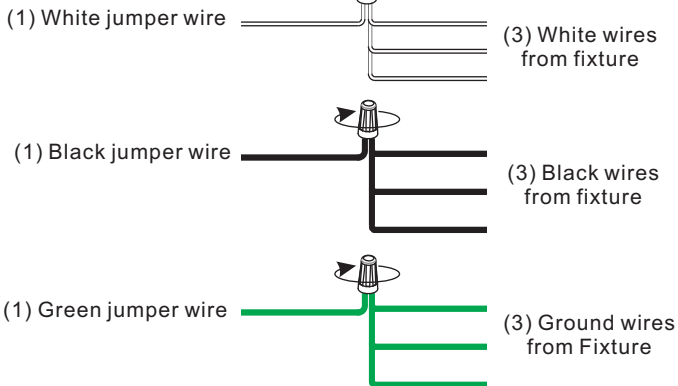
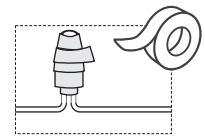
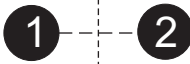
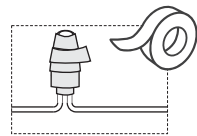
Step 2 - 3
Test fitting ceiling canopy to nipple



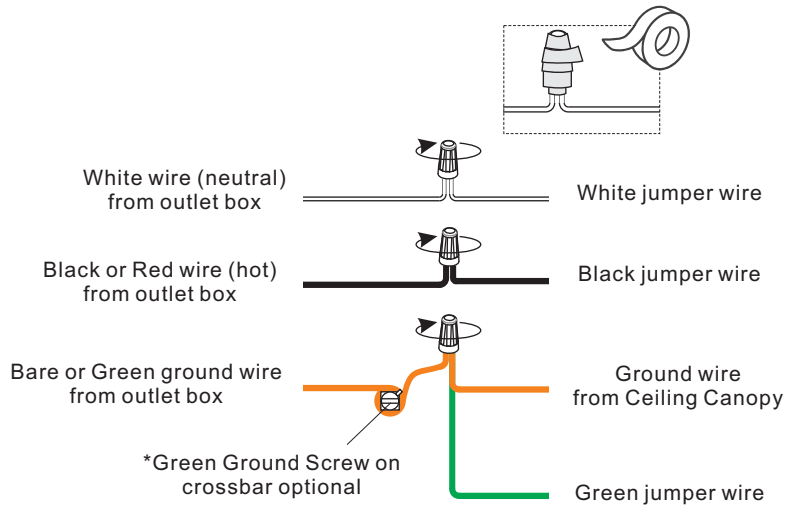
STEP 2



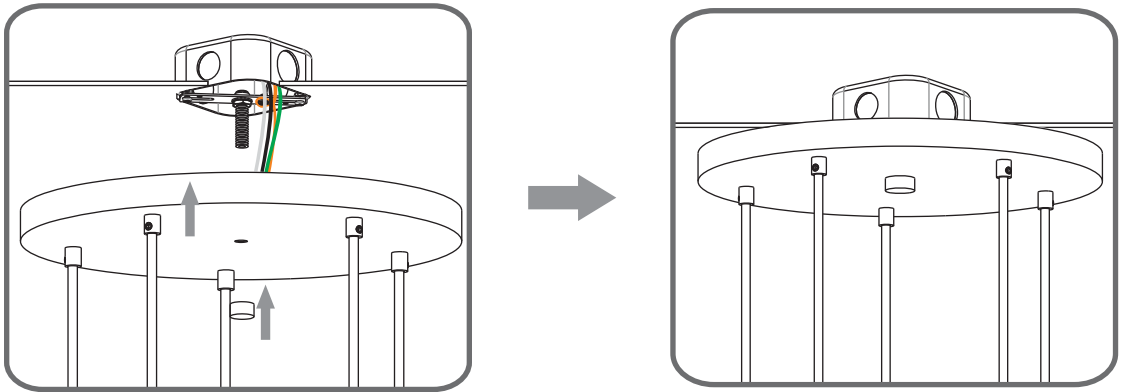
STEP 3



STEP 4



STEP 5



STEP 6

