

**SAFETY INFORMATION**

Released Date: 2022-04-07

Please read and understand this entire manual before attempting to assemble, install or operate the product.

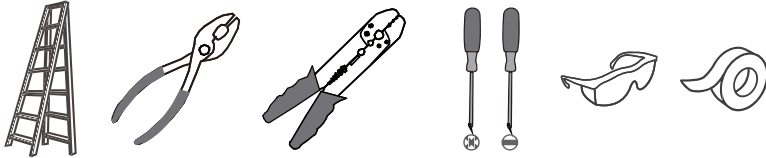
**WARNING**

- RISK OF ELECTRIC SHOCK - Before beginning installation, turn off electricity at the circuit breaker box or the main fuse box.
- RISK OF FIRE - Use bulbs specified by the markings and/or labels on the fixture.

**CAUTION**

- For your safety, read instructions completely before beginning installation.
- If in doubt about electrical installation, consult a licensed electrician.
- Turn off electricity to fixture before replacing the bulb(s).

**TOOLS REQUIRED**

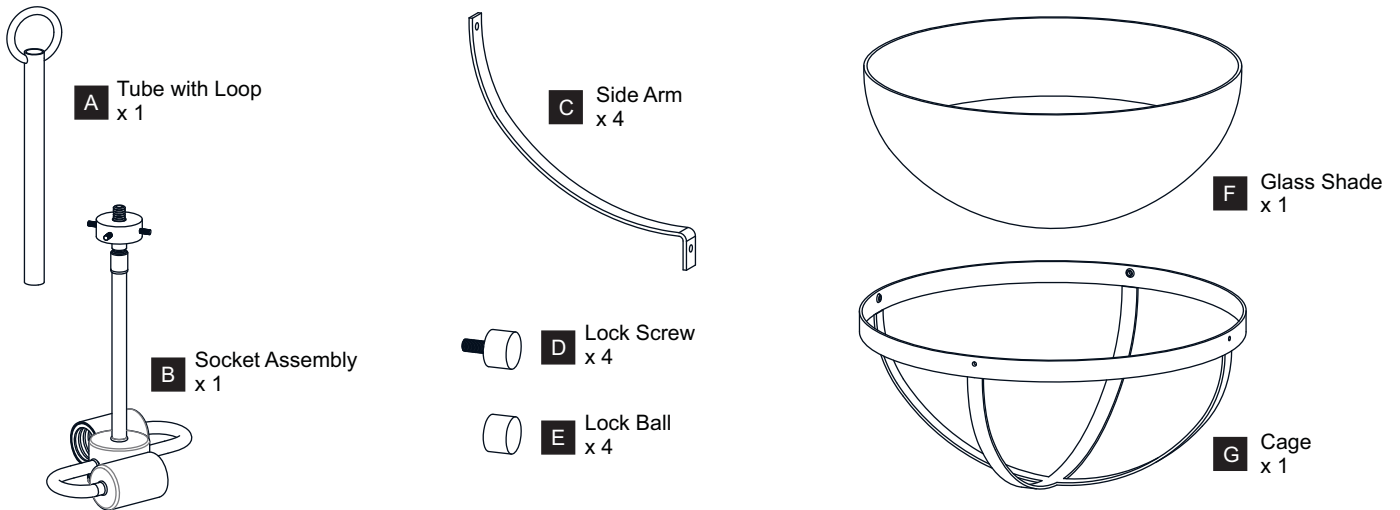


**CARE AND MAINTENANCE**

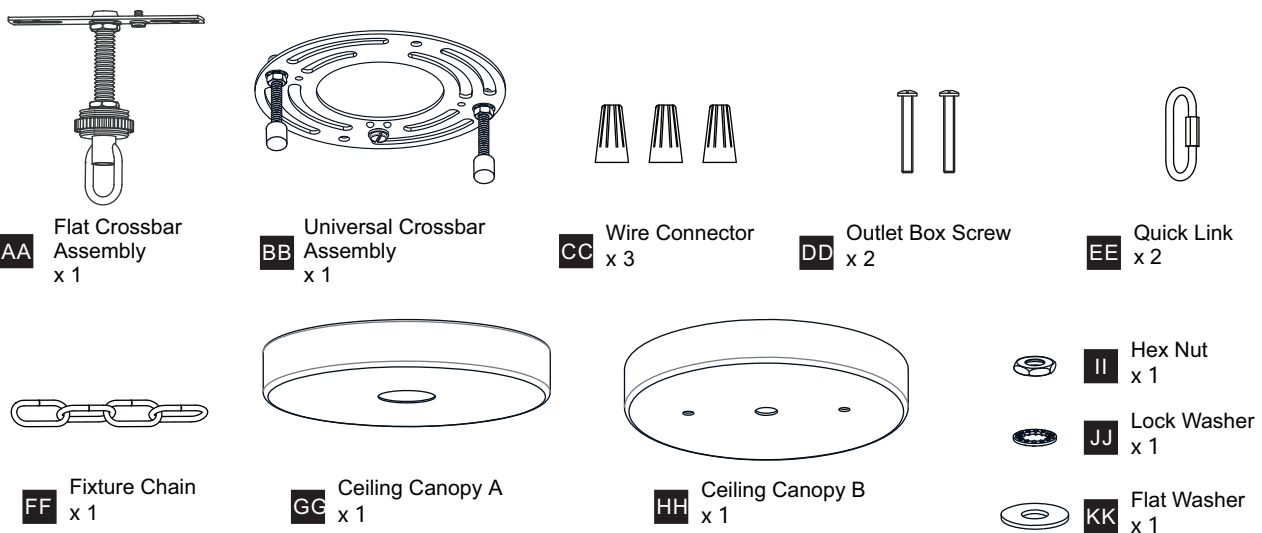
- Wipe clean using soft, dry cloth or static duster. Always avoid using harsh chemicals and abrasives to clean fixture as they may damage the finish.

If you need further assistance call Quoizel Customer Care at 1-800-645-3184 (9:00am - 5:00pm EST), or visit us on-line at [www.quoizel.com](http://www.quoizel.com).

**PACKAGE CONTENTS**



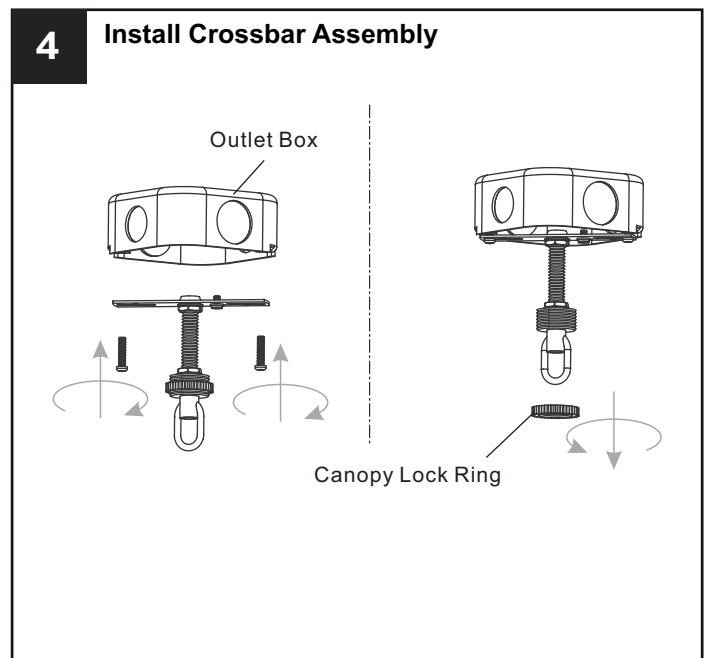
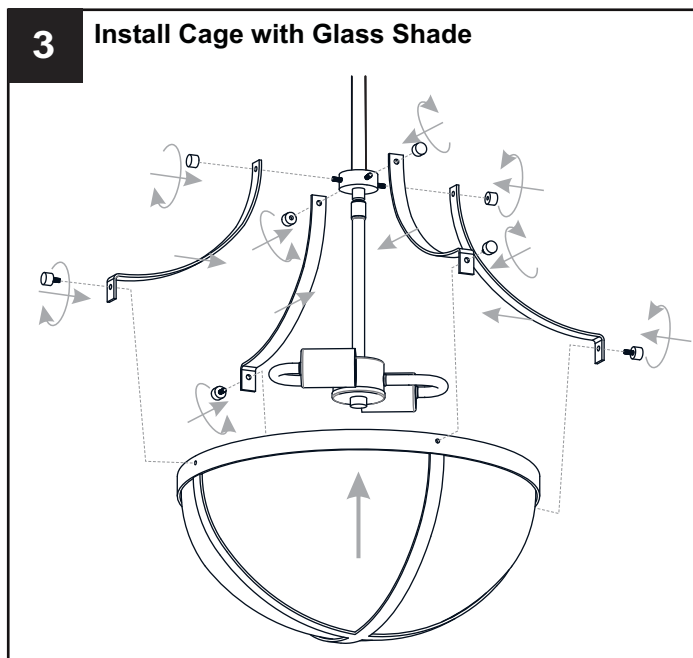
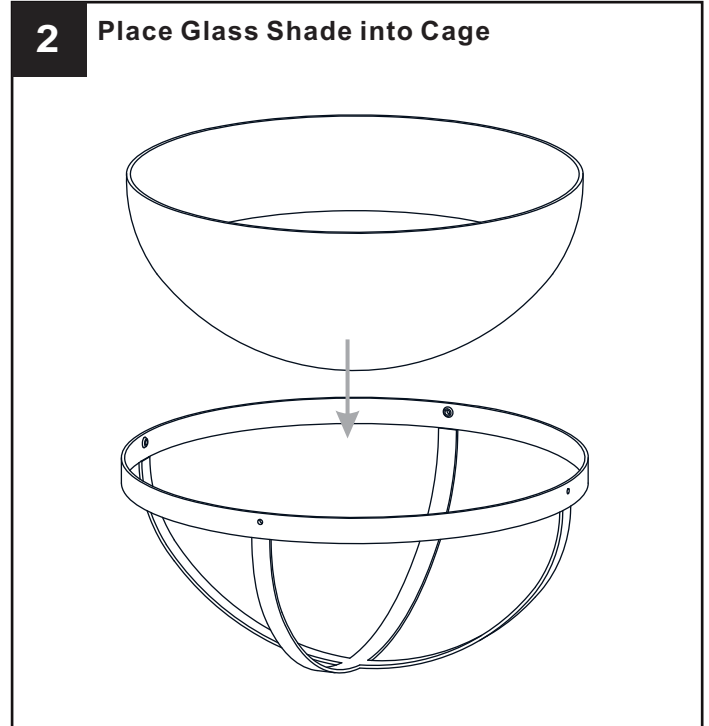
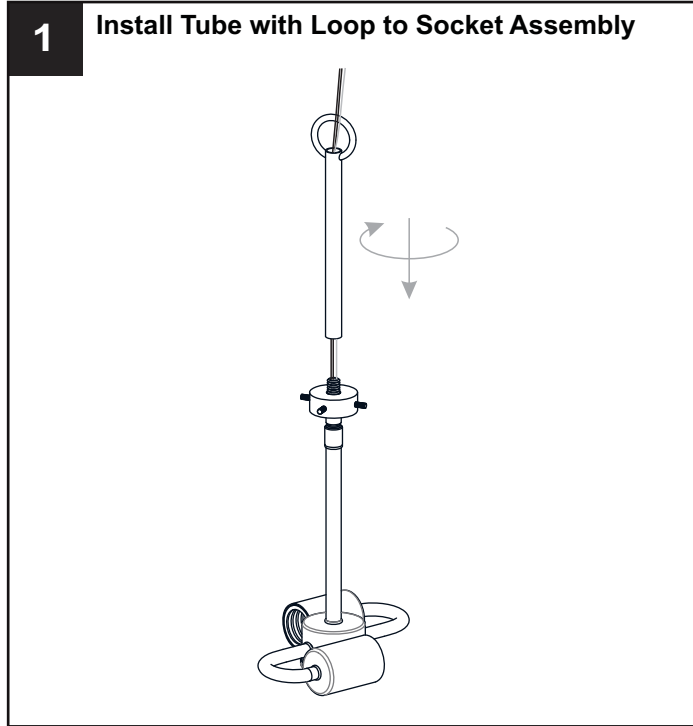
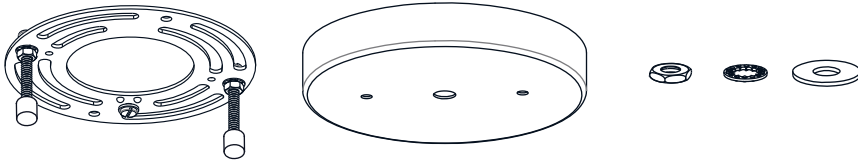
**MOUNTING HARDWARE**



# INSTALLATION

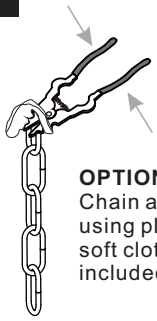
## OPTION 1: PENDANT - ATB2814BN, ATB2814MBK

\* Set aside *Universal Crossbar Assembly, Ceiling Canopy B, Hex Nut, Lock Washer and Flat Washer* since they are not required for the semi-flush installation.



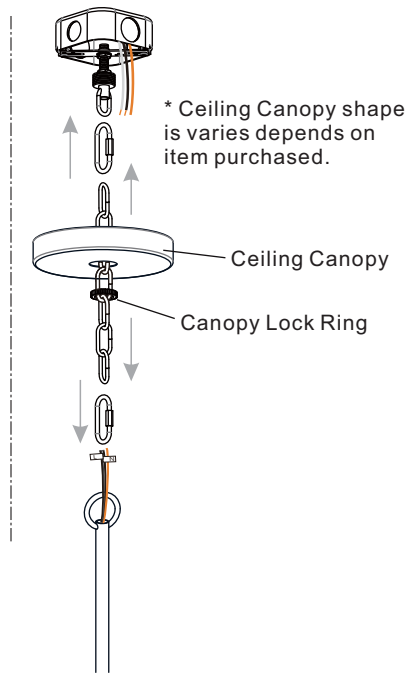
# INSTALLATION

## 5 Install Fixture Chain



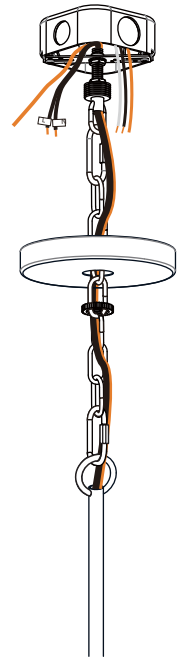
**OPTIONAL:** Adjust Chain as desired, using pliers and soft cloth (neither included).

Suggested chain length for Ceiling height:  
 8 feet ceiling: use 10 links of chain and 2 quick links  
 9 feet ceiling: use 20 links of chain and 2 quick links  
 10 feet ceiling: use 30 links of chain and 2 quick links.

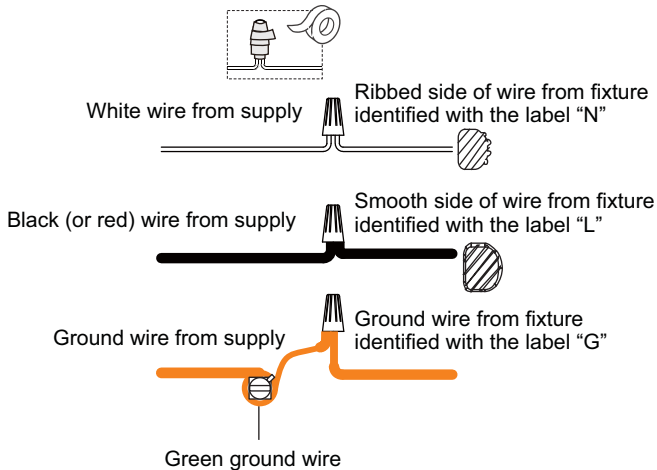


## 6 Pull Supply Wires

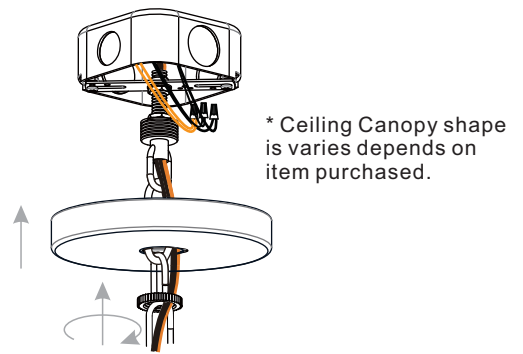
Pull the supply wires with ground wire through the chain alternate links.



## 7 Wiring



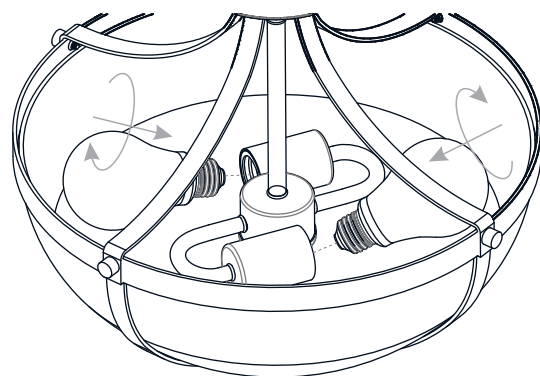
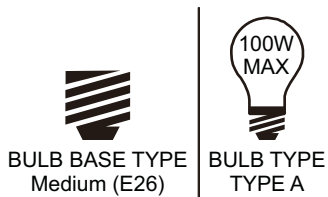
## 8 Install Ceiling Canopy



## 9 Install Bulbs

Install two correct bulbs referring to fixture markings and/or labels for maximum wattage.

**Recommended Bulb type (not included):**



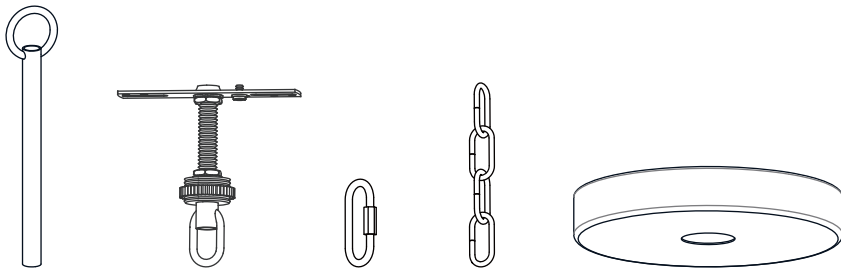
**Your installation is now complete! Restore electricity and save this sheet for future reference.**

## INSTALLATION

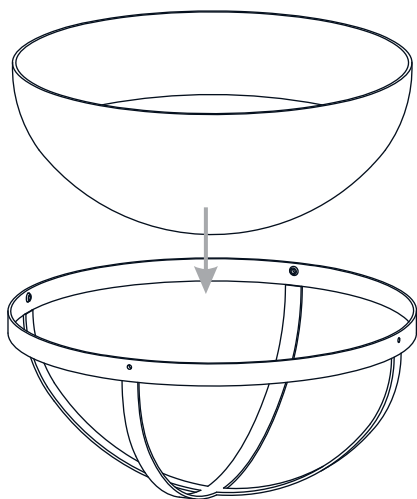
**IMPORTANT:** This CONVERTIBLE fixture can be mounted as pendant light or semi-flush light. **DO NOT CUT SUPPLY WIRES** if you intend to use it as pendant light.

### OPTION 2: SEMI-FLUSH - ATN1714BN, ATN1714MBK

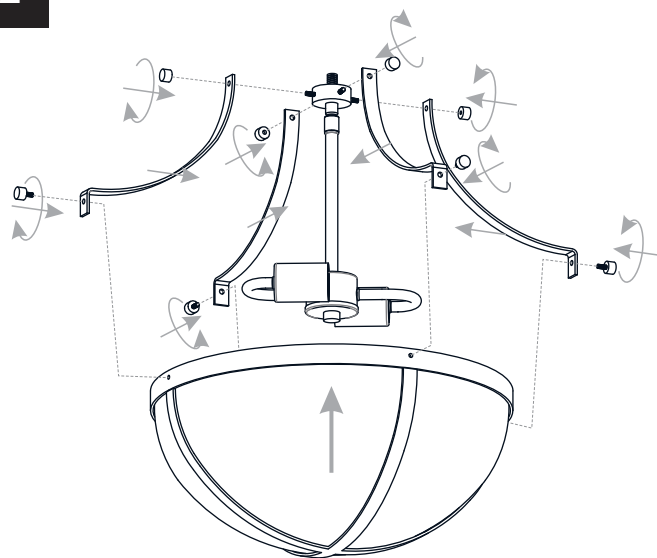
\* Set aside *Tube with Loop, Flat Crossbar Assembly, Quick Link, Fixture Chain* and *Ceiling Canopy A* since they are not required for the semi-flush installation.



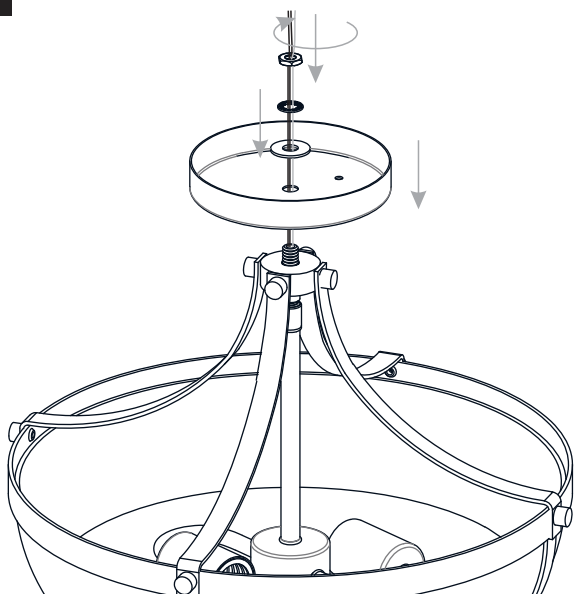
#### 1 Place Glass Shade into Cage



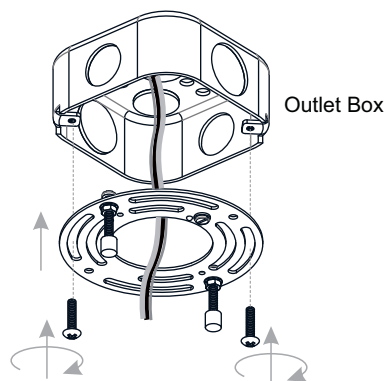
#### 2 Install Cage with Glass Shade



#### 3 Install Ceiling Canopy B



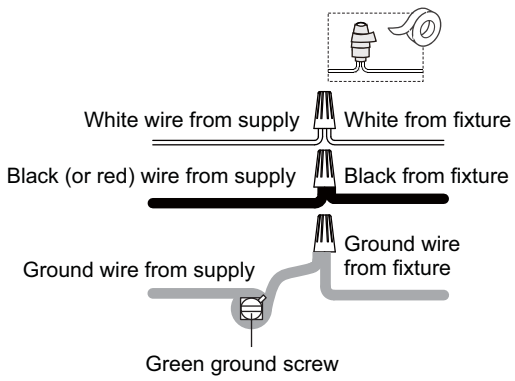
#### 4 Install Crossbar Assembly



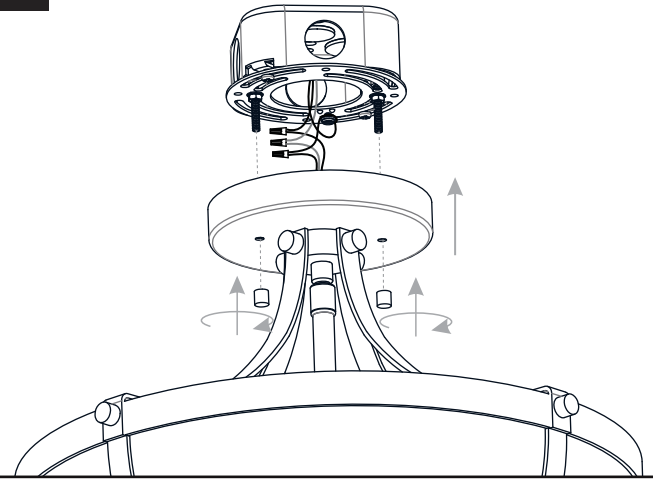
# INSTALLATION

## 5 Wiring

Cut supply wires and leave approximately 8" from ceiling canopy.



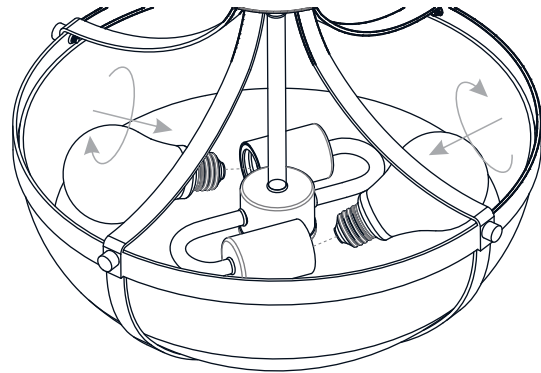
## 6 Install Ceiling Canopy to Crossbar Assembly



## 7 Install Bulbs

Install two correct bulbs referring to fixture markings and/or labels for maximum wattage.

**Recommended Bulb type (not included):**



**Your installation is now complete! Restore electricity and save this sheet for future reference.**