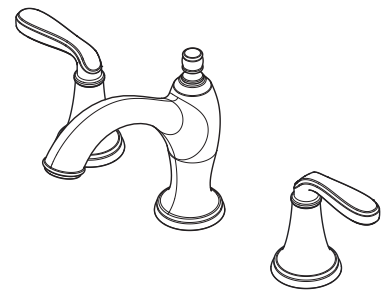


- LG49-MGOC Finish(C)
- LG49-MGOK Finish(K)
- LG49-MGOY Finish(Y)



Specifications

- High Temperature Limit Stop
- Pforever Seal

Features

- 1.2 GPM Flow Rate
- Fixed Hubs
- Metal Pop-Up Drain
- PVD Finish (K Finish Only)
- Pforever Seal Ceramic Disc Valves
- Pforever Warranty®

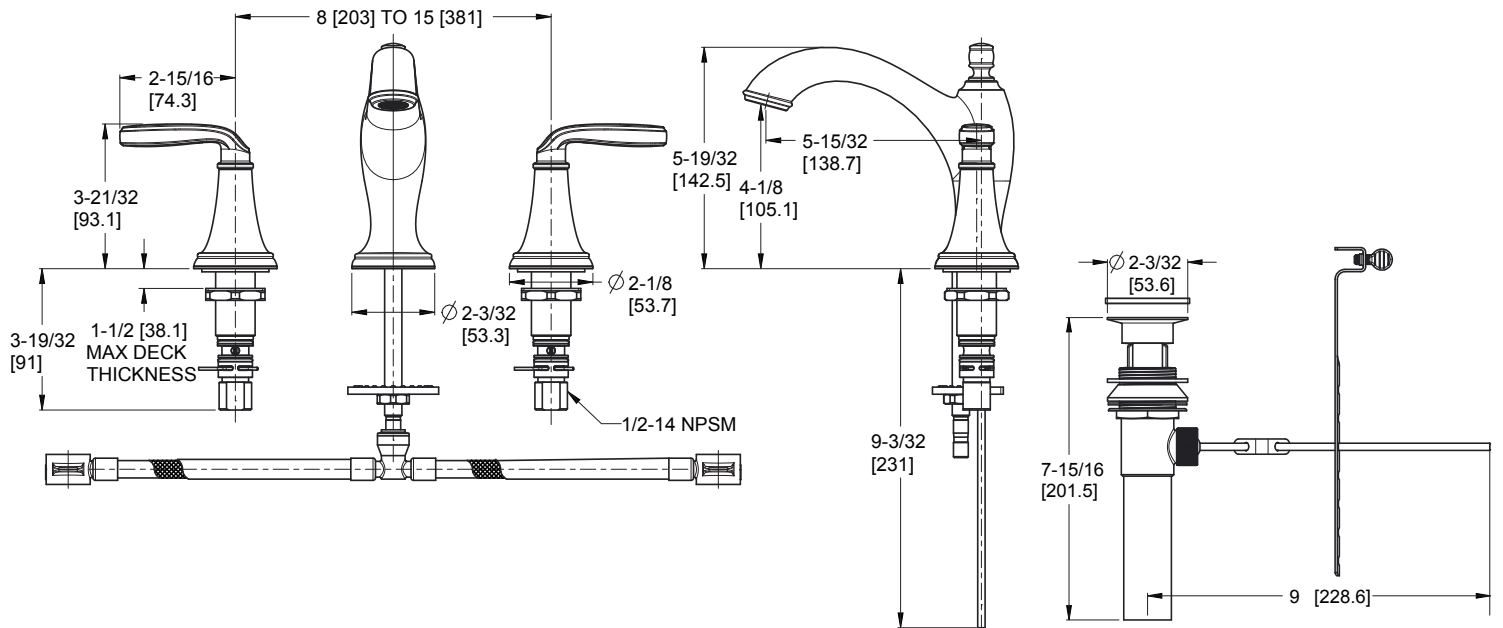
Code Compliance

Pfister products are designed and manufactured in compliance with the following standards and codes:

- IAPMO Certified
- CSA B125 Certified
- ASME A112.18.1
- Cal Green Compliant
- CEC Compliant
- NSF 61/9 Annex G (Low lead)
- EPA WaterSense Certification 1.2 gpm, 4.5 L/Min
- ADA Compliant-ANSI A117.1 (Lever handles only)



Dimensions



Metal Pop-Up Drain

ϕ 1-1/4 Min to ϕ 1-1/2 Max. Deck Hole Openings