

- LG49-MCAOB Finish(B)
- LG49-MCAOC Finish(C)
- LG49-MCAOGS Finish(GS)
- LG49-MCAOY Finish(Y)

Specifications

Features

- 1.2 GPM Flow Rate
- Spot Defense™ Finish Resists Spots and Fingerprints (GS Finish Only)
- Adjustable 3-Hole Installation
- Copper Inlet Line Kit Included
- Fixed Hubs
- Pfaster Connect™ Supply Lines
- TiteSeal™ Technology
- Push & Seal™ Pop-Up
- Pforever Seal Ceramic Disc Valves
- Pforever Warranty®

- Fixed Hubs
- Push & Seal™ Pop-Up
- Pforever Seal

Code Compliance

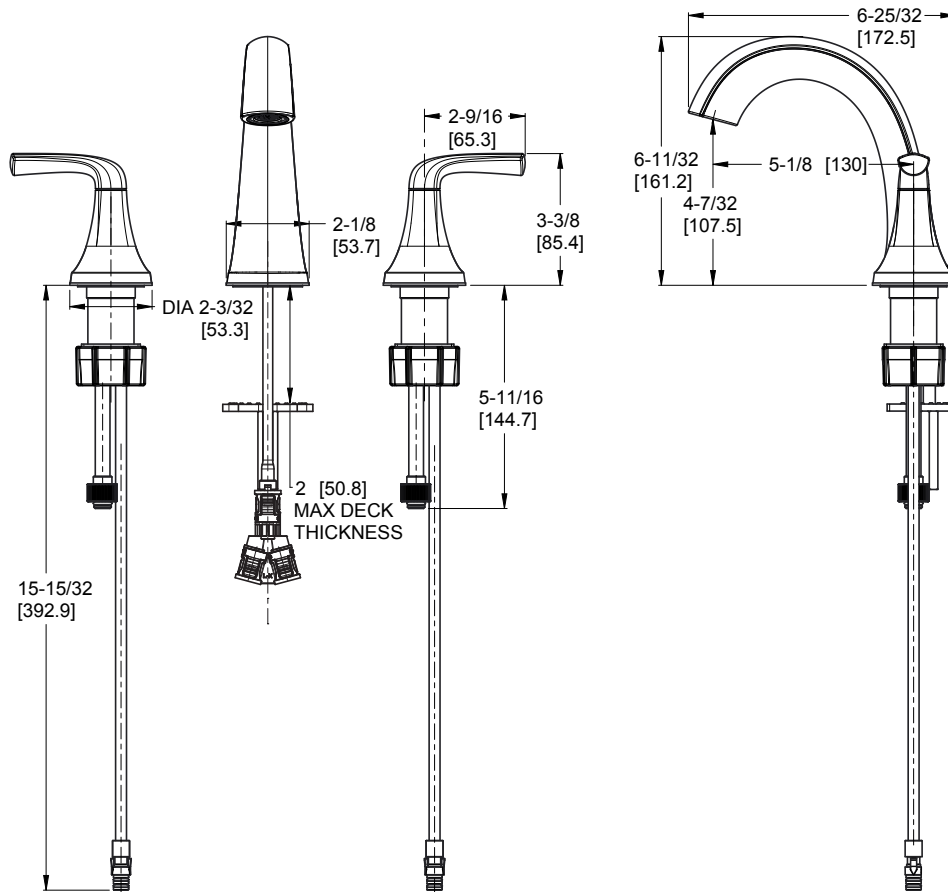


Pfister products are designed and manufactured in compliance with the following standards and codes:

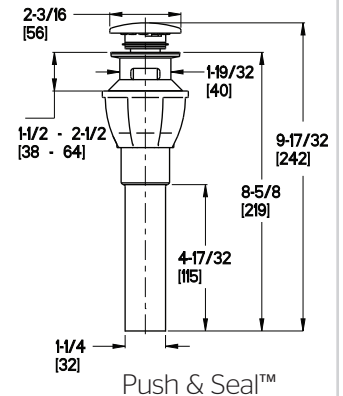
- IAPMO Certified to ASME A112.18.1/CSA B125.1
- NSF 61/9 AnnexG Certified
- EPA WaterSense Certified
- CEC Certified/CALGreen compliant
- ADA Compliant - ANSI A117.1 (Lever Handles Only)



Dimensions



Optional Aerators Available	
GPM	Part Number
0.35 GPM	941-4370
0.5 GPM	941-4320
1.0 GPM	941-4440



Push & Seal™

Ø1-1/4 Min to Ø1-1/2 Max. Deck Hole Openings