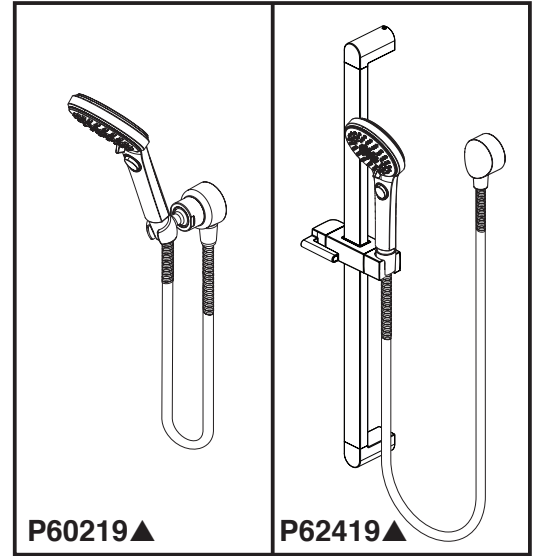
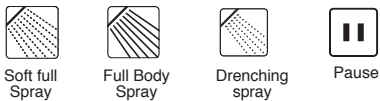


▲ Designate Proper Finish Suffix

### Spray Pattern



### HAND SHOWER

- 4-Spray Setting Hand Shower
- Touch-Clean® Nozzles

### STANDARD SPECIFICATIONS:

- Max flow rate 1.5 gpm @ 80 psi, 5.7 L/min @ 550 kPa
- Easy turn dial to change hand shower spray settings, pause with pushbutton.
- Hand held shower with four spray settings - pause is a non-positive shut-off
- 72" (1829 mm) Stainless steel hose
- Wall mount bracket for hands-free showering
  - P60219 only
- 25 1/2" (647 mm) wall bar with adjustable slide
  - P62419 only

### WARRANTY

- Parts and Finish - Lifetime limited warranty; or for commercial purchasers, 10 years for multi-family residential (apartments and condominiums) and 5 years for all other commercial uses, in each case from the date of purchase.



### COMPLIES WITH

- ASME A112.18.1 / CSA B125.1
- ♿ Indicates compliance to ICC/ANSI A117.1
- EPA WaterSense®