



OATEY QUIET PIPES® WATER HAMMER ARRESTORS SIZE A-F

Job Name _____	Item # _____
Location _____	
Engineer _____	Contractor _____
PO # _____	Tag _____
Representative _____	

SPECIFICATIONS

Oatey Quiet Pipes Hammer Arrestors shall be installed in any diameter pipe supply application which could experience water hammer due to quick closing valves or faucets. Arrestor chambers shall be specifically sized to accommodate and dissipate energy generated by such valves and faucets. Arrestors shall be effective when installed at any angle. Arrestor shall be lead-free, made of copper and include a polypropylene piston with two NBR o-rings. Arrestors shall be ANSI/ASSE1010-2004 certified and approved for installation with no access panel required.

FEATURES & MATERIALS

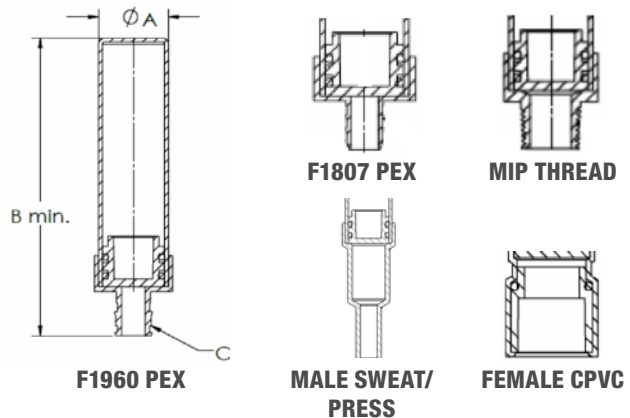
Arrestor Body	Copper (Type K)
Piston	Polypropylene with two NBR O-rings
Piston Lubrication	Dow Corning Molykote 111
Fittings Available	Male Sweat/Press, Female CPVC, MIP, F1807 PEX & F1960 PEX (no lead brass C46400)

PERFORMANCE SPECIFICATIONS

Temperature Range	33° - 180° F
Max Working Pressure	0-400 PSI

LISTINGS & CODE APPROVALS

ANSI/ASSE1010-2004
cUPC
PDI WH-201-2017



DIMENSIONS

Arrestor Size	A	A	A	A	A	B	B	B	B	B	C	C	C	C	C	D	D	E	E	F	F
Product #:	34476	34481	34482	34499	34491	34500	34484	34492	34493	34495	34477	34485	34501	34494	34496	34502	34497	34479	34503	34480	34504
Arrestor Body Diameter [A]:	1.125"	1.125"	1.125"	1.125"	1.125"	1.125"	1.125"	1.125"	1.125"	1.125"	1.375"	1.375"	1.375"	1.375"	1.375"	1.625"	1.625"	2.125"	2.125"	2.125"	2.125"
Overall Height [B]:	4.78"	4.76"	4.68"	6.73"	4.93"	7.31"	5.39"	5.82"	5.32"	5.6"	6.94"	6.74"	8.45"	6.57"	6.96"	10.08"	8.10"	9.24"	11.00"	11.23"	13.00"
Fitting Type [C]:	F1960 PEX	MIP	F1807 PEX	Male Sweat/Press	Female CPVC	Male Sweat/Press	MIP	Female CPVC	F1807 PEX	F1960 PEX	Female CPVC	MIP	Male Sweat/Press	F1807 PEX	F1960 PEX	Male Sweat/Press	MIP	MIP	Male Sweat/Press	MIP	Male Sweat/Press
Fitting Size [C]:	1/2"	1/2"	1/2"	1/2"	1/2"	3/4"	3/4"	3/4"	3/4"	3/4"	1"	1"	1"	1"	1"	1"	1"	1"	1"	1"	1"

*Limited Lifetime Warranty – See Oatey.com/warranty for details.

Access BIM/Revit content through Oatey.com



OATEY QUIET PIPES® WATER HAMMER ARRESTORS SIZE A-F

Job Name _____	Item # _____
Location _____	
Engineer _____	Contractor _____
PO # _____	Tag _____
Representative _____	

PRODUCT SELECTOR

QUIET PIPES® WATER HAMMER ARRESTORS SIZE A-F			
✓	Product Number	Description	CTN. QTY.
	34476	Quiet Pipe Hammer Arrestors, 1/2", F1960 PEX, A	12
	34481	Quiet Pipe Hammer Arrestors, 1/2", MIP, A	12
	34482	Quiet Pipe Hammer Arrestors, 1/2", F1807 PEX, A	12
	34499	Quiet Pipe Hammer Arrestors, 1/2", Male Sweat/Press Fitting, A, Straight	12
	34491	Quiet Pipe Hammer Arrestors, 1/2", Female CPVC, A	24
	34500	Quiet Pipe Hammer Arrestors, 3/4", Male Sweat/Press Fitting, B, Straight	12
	34484	Quiet Pipe Hammer Arrestors, 3/4" MIP, B	30
	34492	Quiet Pipe Hammer Arrestors, 3/4" Female CPVC, B	24
	34493	Quiet Pipe Hammer Arrestors, 3/4" F1807 PEX, B	30
	34495	Quiet Pipe Hammer Arrestors, 3/4" F1960 PEX, B	30
	34477	Quiet Pipe Hammer Arrestors, 1" Female CPVC, C	12
	34497	Quiet Pipe Hammer Arrestors, 1" MIP, D	6
	34485	Quiet Pipe Hammer Arrestors, 1" MIP, C	24
	34501	Quiet Pipe Hammer Arrestors, 1", Male Sweat/Press Fitting, C, Straight	6
	34494	Quiet Pipe Hammer Arrestors, 1" F1807 PEX, C	24
	34496	Quiet Pipe Hammer Arrestors, 1" F1960 PEX, C	24
	34502	Quiet Pipe Hammer Arrestors, 1", Male Sweat/Press Fitting, D, Straight	6
	34479	Quiet Pipe Hammer Arrestors, 1" MIP, E	6
	34503	Quiet Pipe Hammer Arrestors, 1", Male Sweat/Press Fitting, E, Straight	6
	34480	Quiet Pipe Hammer Arrestors, 1" MIP, F	6
	34504	Quiet Pipe Hammer Arrestors, 1", Male Sweat/Press Fitting, F, Straight	6

*Limited Lifetime Warranty – See Oatey.com/warranty for details.

Access BIM/Revit content through Oatey.com