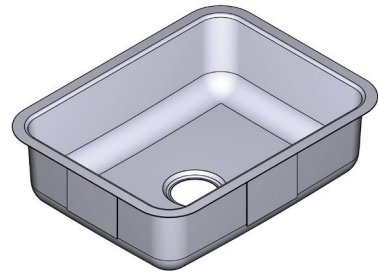


Model Number	Faucet Holes	Depth-Inches	Drain Placement	ADA/FHA Compliant
GS20166	N/A	7"	Center	FHA
GS20167B	N/A	5-1/2"	Rear (Center)	ADA/FHA



SINK DESCRIPTION

- Single bowl undermount sink
- 20 gauge stainless steel, brushed finish
- Undermount hardware included
- SoundSHIELD™ sound absorbing system

WARRANTY

- Lifetime limited warranty to the original homeowner
- 10 year limited warranty when used in a Multi-family installation
- 5 year limited warranty when used in a Commercial installation
- Visit www.moen.com/customer-support/warranty for complete details and limitations

SINK DIMENSIONS

- Minimum Cabinet Size: 27"
- Overall: 23-1/8" X 17-7/8"
- Bowl: 21" x 15-3/4"
- Drain Size: 3-1/2"
- Sink Radius: R50

CUT OUT DIMENSIONS

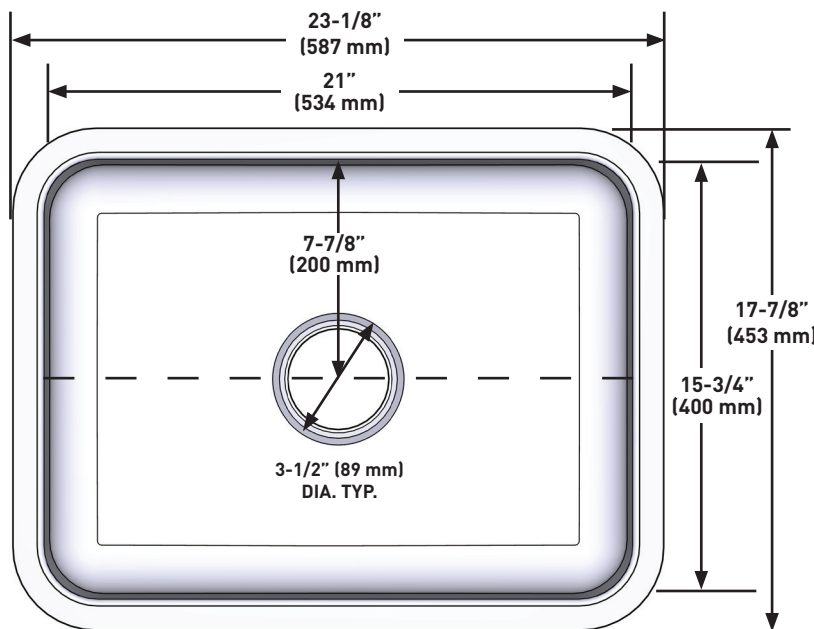
- Cut out template included

STANDARDS

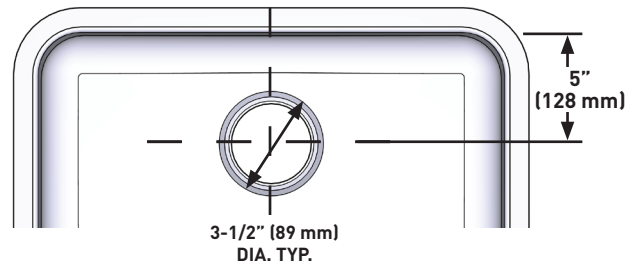
- Third party certified to meet ASME A112.19.3/CSA B45.4 and all applicable specifications referenced therein
- ***ADA/FHA** Sink compliant to ADA (ICC A117.1) and FHA accessibility specifications when installed to these required standards. Always consult with your local building department for the specific installation requirements.
- ***FHA** Sink compliant to FHA accessibility specifications when installed to these required standards. Always consult with your local building department for the specific installation requirements.

CRITICAL DIMENSIONS

[DO NOT SCALE]



Rear Configuration



Installation Detail

