

# INSTALLATION INSTRUCTIONS

Item #841 Rev. 02/27/2012

## READ AND SAVE THESE INSTRUCTIONS

**WARNING! SHUT POWER OFF AT FUSE OR CIRCUIT BREAKER.**

**AVERTISSEMENT! COUPER LE COURANT AU NIVEAU DES FUSIBLES OU DU DISJONCTEUR.**

### MOUNTING THE BACKPLATE (Fig.1)

1. Shut off the power at the circuit breaker and remove old fixture, including the mounting hardware.
2. Carefully unpack your new fixture and lay out all the parts on a clear area. Take care not to lose any small parts necessary for installation.
3. Attach the Crossbar (A) to the junction box using two Junction Box Screws (B) (Size: #8-32N\*L0.5"). The side of the Crossbar marked "GND" must face out.
4. Thread the Nipple (C) part way into the center hole of the Crossbar (A).

### CONNECTING THE WIRES (Fig. 2)

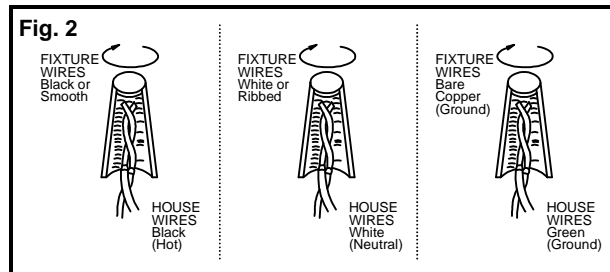
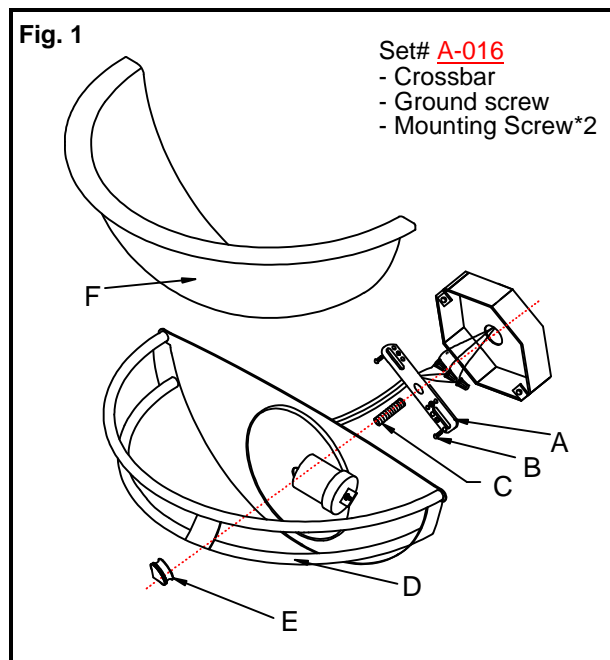
5. Connect the electrical wires as shown in (Fig.2), use wire connectors to secure the connections. If you outlet has a ground wired (green or bare copper) connect fixture's ground wire to it. Otherwise connect fixture's ground wire directly to the crossbar using the green screw provided.

### MOUNTING FIXTURE AND SHADE (Fig.1)

6. After the wires are connected, carefully tuck them inside the junction box as you place the Fixture Body (D) over the Nipple (C). Secure the Fixture Body (D) against the wall using Knurled Cap (E).
7. Place the Glass Shade (F) into the Fixture Body (D).
8. Install light bulbs in accordance with fixture specifications, **(DO NOT EXCEED THE MAXIMUM WATTAGE RATING!)** (NE PAS DEPASSER LA PUISSANCE NOMINALE MAXIMALE!)

Your installation is now complete. Return power to the junction box and test the fixture.

**Note: Illustration (Fig. 1) on this manual is for installation purposes only. It may or may not be identical to the fixture purchased.**



**MIN 90°C SUPPLY CONDUCTORS**

