

INSTALLATION INSTRUCTIONS FOR FIXTURE 6961

**WARNING! SHUT POWER OFF AT FUSE OR CIRCUIT BREAKER.
AVERTISSEMENT! COUPER LE COURANT AU NIVEAU DES FUSIBLES OU DU DISJONCTEUR.**

MOUNTING THE FIXTURE

1. Shut off the power supply at the fuse box or circuit breaker. If necessary, remove the old fixture from wall including the mounting hardware.
2. Carefully remove the new fixture from the carton and check that all parts are included as shown in the illustration.
3. Thread the nipple (C) into the mounting strap (A).
4. Place the washer (F) and lock nut (E) over the nipple protruding through the mounting strap and thread lock nut (E) tightly onto nipple (C).
5. Attach the mounting strap (A) to the outlet box using the outlet box screws (B). The side of the mounting plate marked "GND" must face out.
6. Follow the wiring instructions carefully (See Fig.2).
7. Attach the fixture back plate (L) over the mounting strap (A) allowing the nipple (C) to protrude through the center hole of the back plate (L). Then secure with finial (K).
8. Place the glass shade (I) and cushion ring (H) over the socket (J) and secure with socket ring (G).
9. Install the bulb in accordance with fixture's specifications. **(DO NOT EXCEED THE MAXIMUM WATTAGE RATING!) (NE PAS DEPASSER LA PUISSANCE NOMINALE MAXIMALE!).**

CONNECTING THE WIRES (See fig. 2)

1. At this point, connect the electrical wires as shown in Fig. 2, making sure that all wire connectors are secured. If your outlet box has a ground wire (green or bare copper), connect the fixture's ground wire to it. Otherwise, connect the fixture's ground wire directly to the mounting strap using the green screw provided.
2. Tuck the wire connections neatly into the wall junction box.

Your installation is now complete. Return power to the outlet box and test the fixture.

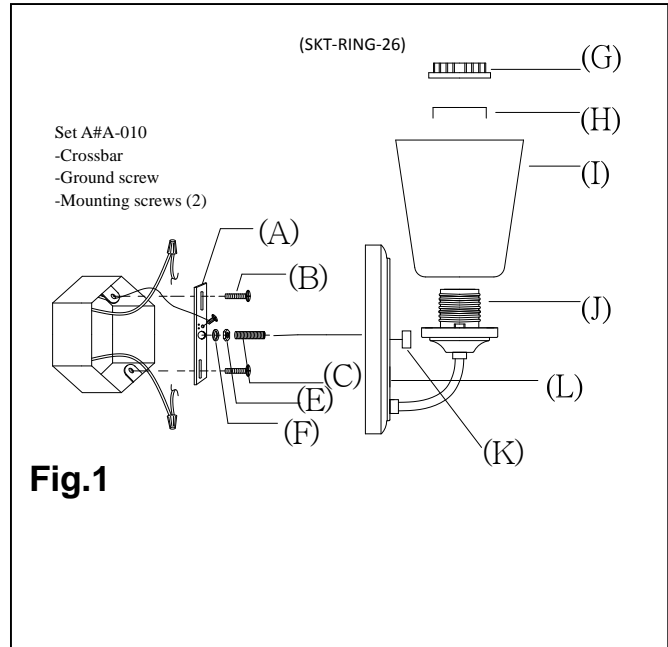


Fig.1

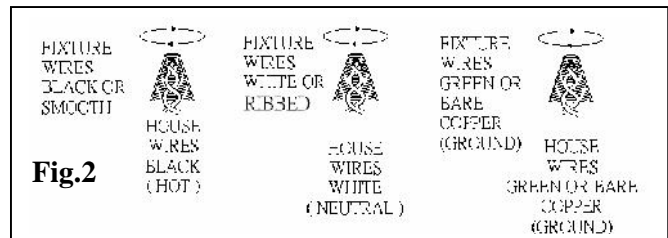


Fig.2

