

For Wall Mount Fixture

©Minka Lighting, Inc.

This product is protected by United States Federal and/or State Law, including Patent and/or Copyright laws.

WARNING! SHUT POWER OFF AT FUSE OR CIRCUIT BREAKER .
AVERTISSEMENT! COUPER LE COURANT AU NIVEAU DES FUSIBLES OU DU DISJONCTEUR.

MOUNTING THE FIXTURE

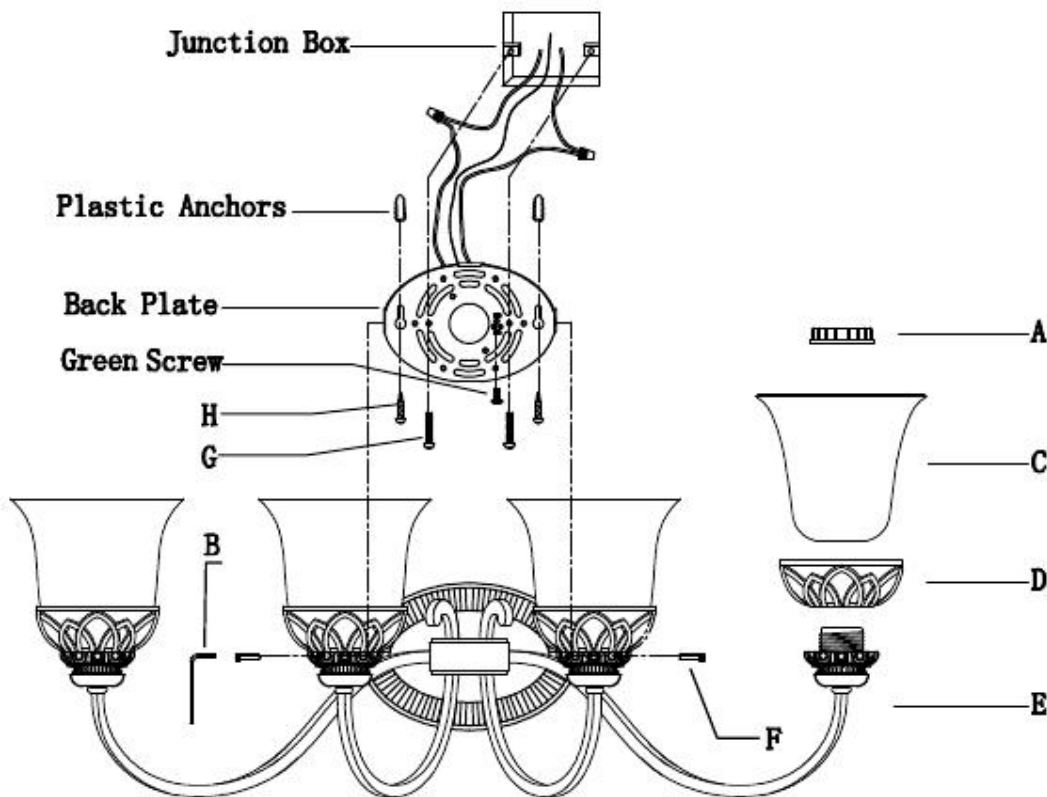
Installation (see fig.1)

1. Disconnect power at main electrical panel before installation.
2. Mount the back plate to the wall with the plastic anchors , the wood screw (H) and the two box screw (G). The side of the back plate marked "GND" must face out.
3. Pull fixture wires through hole in center of back plate.
4. Follow wiring instructions carefully (see fig. 2)
5. Place the fixture body (E) over the back plate and lock it securely with the screw (F) using the tool (B).
6. Attach the metal trim (D), the glass shade (C) onto the socket of fixture body (E), and then lock it securely with the check ring (A).
7. Install the light bulbs (not included) in accordance with the fixture's specifications: **DO NOT EXCEED THE MAXIMUM WATTAGE RATING! (NE PAS DEPASSER LA PUISSANCE NOMINALE MAXIMALE!).**

Wiring (see fig.2)

1. Connect the electrical wires as follows. Connect the Black wire from the fixture to the black house (hot) Wire. Connect the white wire from the fixture to the white (neutral) house wire. Make sure all wire nuts are secured. You may wrap the connections with electrical tape. If your outlet box has a ground wire (green or bare copper) connect fixture's ground wire to it. Otherwise attach the bare copper fixture wire to the green ground screw on the circular strap.
2. Tuck the wire connections neatly into the wall junction box.

Fig.1



The figure is only for reference.

Fig.2

