

INSTALLATION INSTRUCTION FOR 4173

WARNING! SHUT POWER OFF AT FUSE OR CIRCUIT BREAKER .
AVERTISSEMENT! COUPER LE COURANT AU NIVEAU DES FUSIBLES OU DUDISJONCTEUR.
 READ AND SAVE THESE INSTRUCTIONS

ASSEMBLING THE FIXTURE (Fig. 2)

1. Carefully remove the fixture from the carton and check that all parts are included as shown in the illustration.
2. Shut off the power at the circuit breaker and remove old fixture, including the mounting hardware.

HANGING THE FIXTURE (Fig. 1)

3. Thread the nipple (E) into the ceiling loop (H) until snug.
4. Thread hex nut (D) onto nipple (E). Then place lock washer (C) over end of nipple (E).
5. Thread other end of nipple (E) with loop (H) into mounting bar (A) until snug.
6. Take the mounting bar (A) assembly and mount to ceiling junction box with the mounting screws (B) (Size:#8-32*0.6"L). The side of the mounting bar marked "GND" must face out.
7. Using proper chain pliers open one link of chain (I) and connect it to the fixture loop (J).
8. By measuring, determine connect number of links needed for desired hanging height.
9. Lace the fixture wires through the chain links, and slip screw collar ring (G) and canopy (F) over the chain
10. Open one link of the other end of the chain (I) and connect it to the ceiling loop (H).
11. Feed the fixture wires through the ceiling loop (H) and nipple (E) and pull until taut.

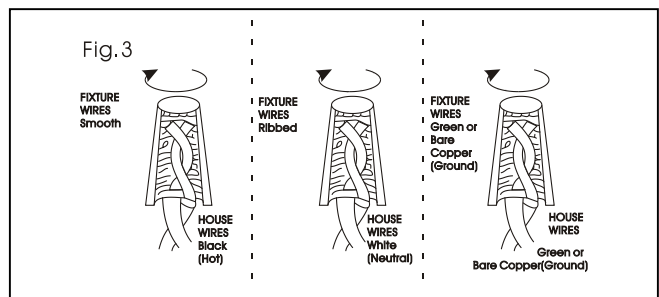
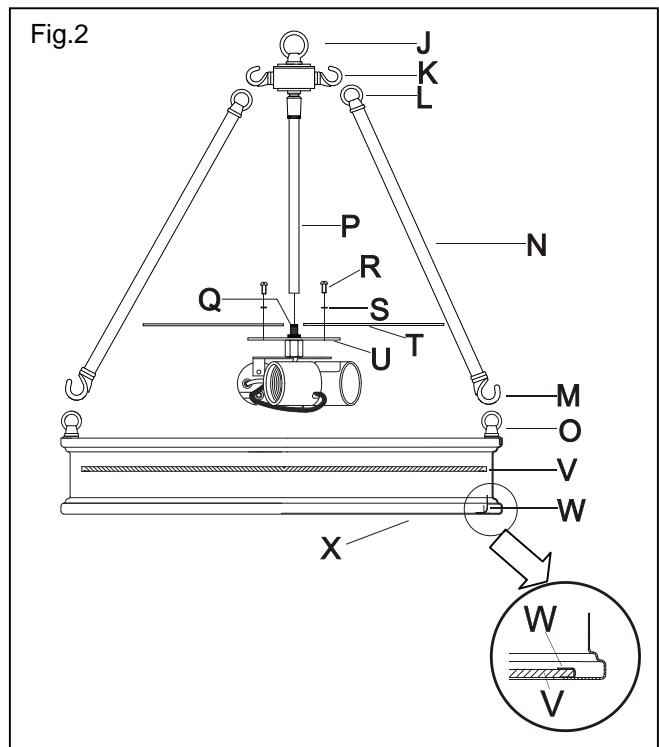
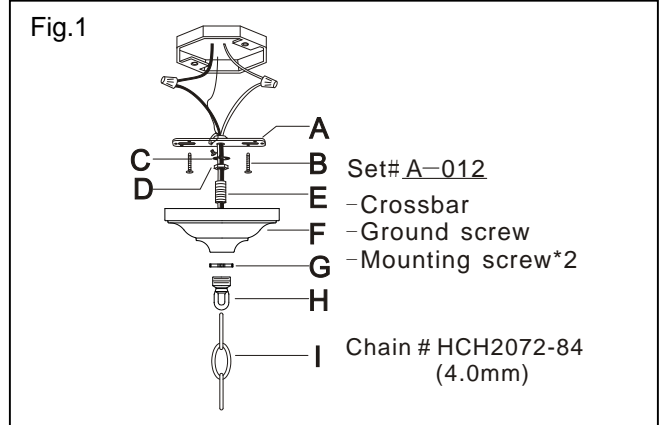
CONNECTING THE WIRES (Fig. 3)

12. At this point, connect the electrical wires as shown in Fig. 3, making sure that all wire connectors are secured. If your outlet box has a ground wire (green or bare copper), connect the fixture's ground wire directly to the mounting plate using the green screw provided. After the wires are connected, tuck them carefully inside the outlet box.

COMPLETING THE INSTALLATION (Fig.2)

13. Raise the canopy (F) all the way to the ceiling. Raise the screw collar ring (G) and thread onto ceiling loop (H) protruding through canopy (F). (Fig.1)
14. Place the diffuser (V) onto the fixture body (X). Then place the small steel sheet (W) of the fixture body (X) onto the diffuser (V).
15. Thread the pipe (P) onto the nipple (Q).
16. Place the hook (M) of the rods (N) onto the loop (O). Then the loop (L) of the rods (N) onto the hook (K).
17. Install the light bulb(s) in accordance with the fixture's specification. **(DO NOT EXCEED THE MAXIMUM WATTAGE RATING!) (NE PAS DEPASSER LA PUISSANCE NOMINALE MAXIMALE!).**
18. Secure glass panels (T) to iron plate (U) with the screws (R) and plastic washes (S).

Your installation is now complete. Return the power to the junction box and test the fixture.



Notice: It is important to use proper chain pliers (not included) To OPEN and CLOSE the chain included with this fixture. Do not open them with other tools that may twist or stress the chain links. It is important to use proper chain pliers like the ones shown in the diagram.

