

# INSTALLATION INSTRUCTIONS FOR 346

## For Wall Mount Fixture

**WARNING! SHUT POWER OFF AT FUSE OR CIRCUIT BREAKER BEFORE INSTALLATION.**  
**AVERTISSEMENT ! COUPER LE COURANT AUNIVEAU DES FUSIBLES OU DU DISJONCTEUR**

### MOUNTING THE FIXTURE (Fig. 1)

1. Shut off the power at the circuit breaker box (avertissement! couper le courant au niveau des fusibles ou du disjoncteur) and remove the old fixture, including the mounting hardware..
2. Carefully unpack your new fixture and lay out all the parts on a clear area. Take care not to lose any small parts necessary for installation.
3. Attach the crossbar (part#A-010) to the junction box with the two junction box screws (size:8-32\*1/2"L) as shown. The side of the crossbar marked "GND" must face out.
4. Thread the nipple part way into the center hole of the crossbar.
5. Connect the wires as described under "Connecting the Wires".
6. Place the fixture canopy over the nipple so the nipple protrudes through the center hole. Holding the fixture in place, thread the cap nut onto the end of the nipple until fixture is secured to the wall.

### CONNECTING THE WIRES (Fig. 2)

7. Connect the fixture wires to the junction box wires as shown in Fig. 2. Make sure all wire connectors are secured and do not easily pull off with a slight tug. If there is no green ground wire from the junction box, connect the fixture ground wire to the crossbar with the green screw provided.

### COMPLETING THE INSTALLATION (Fig. 1)

8. Install the light bulbs in accordance with the fixture's specification: **DO NOT EXCEED THE MAXIMUM WATTAGE RATING!** ( **NE PAS DEPASSER LA PUISSNCE NOMINALE MAXIMLE!** )
9. With the wide end on upper side, Slide the glass shade into the decorative glass holder (A).

Your installation is now complete. Return power to the junction box and test the fixture.

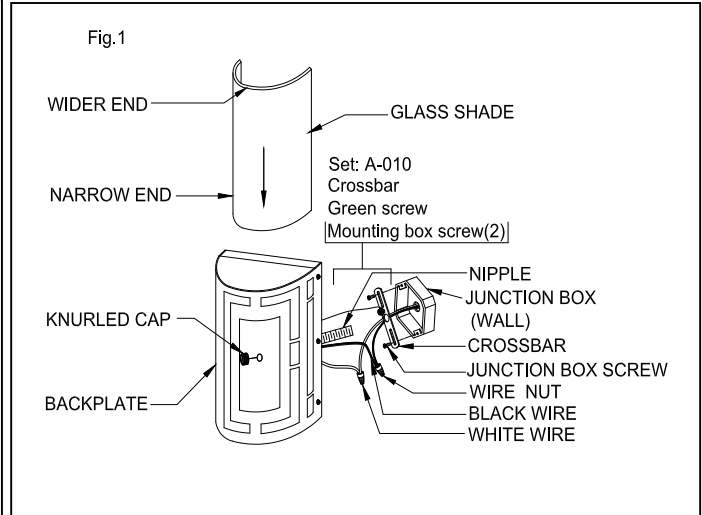
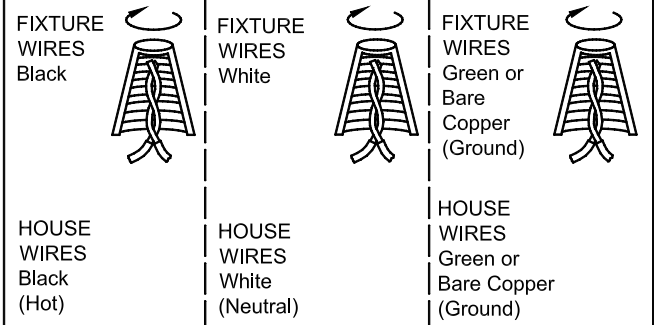


Fig .2



MIN 90°C SUPPLY CONDUCTORS

**IMPORTANT: FIXTURE SHOULD BE INSTALLED BY A QUALIFIED ELECTRICIAN TO ENSURE PROPER WIRING AND INSTALLATION.**