

M14902, M14903

INSTALLATION INSTRUCTIONS SHEET

START FROM HERE

- Make sure power is completely off at the fuse box.
- Have your fixture installed by a qualified licensed electrician
- Prepare everything in clear area.
- Wear gloves at all times during this installation.
- Read instructions carefully before you start assembly.
- Keep this instruction sheet for future reference.

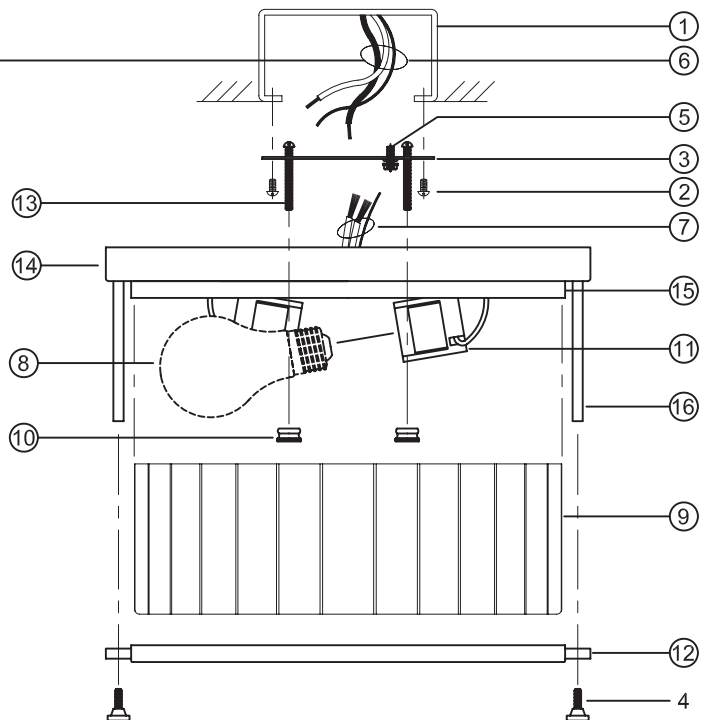
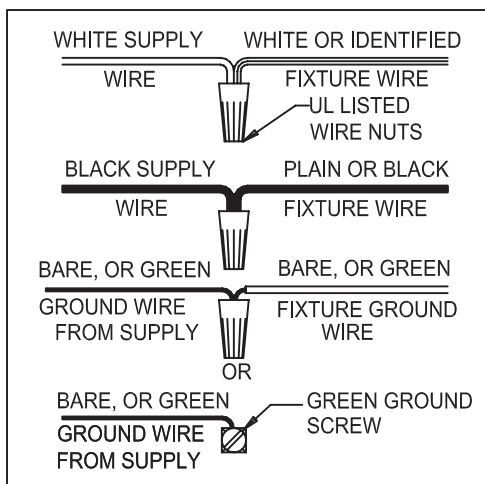
Technical Support: 1-844-628-8368

Please Note:

- All Matteo Lighting fixtures come with pre-wired module(s).
- Unless instructed to do so, please do not touch any part of the module(s) as any unnecessary contact with the module could cause permanent damage.

THIS LUMINAIRE MUST BE MOUNTED OR SUPPORTED INDEPENDENTLY OF AN OUTLET BOX

CE LUMINAIRE NE DOIT PAS ETRE MONTE SUR UNE BOITE DE SORTIE NI SUPPORTE PAR UNE TELLE BOITE



- 1 Ensure main supply is switched off.
- 2 Install green screw(5) and installing screws(13) into mounting strap(3), fix the mounting strap(3) into the J-box(1)(not provided) using screws(2).
- 3 Connect wires(6)(7) using wire nuts, have the ceiling pan holes through the installing screws(13), and tighten it using nuts(10).
- 4 Install the lamp(8)(not provided) to the socket(11), put the metal ring(12) on the glass shade(9) bottom, and put the glass shade(9) into the groove(15) of ceiling pan(14), then install metal ring(12) into supporting tube(16) using screws(4).