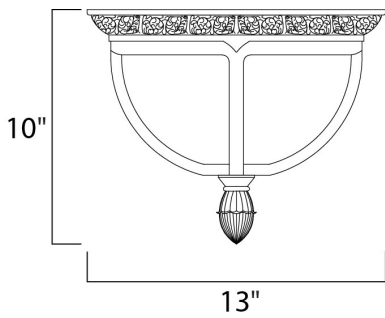




PRODUCT DESCRIPTION

Knob Hill Cast is a traditional, European style collection from Maxim Lighting International in Sienna finish with Seedy glass.



MEASUREMENTS

DIMENSION : 13" L x 13" W x 10" H
 HANGING WEIGHT : 7.5 lb

LAMPING

INPUT VOLTAGE : 120V
 LUMENS : 1,600 Rated
 BULB : 2 x 40W Incandescent E26 Medium , 80W Total
 BULB INCLUDED : (Not Included)
 DIMMABLE : Yes

FINISHES OPTION

 Sienna

GLASS

Seedy CD

MATERIAL

Die Cast Aluminum

RATINGS

cETLus
 Damp Location



ADDITIONAL

RATED LIFE 2500 Hours
 OPERATING TEMPERATURE:
 -20°C (-4°F), 40°C (104°F)

Always consult a qualified electrician before installing any lighting product.



WESTERN DISTRIBUTION CENTER (HEADQUARTER)
 253 NORTH VINELAND AVE | CITY OF INDUSTRY, CA 91746

EASTERN DISTRIBUTION CENTER
 4200 SHIRLEY DR. | ATLANTA, GA 30336

P. 626.956.4200 | F. 626.956.4225 | maximlighting.com