



**PRODUCT DESCRIPTION**

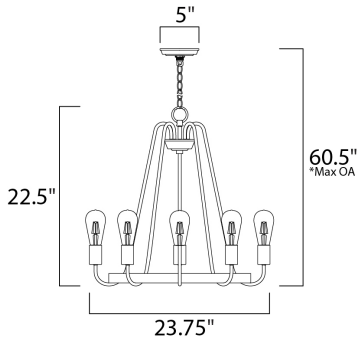
Arms that gracefully descend from a collector cradle a round metal band that can be removed for a minimalistic look. Available in two finish combinations: Black with Satin Nickel Accents and Oil Rubbed Bronze with Antique Brass accents.

**MEASUREMENTS**

DIMENSION : 23.75" L x 23.75" W x 22.5" H  
 MAX OAH : 60.5" OAH  
 CANOPY : 5" W x 0.75" H  
 HANGING WEIGHT : 6.11 lb  
 WIRE LENGTH : 120"


**LAMPING**

INPUT VOLTAGE : 120V  
 LUMENS : 0 Rated  
 BULB : 5 x 60W Incandescent E26 Medium , 300W Total  
 BULB INCLUDED : (Not Included)  
 DIMMABLE : Yes



\*max overall height

**FINISHES OPTION**

-  Black / Satin Nickel
-  Oil Rubbed Bronze / Antique Brass

**MATERIAL**

Steel

**RATINGS**

cETLus  
 Dry Location



**ADDITIONAL**

OPERATING TEMPERATURE:  
 -20°C (-4°F), 40°C (104°F)

Always consult a qualified electrician before installing any lighting product.



**WESTERN DISTRIBUTION CENTER (HEADQUARTER)**  
 253 NORTH VINELAND AVE | CITY OF INDUSTRY, CA 91746  
**EASTERN DISTRIBUTION CENTER**  
 4200 SHIRLEY DR. | ATLANTA, GA 30336  
 P. 626.956.4200 | F. 626.956.4225 | maximlighting.com