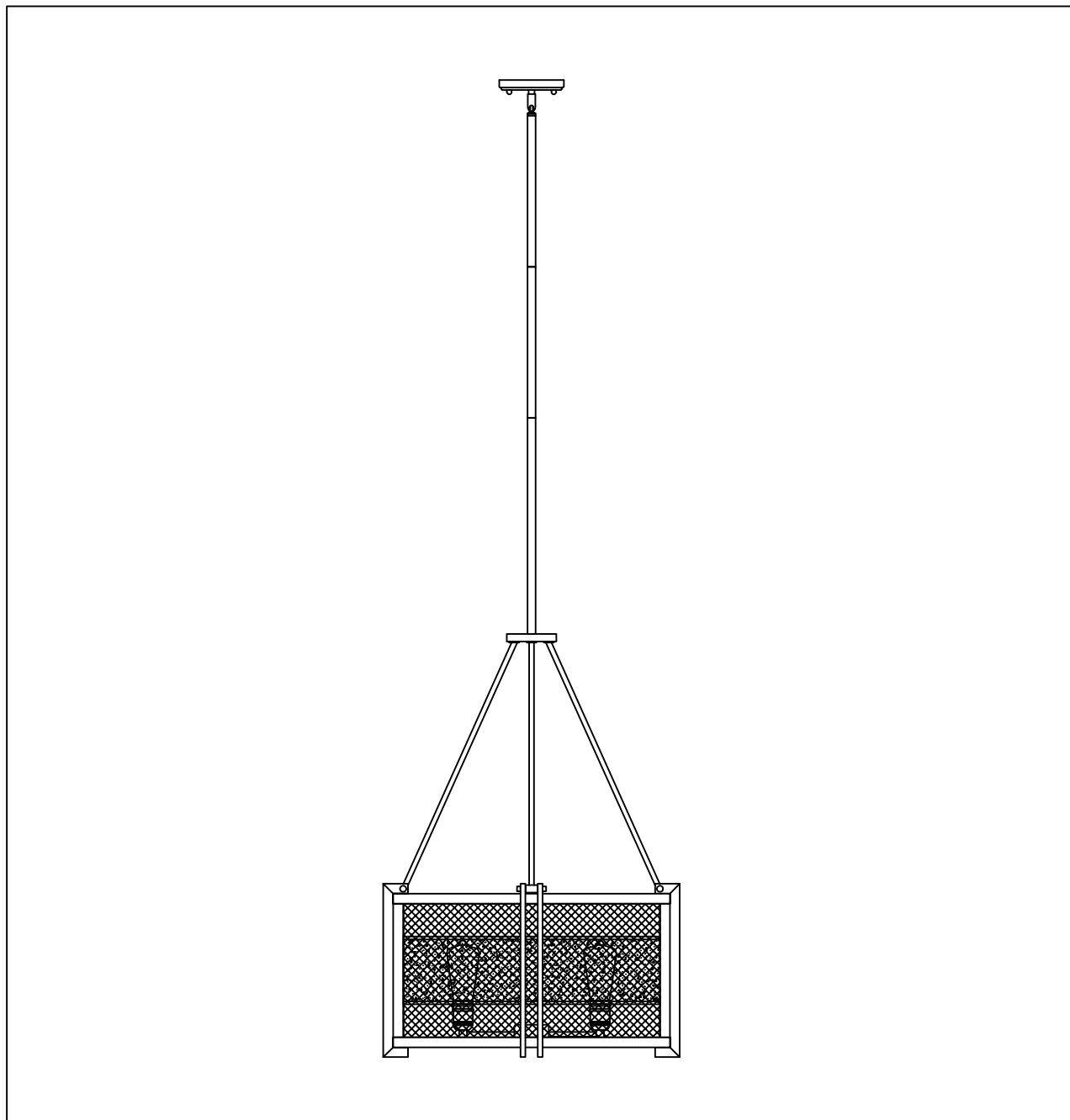




PRODUCT NAME: Boundry 6LT Round Pendant
NUMBER: 27565BKBWAB

Please consult your electrician for Hang fixture and wiring.

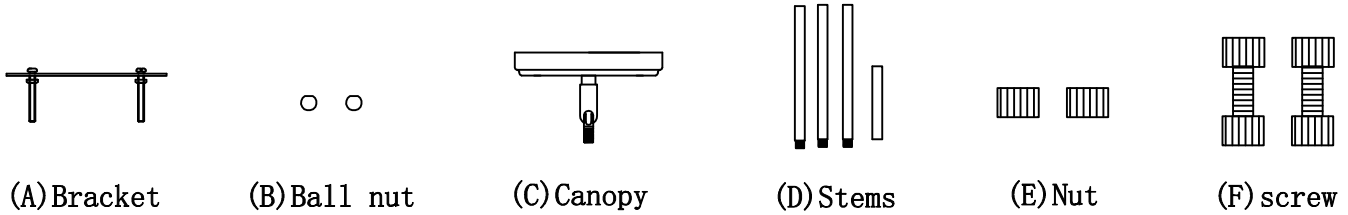


Bulb(not included) :6*MB 60W

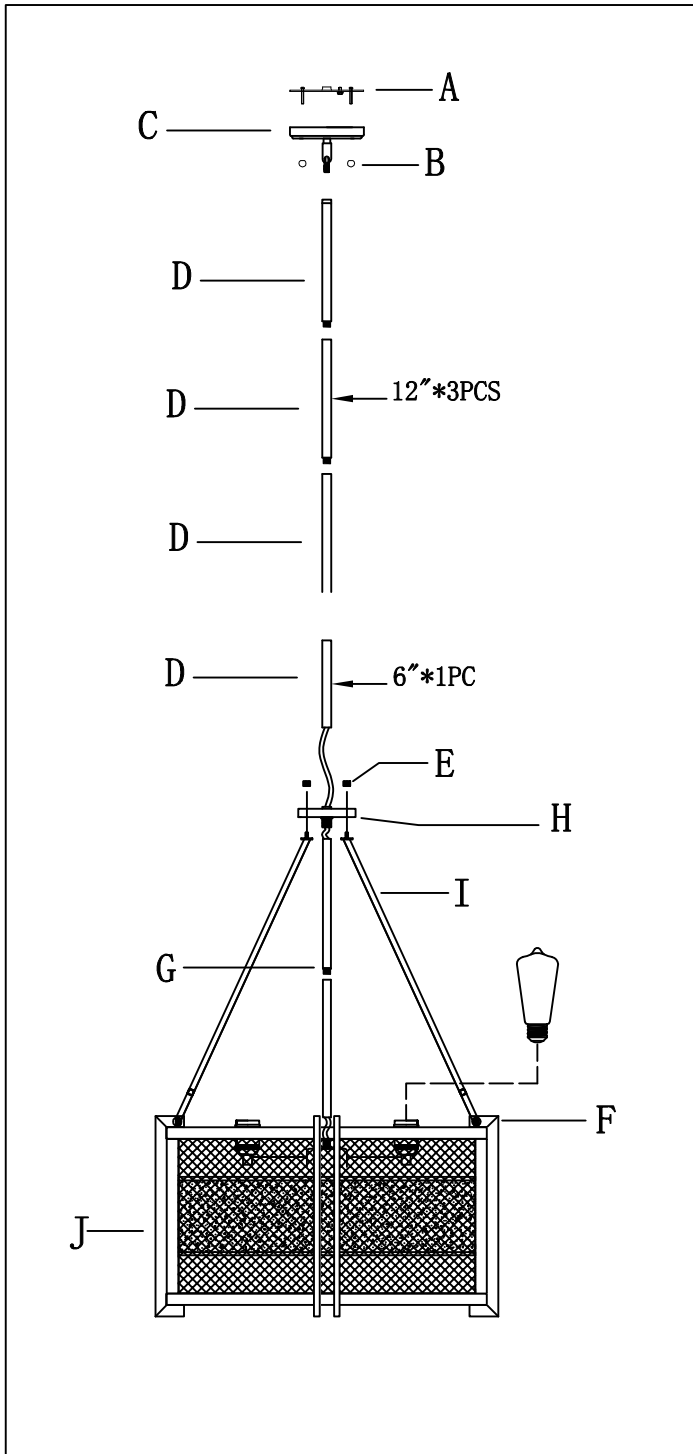
MADE IN CHINA

Page 1 of (3)

IMPORTANT: Turn off power at the main fuse or circuit breaker box before starting installation

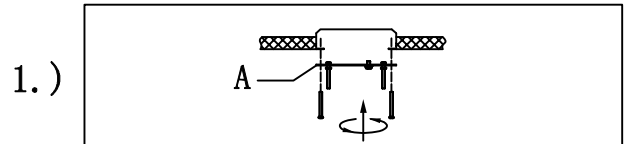


Locate all hardware & components before discarding packaging



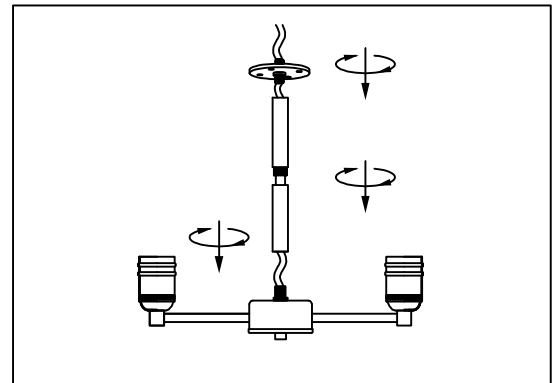
Cleaning & Care:

Clean with soft cloth and a mild detergent.
Do not use abrasive cleaner.



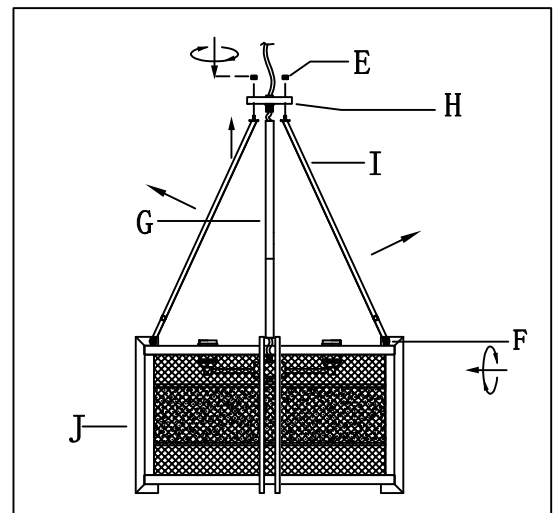
1.)

Step. 1: Remove mounting bracket (A) from fixture and install to electrical box.



2.)

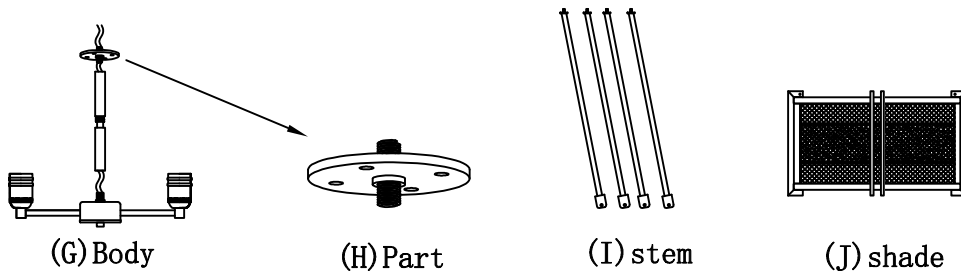
Step. 2: Screw each part of Body (G) together.



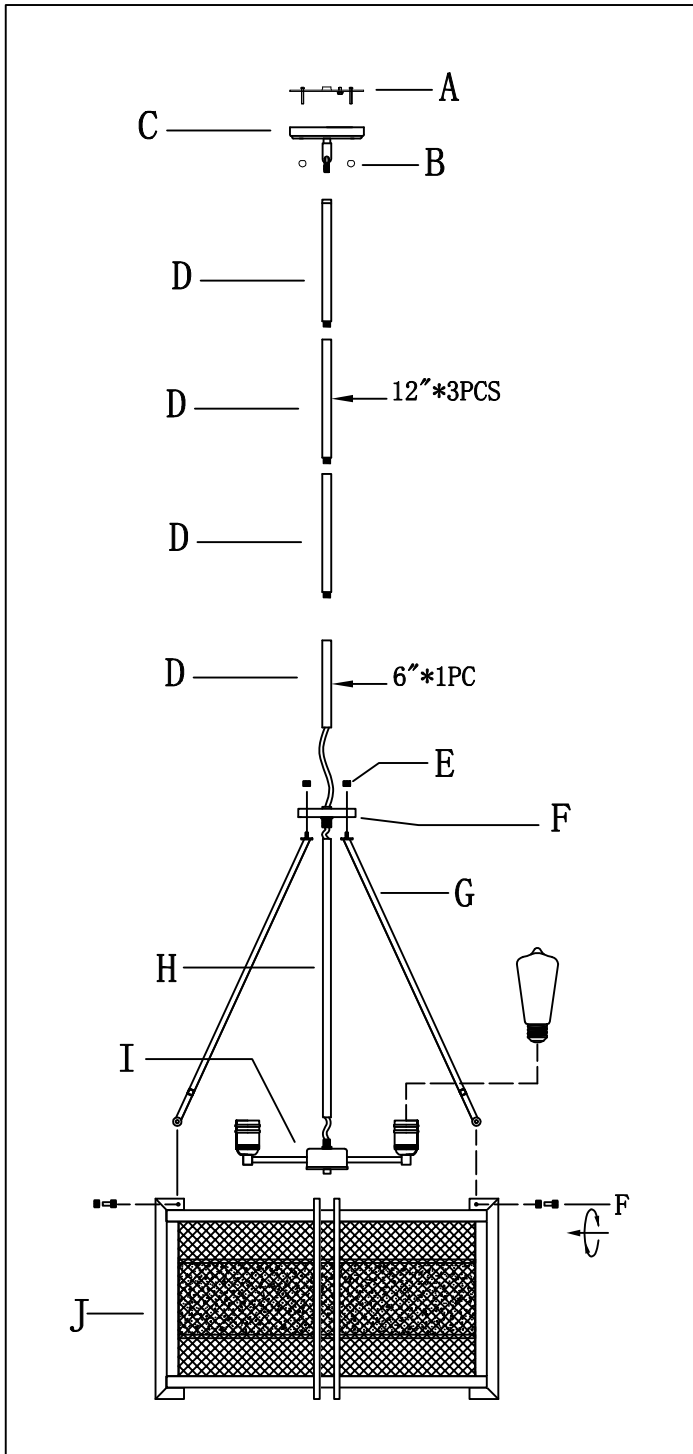
3.)

Step. 3: Raised the stem (G) to connect with Part (H), and use nut (E) to secure the body (G) with Stem (I) together. Then tighten the screw (F) to secure the shade (J).

IMPORTANT: Turn off power at the main fuse or circuit breaker box before starting installation

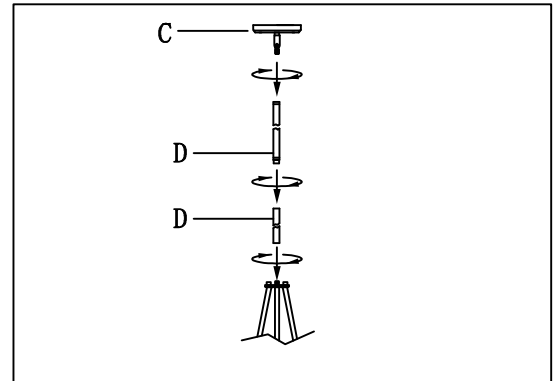


Locate all hardware & components before discarding packaging



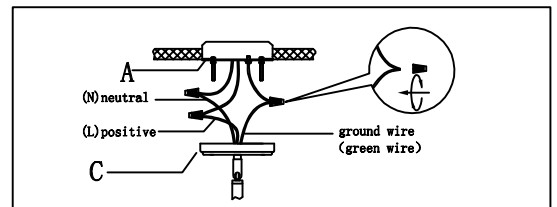
Cleaning & Care:

Clean with soft cloth and a mild detergent.
Do not use abrasive cleaner.



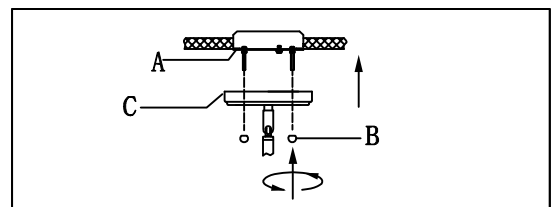
4.)

Step. 4: Run wire through stems (D) and combine stem lengths to meet desired mounting height.



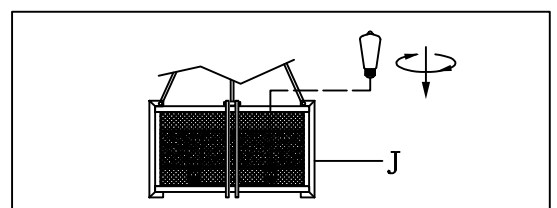
5.)

Step. 5: Wire fixture to wires in outlet box. Copper/Green wire is for Ground.



6.)

Step. 6: Install fixture to bracket and tighten ball nuts (B) on the canopy to secure.



7.)

Step. 7: Install the bulb.