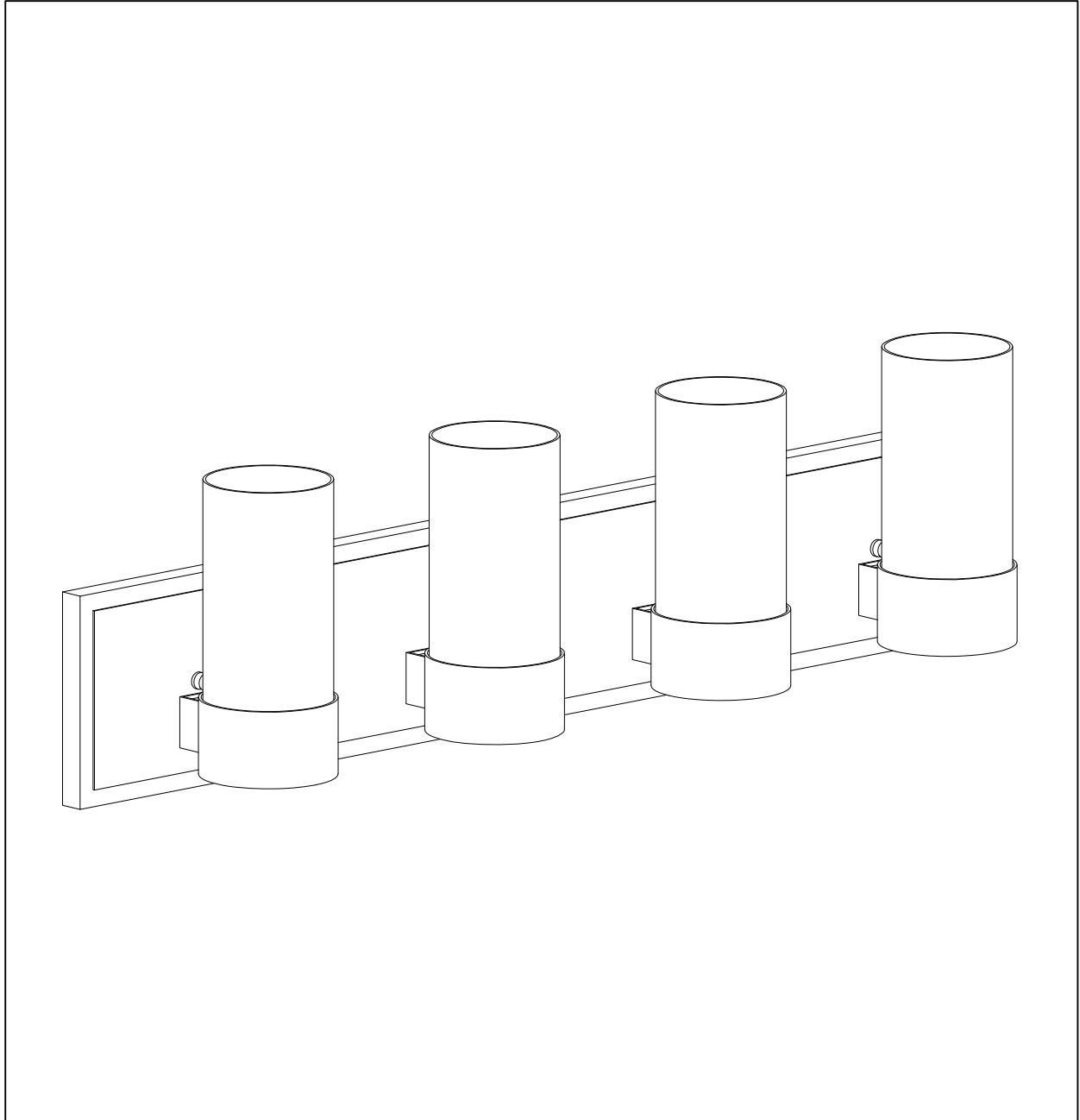




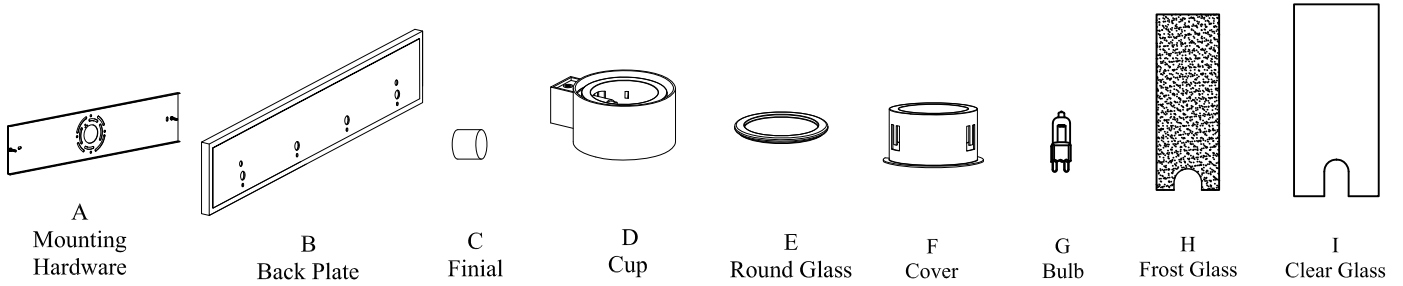
PRODUCT NAME: Silo
ITEM NUMBER: 23074

Please consult your electrician for hanging fixture and wiring.

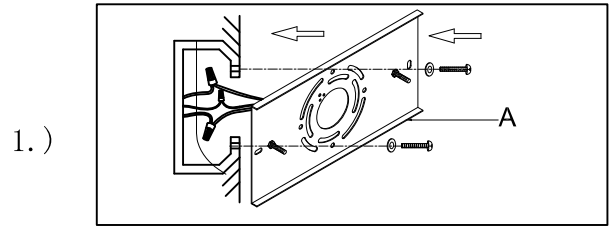
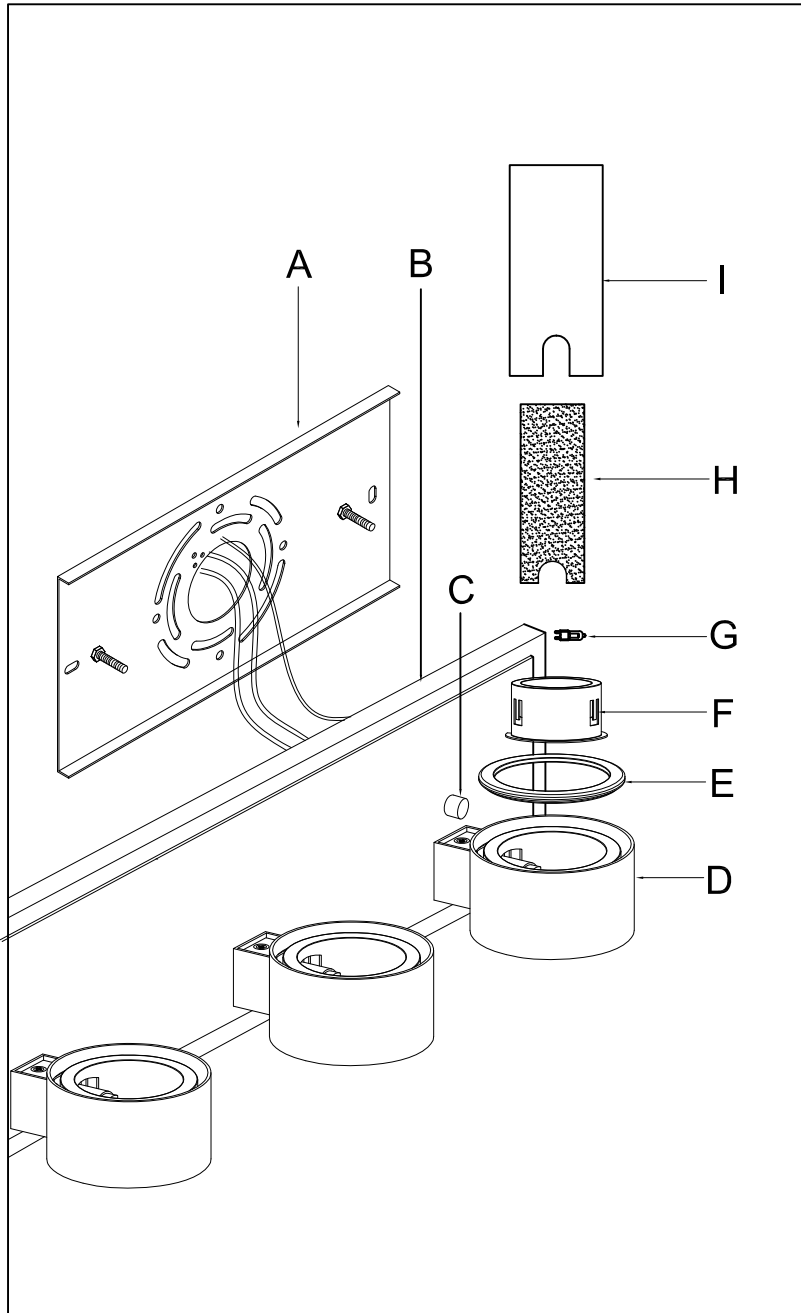


Bulb(included): 4 x 40W G9 Candelabra Bulbs

IMPORTANT: Turn OFF the power at the main fuse or circuit breaker box before starting installation

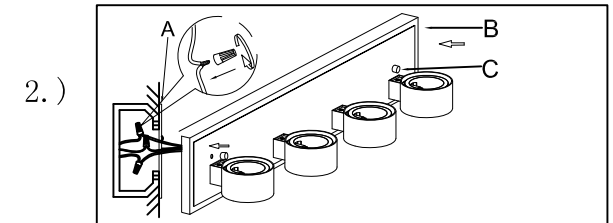


Locate all hardware & components before discarding packaging



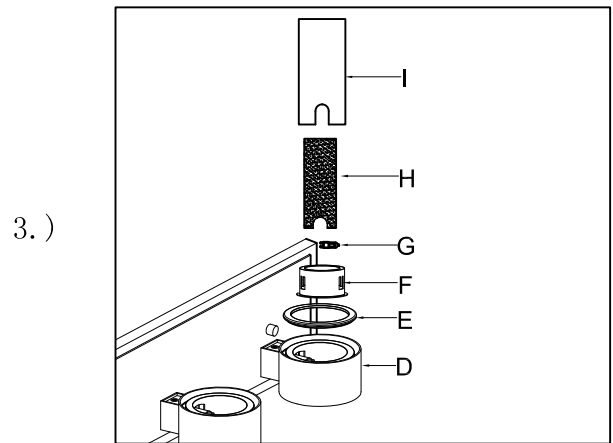
1.)

Step.1: Remove mounting bracket (A) from back plate (B) and install to electrical box.



2.)

Step.2: Install fixture to mounting basket (A) using back plate screws (C) .



3.)

Step.3: Put the round glasses (E) into the cups (D). Put the bulbs (G) onto the sockets which inside the cups (D) . Attach the inside frost glasses (H) and outside clear glasses (I) to the covers (F), make sure the glasses are stable. Put the whole set glasses (H & I) with the covers (F) into the cups (D).

Cleaning & Care:

You May use talcum powder and a soft cloth for cleaning. Do not use abrasive cleaner