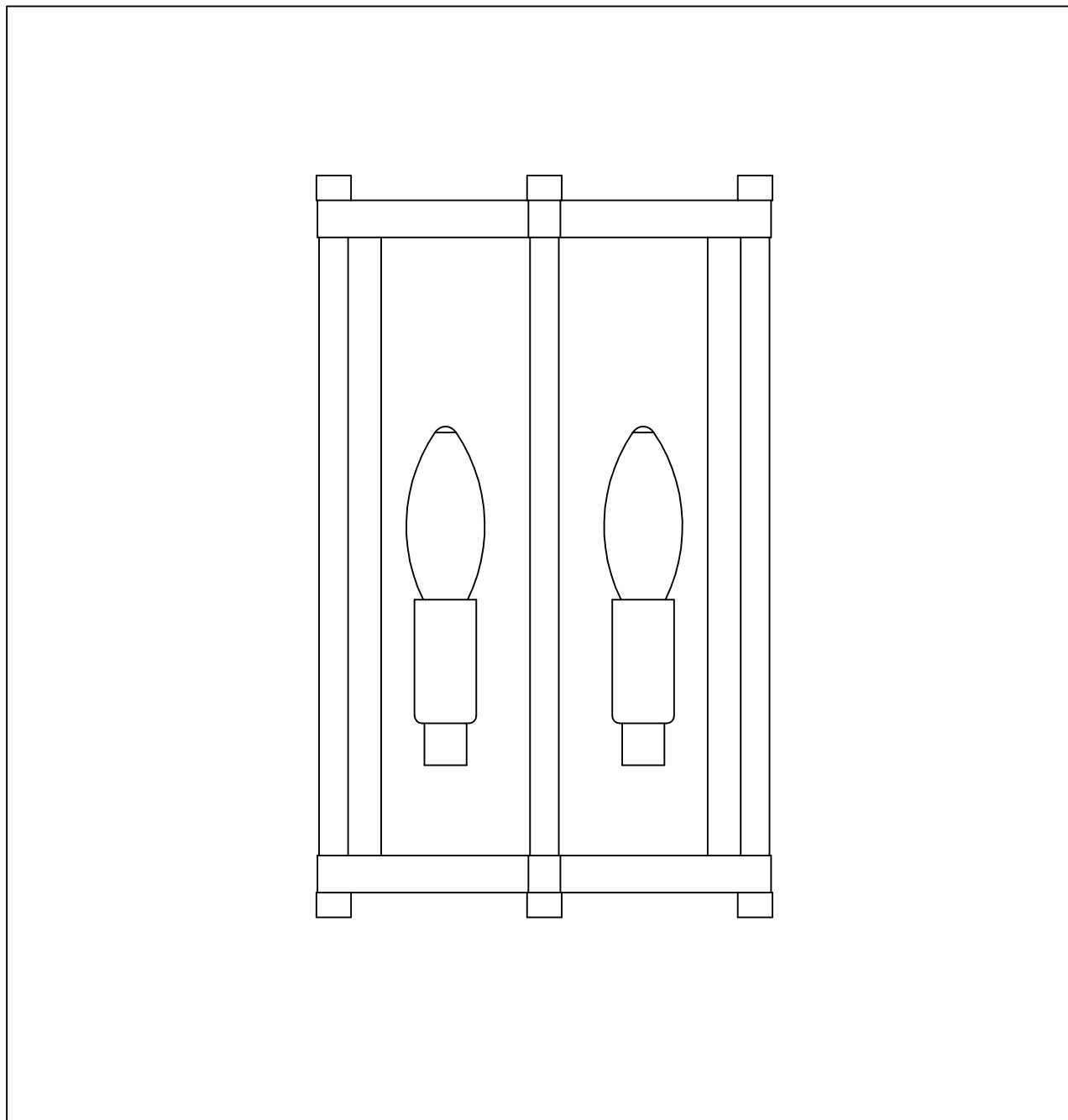




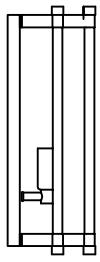
PRODUCT NAME: Wellington 2-Light Wall Sconce  
NUMBER: 13599

Please consult your electrician for Hang fixture and wiring.

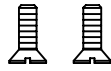


**Bulb (Not included) : 2\*CA 60W**

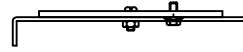
**IMPORTANT:** Turn off power at the main fuse or circuit breaker box before starting installation



(A) Body



(B) Support screw

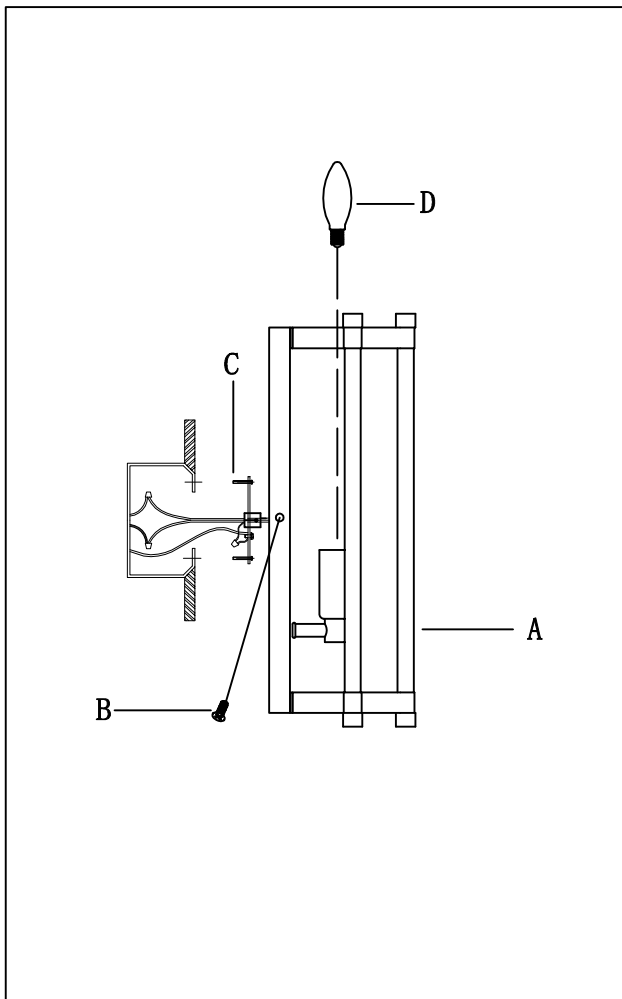


(C) Mounting bracket

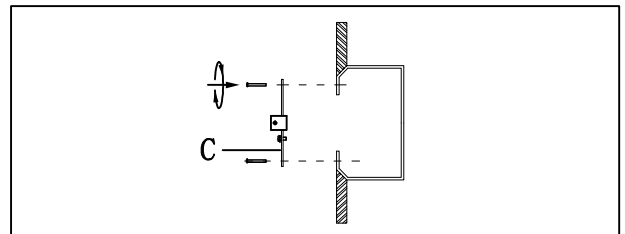


(D) Bulb

**Locate all hardware & components before discarding packaging**

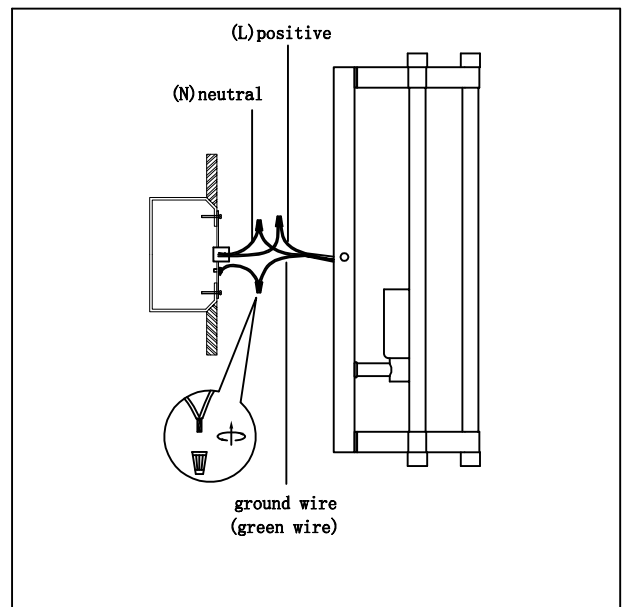


1.)



**Step. 1:** Install mounting bracket (C) to outlet box.

2.)

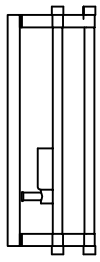


**Step. 2:** Wire fixture to wires in outlet box. Copper/green wire is for Ground.

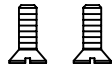
**Cleaning & Care:**

Clean with soft cloth and a mild detergent.  
Do not use abrasive cleaner.

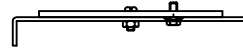
**IMPORTANT:** Turn off power at the main fuse or circuit breaker box before starting installation



(A) Body



(B) Support screw

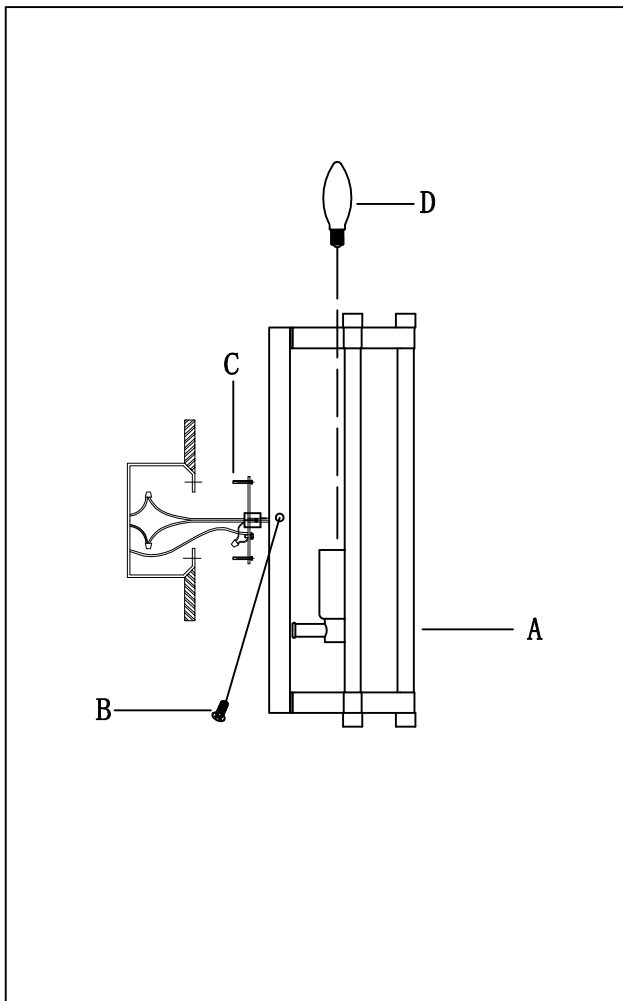


(C) Mounting bracket

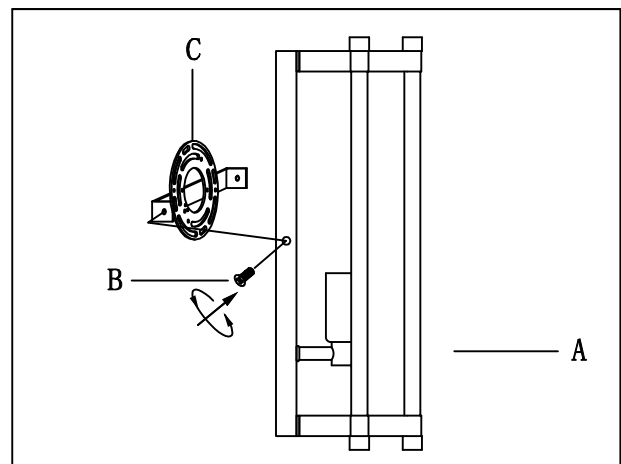


(D) Bulb

**Locate all hardware & components before discarding packaging**

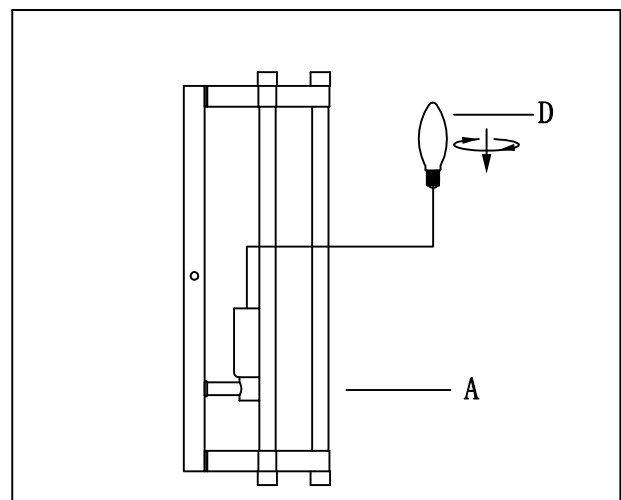


3.)



**Step. 3:** Install fixture to bracket (C) and tighten ball nuts (B) on the backplate to secure.

4.)



**Step. 4:** Install the bulb (D).

**Cleaning & Care:**

Clean with soft cloth and a mild detergent.  
Do not use abrasive cleaner.