

### Features

- Advanced spray engine provides two spray experiences: full-coverage and targeted massage.
- Full-coverage spray produces an encompassing spray for everyday use and utilizes Katalyst® air induction to create large, full drops.
- Targeted massage spray is a focused stream for targeting sore muscles or use as a utility spray.
- Intuitive and easy push-button activation to switch between two sprays.
- Ergonomic design is comfortable and easy to grip.
- MasterClean™ sprayface resists hard water buildup and is easy to clean.
- 2.5 gpm (gallons per minute) flow rate.
- Contains flow-regulating check valve for backflow prevention.

### Material

- KOHLER finishes resist corrosion and tarnishing.

### Installation

- Bracket or sidebar required for wall-mount installation.
- Deck-mount holder required for deck-mount installation.

### Required Products/Accessories

K-8593 72" Shower Hose

or

K-9514 60" Shower Hose

### Optional Products/Accessories

K-9660 Vacuum Breaker



OBC

### Codes/Standards

ASME A112.18.1/CSA B125.1

DOE - Energy Policy Act 1992

OBC

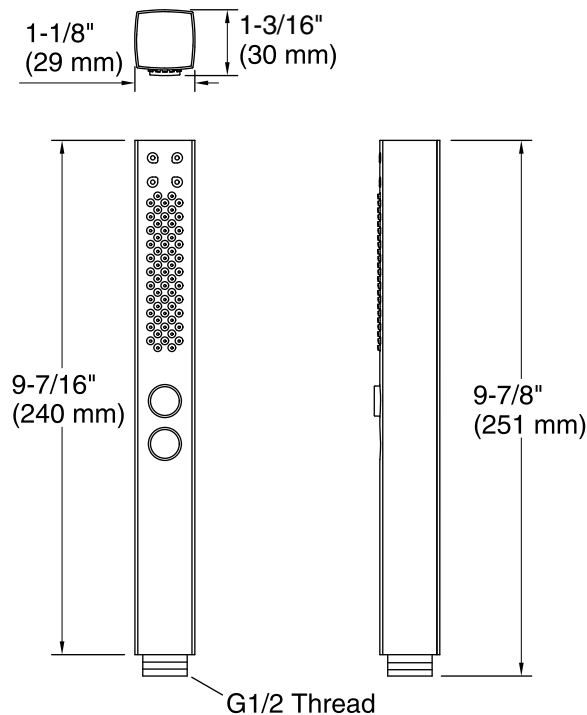
### KOHLER® Faucet Lifetime Limited Warranty

See website for detailed warranty information.

### Available Colors/Finishes

*Color tiles intended for reference only.*

Color	Code	Description
	CP	Polished Chrome
	SN	Vibrant® Polished Nickel
	BGD	Vibrant® Moderne Brushed Gold
	BN	Vibrant® Brushed Nickel
	BV	Vibrant® Brushed Bronze
	2BZ	Oil-Rubbed Bronze
	BL	Matte Black
	RGD	Vibrant Rose Gold
	TT	Titanium



### Technical Information

All product dimensions are nominal.

Drain included: No

### Handshower:

Rated maximum flow: 2.5 gal/min (9.5 l/min)

### Notes

For use with automatic compensating valves rated at 2.2 gal/min (8.3 l/min) or less.

Install this product according to the installation instructions.

Plumbing codes may require that a vacuum breaker be installed in-line to handshowers.

Please consult local plumbing codes.

OBC compliant when installed to the specific requirements of these regulations.