

Features

- Single handle controls both on/off activation and temperature settings.
- 7-13/16" (198 mm) stationary spout reach.
- 8.0 gpm (30.3 l/min) maximum bath faucet flow rate at 45 psi (3.1 bar).
- 1.75 gpm (6.6 l/min) per minute maximum handshower flow rate at 45 psi (3.1 bar).
- Coordinates with other products in the Avid collection.
- Deck-mount installation.

Material

- Premium metal construction for durability and reliability.
- KOHLER finishes resist corrosion and tarnishing.

Installation

- Flexible supply lines make installation easy.



Codes/Standards

ASME A112.18.1/CSA B125.1
DOE - Energy Policy Act 1992
EPA WaterSense®
California Energy Commission (CEC)



KOHLER® Faucet Lifetime Limited Warranty

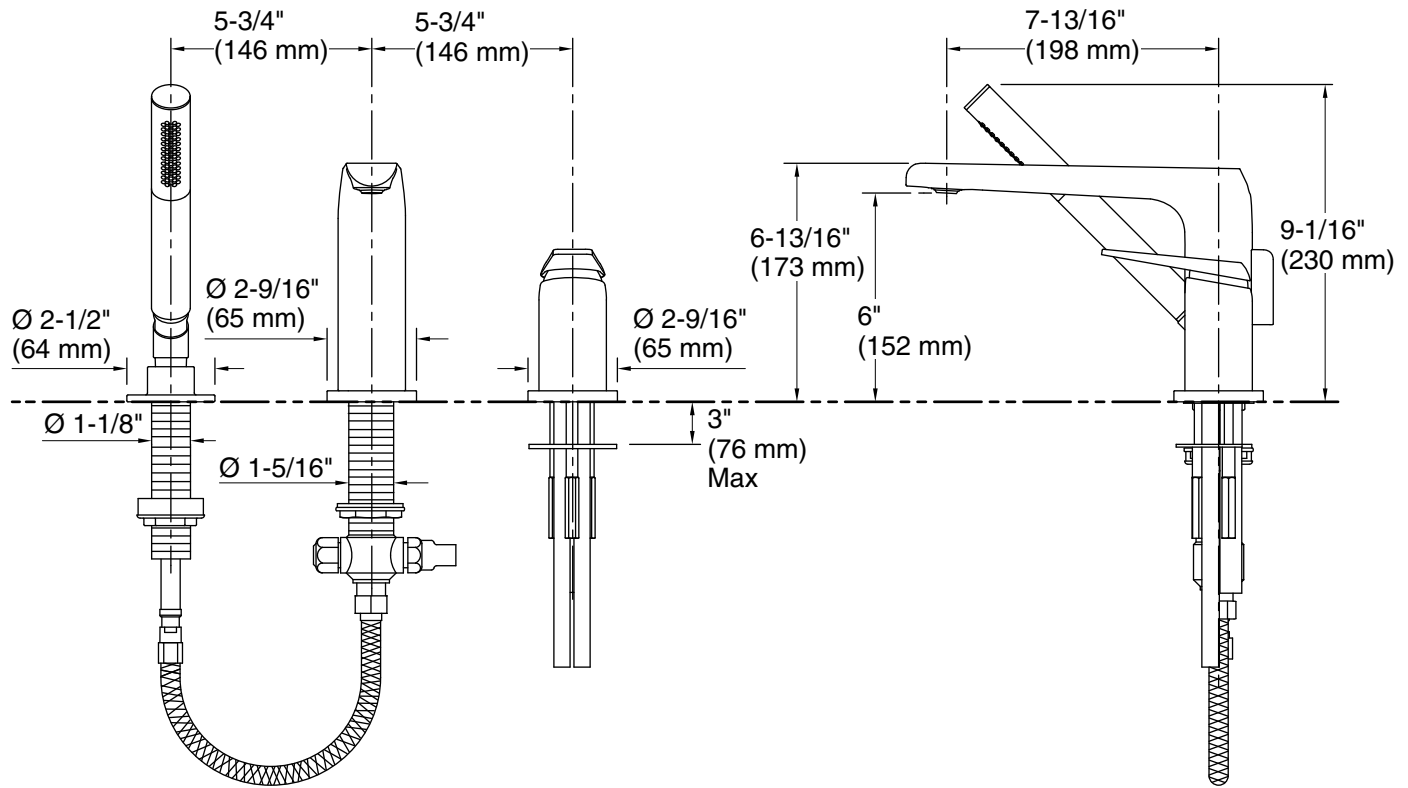
See website for detailed warranty information.

Available Colors/Finishes

Color tiles intended for reference only.

Color	Code	Description
-------	------	-------------

	CP	Polished Chrome
	BN	Vibrant® Brushed Nickel



Technical Information

All product dimensions are nominal.

Faucet:

Flow rate: 8 gal/min (30.3 l/min)
 Pressure: 45 psi (3.1 bar)
 Valve body: Machined-brass
 Drain included: No

Spout:

Spout reach: 7-13/16" (198 mm)

Handshower:

Rated maximum flow: 1.75 gal/min (6.6 l/min)
 Pressure: 45 psi (3.1 bar)

Notes

Install this product according to the installation instructions.