

Features

- KOHLER Konnect® app lets you control PerfectFill drain system from anywhere and create up to ten temperature and fill-level presets
- AutoFill feature closes drain and fills bath to desired level and temperature; no monitoring necessary
- AutoDrain automatically opens drain after preset bath duration elapses; drain can also be operated via the app, voice assistant, or on/off button
- Warm Up/Cool Down function removes and adds water, maintaining your desired temperature throughout the bath; can be set to run automatically or when prompted
- Manual Bath Fill lets you run a normal bath without timer or digital drain features
- Wall-mount remote on/off button allows you to manually start/stop water or open/close drain
- No internal linkages, reducing the chance of clogs in the overflow pipe
- Ball-joint construction for easy installation
- Controller is equipped with rubber feet for locating on a countertop or shelf; can also be wall-mounted
- Requires bath spout (sold separately)
- Requires slotted overflow drain trim kit and two-port digital thermostatic valve or three-port digital thermostatic valve for use with handshower (sold separately)
- Add DTV+™ to control PerfectFill through the DTV+ interface; requires K-99693-P, K-99694, K-99695, and K-97999 (sold separately)

Material

- Schedule 40 PVC with metal overflow cover
- Reinforced engineering-grade thermoplastic casing on controller
- KOHLER finishes resist corrosion and tarnishing

Technology

- KOHLER Konnect® app pairs with Amazon Alexa and Google Home for hands-free PerfectFill functionality

Installation

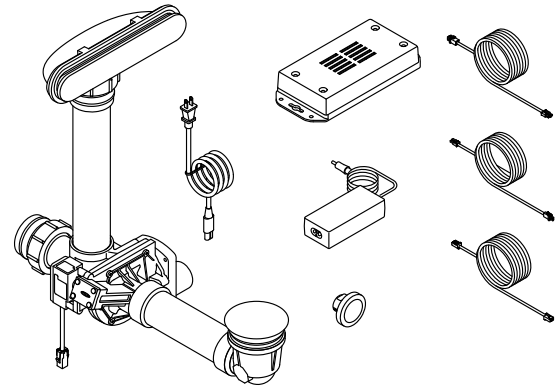
- Above-the-floor

Required Products/Accessories

K-31799 Slotted overflow bath drain trim kit
K-528-K1 Digital Two-Port Thermostatic Valve

Optional Products/Accessories

K-99693-P Digital interface
K-99694 Interface Mounting Bracket



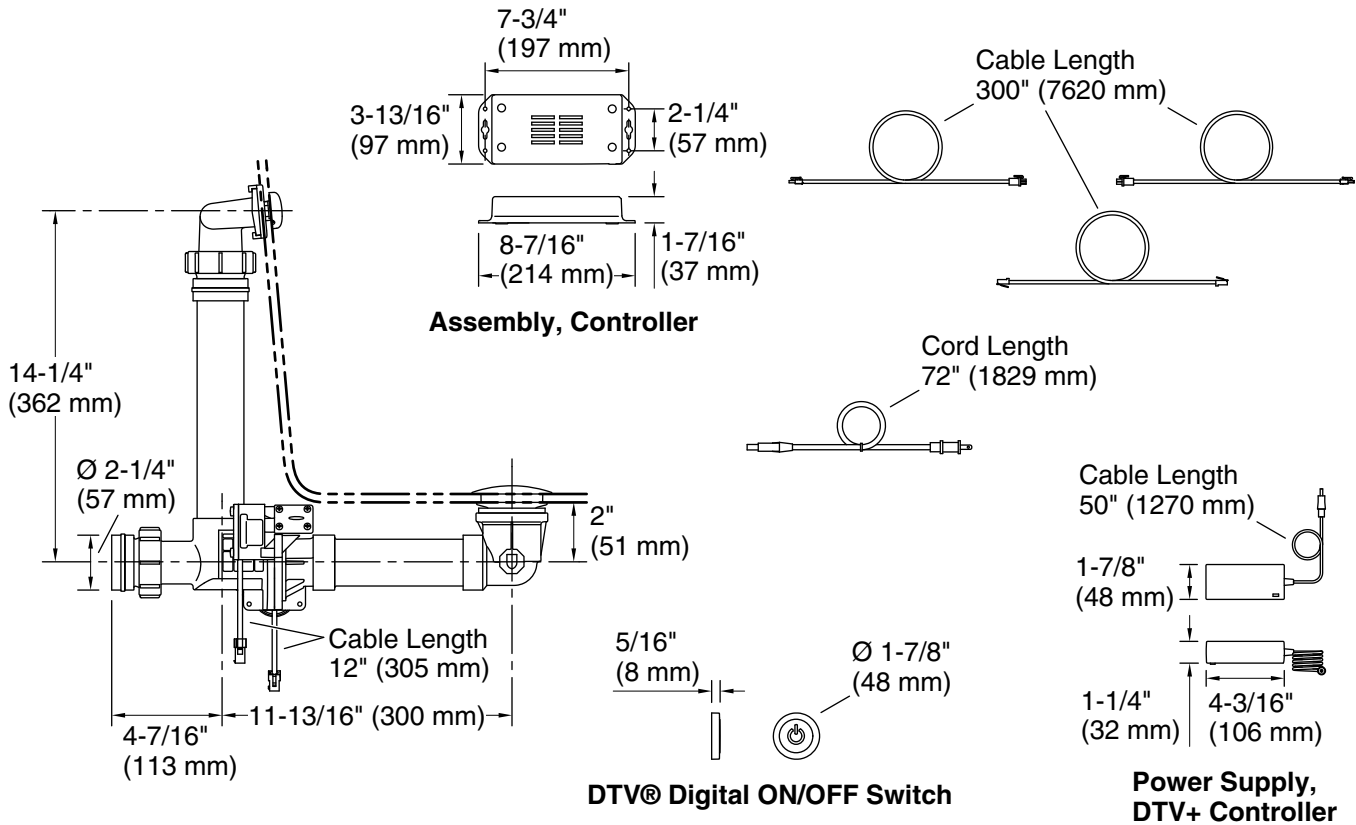
Codes/Standards

ASME A112.18.2/CSA B125.2
UL 1951
CSA C22.2 No. 14
CSA C22.2 No. 68

KOHLER® One-Year Limited Warranty

See website for detailed warranty information.

The BLUETOOTH® word mark and logos are registered trademarks owned by Bluetooth SIG, Inc. and any use of such marks by Kohler Co. is under license. Other trademarks and trade names are those of their respective owners.



Required Electrical Service

One circuit required.

120/240 V, 50/60 Hz

Technical Information

All product dimensions are nominal.

Power source: Plug - AC, included

Drain included: Yes

Bluetooth® range: 33 ft (10.1 m)

Bluetooth® version: 5

Pressure/fixture Supply Requirements

Fixture pressure max (static): 125 psi (861.8 kPa)

Fixture pressure min (static): 20 psi (137.9 kPa)

Min flowing pressure: 20 psi (137.9 kPa)

Min flow rate: 1.5 gpm (5.7 lpm)

Notes

Install this product according to the installation guide.