

Features

- 36" (914 mm) minimum base cabinet width.
- Single bowl.
- 5" (127 mm) depth provides easy accessibility.
- Rear offset drain increases workspace in the sink and storage space underneath.
- No faucet holes; requires wall- or deck-mount faucet.
- Matte finish offers rich, dimensional color.
- Includes K-6639 bottom sink rack.
- Sink drain and strainer sold separately.

Material

- KOHLER Neoroc composite material is thermal shock-resistant and heat-resistant to 750°F.
- Color-dense Neoroc material helps to minimize the appearance of scratches and stains.

Installation

- Undermount.

Recommended Products/Accessories

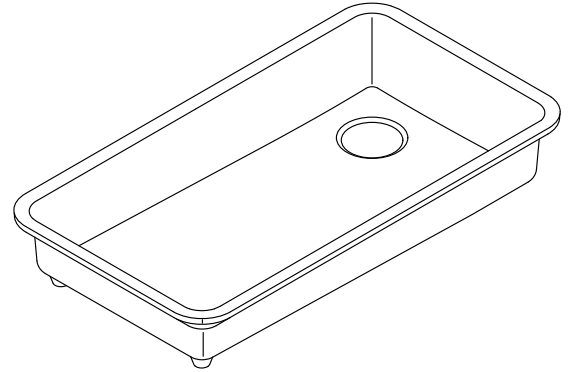
- K-8801 Sink drain and strainer with tailpiece
- K-8799 Sink drain and strainer basket
- K-23726 Drain treatment
- K-23730 Neoroc® cleaner

Optional Products/Accessories

- K-11352 Disposal Flange with Stopper
- K-9000 P-Trap

Included Components

- Additional Components:
6639



ADA

Codes/Standards

CSA B45.5/IAPMO Z124
ADA
ICC/ANSI A117.1

KOHLER® Neoroc® Sinks Lifetime Limited Warranty

See website for detailed warranty information.

Available Colors/Finishes

Color tiles intended for reference only.

Color	Code	Description
-------	------	-------------

	CM6	
--	-----	--

	CM7	
--	-----	--

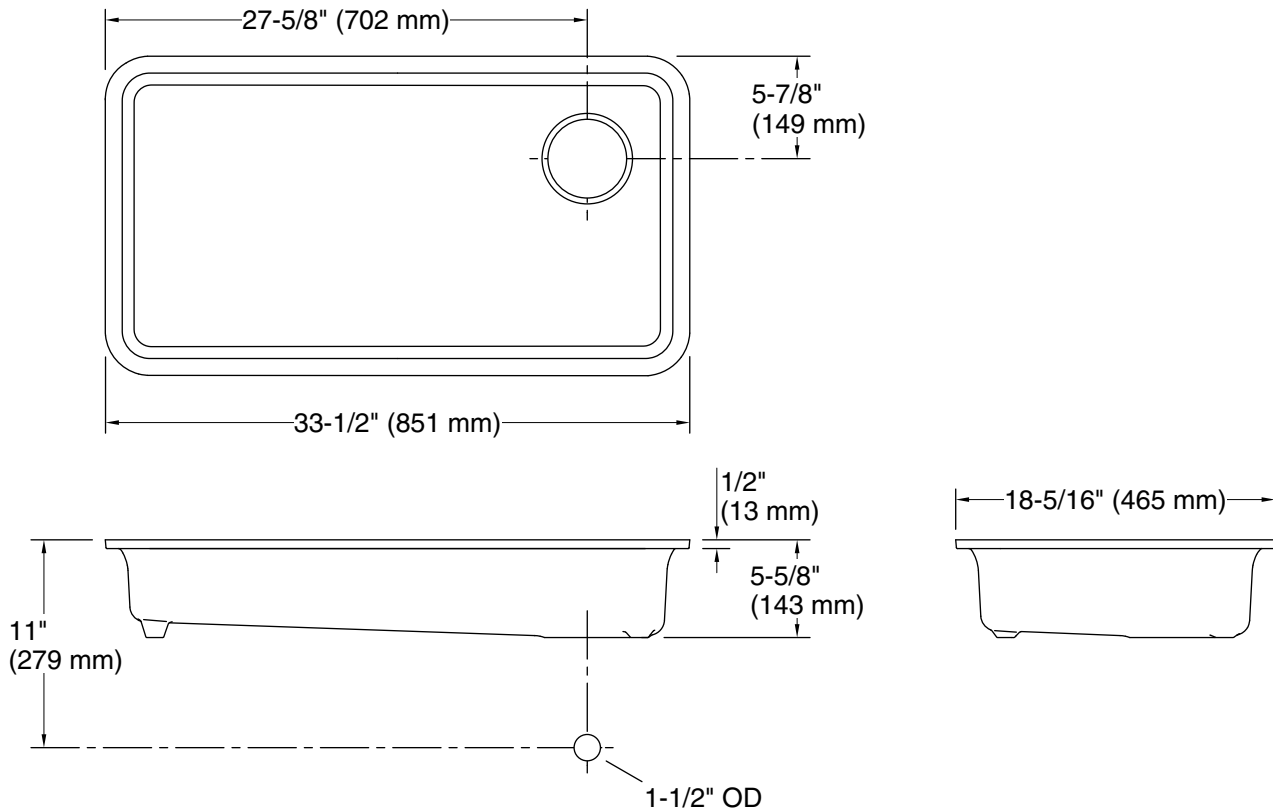
	CM8	
--	-----	--

	CM2	
--	-----	--

	CM3	
--	-----	--

	CM4	
--	-----	--

	CM1	
--	-----	--



Technical Information

All product dimensions are nominal.

Bowl configuration:	Single
Installation:	Undermount
Center(s):	4
Min. base cabinet width:	36" (914 mm)
Bowl area (Only):	Length: 30-1/2" (775 mm) Width: 15-5/16" (389 mm) Bowl depth: 5" (127 mm) Water depth: 5" (127 mm)
Number of deck holes:	1
Faucet hole spacing:	4" (102 mm)
Drain hole:	3-7/8" (98 mm)
Template:	Undermount, 1256394-7, required, included

Notes

Install this product according to the installation instructions.

NOTICE: Countertop manufacturer or cutter must use the cut-out template provided with the product, or a current one provided by Kohler Co. (call 1-800-4-KOHLER). Kohler Co. is not responsible for cutout errors when the incorrect cut-out template is used.

ADA compliant when installed to the specific requirements of these regulations.