

### Features

- Molded lumbar support offers extra comfort while bathing.
- Integral apron.
- Integral flange helps prevent water from seeping behind wall and simplifies alcove installation.
- Textured bottom surface
- Left-hand drain.
- Coordinates with other products in the Bancroft collection.

### Material

- Acrylic

### Installation

- Three-wall alcove.

### Additional Hydrotherapy Options

- Soaking Bath - K-1150-LA
- Soaking Bath + Bask heated surface - K-1150-LAW
- BubbleMassage air bath - K-1151-GLA
- BubbleMassage air bath + Bask heated surface - K-1151-GLAW
- VibrAcoustic - K-1151-VBLA
- VibrAcoustic + Bask heated surface - K-1151-VBLAW
- Whirlpool - K-1151-LA
- Whirlpool + heater - K-1151-HL
- Whirlpool + Bask heated surface - K-1151-LAW

### Recommended Products/Accessories

K-11677 Bath Drain



### Codes/Standards

CSA B45.5/IAPMO Z124

ASTM E162

ASTM E662






### KOHLER® Plastic Baths and Receptors Lifetime Limited Warranty

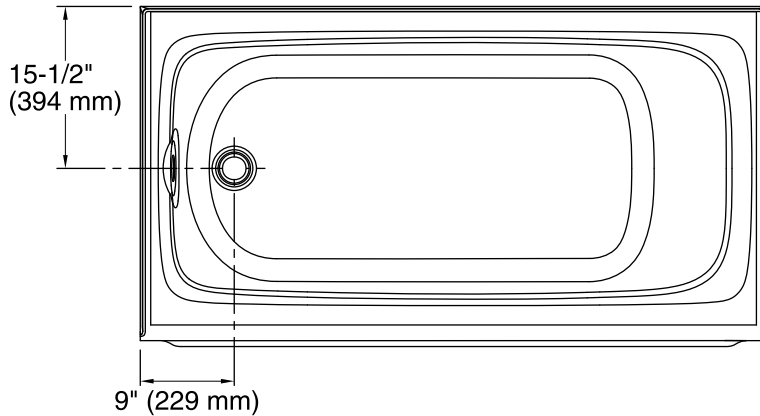
See website for detailed warranty information.

### Available Colors/Finishes

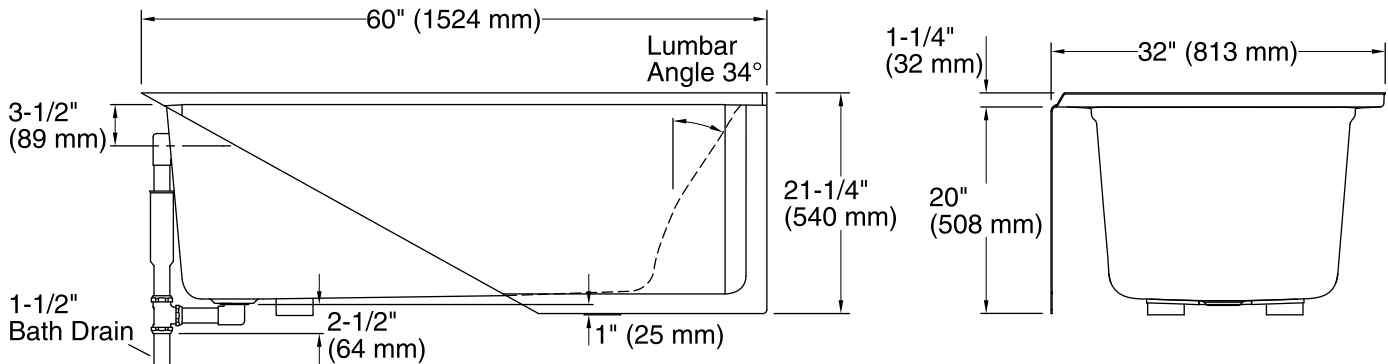
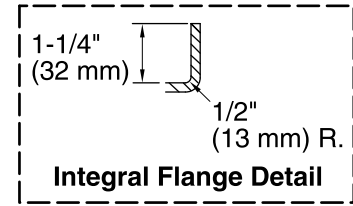
*Color tiles intended for reference only.*

Color	Code	Description
-------	------	-------------

	0	White
	96	Biscuit
	47	Almond
	NY	Dune
	G9	Sandbar



No change in measurements if connected with drain illustrated. (K-11677)



### Technical Information

All product dimensions are nominal.

Installation:	Three-wall alcove
Drain location:	Left
Basin area, bottom:	45" x 22" (1143 mm x 559 mm)
Basin area, top:	54" x 25" (1372 mm x 635 mm)
Weight:	80 lbs (36.3 kg)
Minimum floor load:	45 lbs/ft <sup>2</sup> (219.7 kg/m <sup>2</sup> )
Water depth:	15" (381 mm)
Water capacity:	60 gal (227.1 L)
Minimum flat for door:	2" (51 mm)

### Notes

Measure your actual product for rough-in details.

Install this product according to the installation instructions.

The hot water supply should be 70% of the capacity of the bath or greater. Installations will vary.