

Features

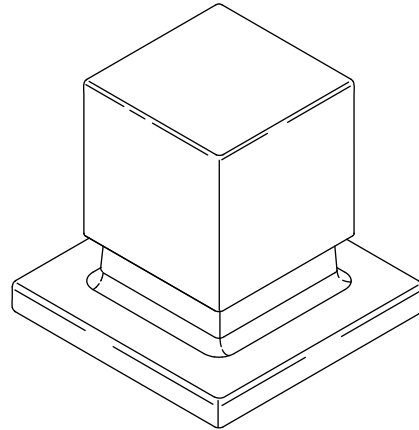
- Bath- or deck-mount
- Two-way brass diverter valve
- Diverter valve has backflow protection

Codes/Standards Applicable

Specified model meets or exceeds the following:

- ASSE 1014
- ASSE 1025
- ASME A112.18.1/CSA B125.1

**TWO-WAY DIVERTER VALVE
K-14677**



Colors/Finishes

- CP: Polished Chrome
- Other: Refer to Price Book for additional colors/finishes

Specified Model

Model	Description	Colors/Finishes	
K-14677	Two-way Diverter Valve	<input type="checkbox"/> CP	<input type="checkbox"/> Other _____

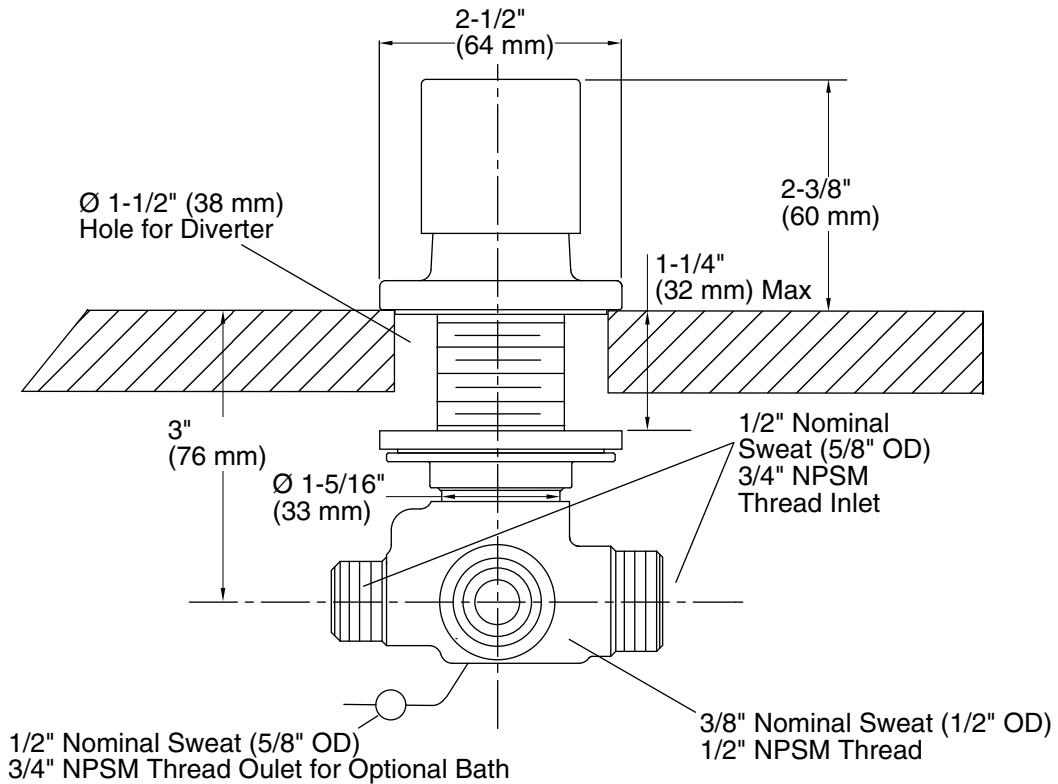
Product Specification

Two-way diverter valve shall be bath- or deck-mount. Diverter valve shall feature brass-construction. Diverter valve shall have backflow protection. Product shall be Kohler Model K-14677-_____.

Installation Notes

Install this product according to the installation guide.

Diverter valve has backflow protection.



Product Diagram