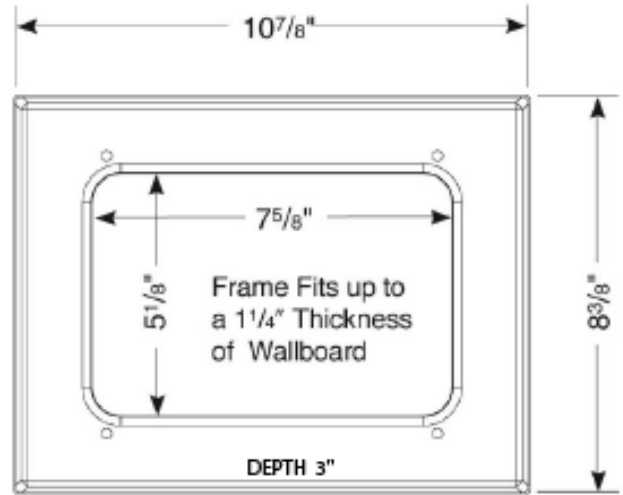
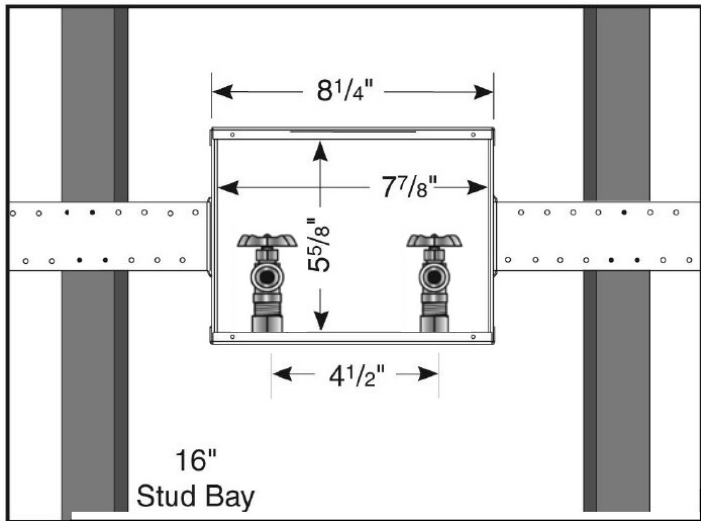


SPECIFICATION SUBMITTAL SHEET



**CENTER DRAIN WHITE POWDER COATED METAL WMOB
with Domestic Valves**



Specification:

Furnish and install center drain white powder coated metal washing machine outlet box with domestic valves. Unit shall be Guy Gray product code as manufactured by IPS Corporation.

Box Material:

White Powder Coat on Cold Rolled Steel
20 gauge box with 20 gauge faceplate

Valve & Drain Option:

1/2" Sweat Domestic Valves furnished. Valves comply with ASME A112.18.1.

| Product Code # | Product Description | Model Number | Units/Case |
|----------------|--|--------------|------------|
| 85802 | Center Drain with 1/2" Sweat Domestic Valves | MWB1D | 6 |

