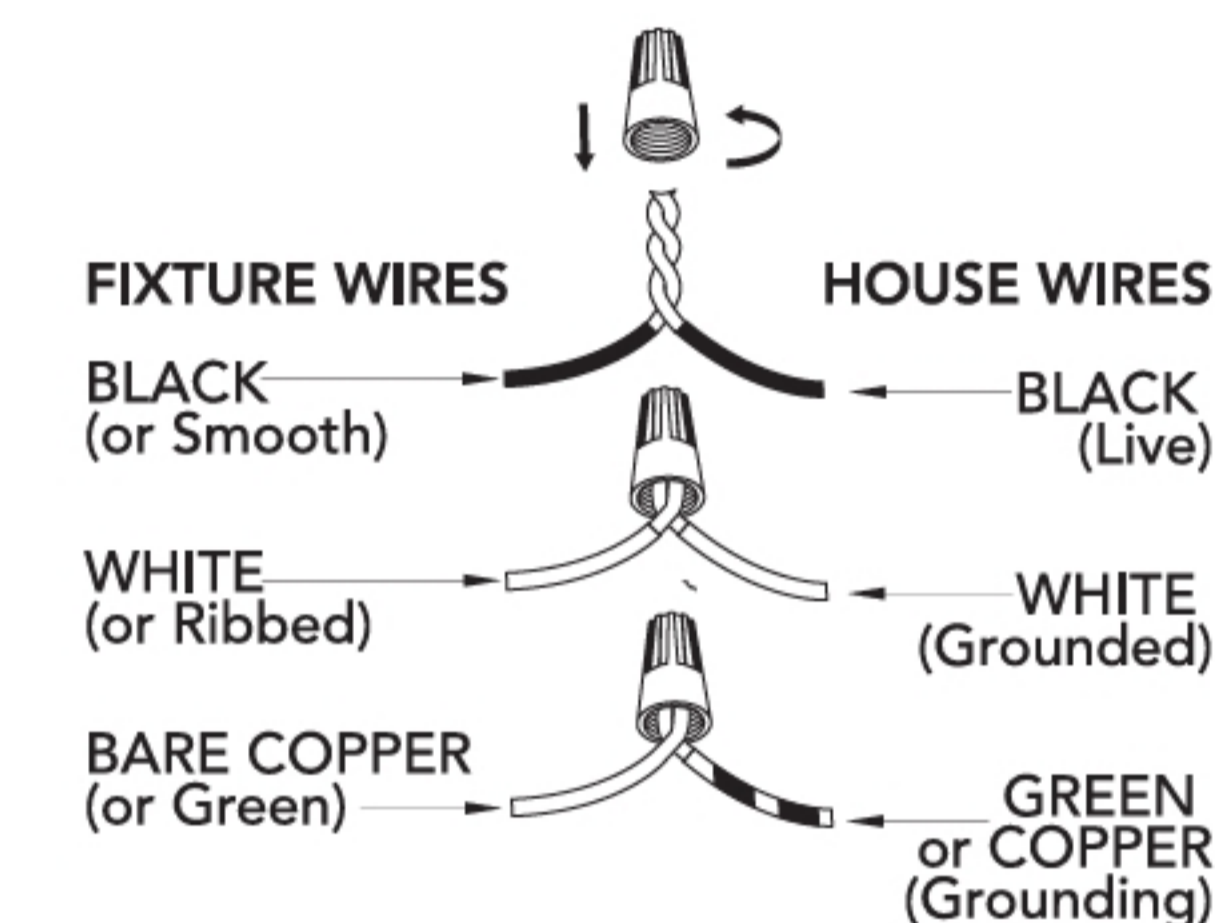


PREPARING FOR INSTALLATION

Carefully remove all contents from the carton. Shut off the power at the circuit breaker and completely remove the old fixture from the ceiling, including the old mounting bracket. Remove the new mounting bracket assembly from the bag. Then remove cap nuts (L) from mounting screws (A). Put the drywall anchor (I) inside the hole in the ceiling. Place the mounting plate (B) over the junction box so that mounting screws (A) and nuts (C) extend out away from the ceiling. Depending on the placement of your junction box the position of mounting screws (A) may need to be adjusted to allow the canopy to be flush with the ceiling. Adjust the position of mounting screws (A) so that mounting screws (A) can be exposed 5-6 mm after passing through the canopy (F) to properly fit the cap nuts. Mounting screws (A) can be adjusted by loosening nuts (C) and loosening or tightening mounting screws (A). Once the ideal position of mounting screws (A) has been confirmed, tighten nuts (C) on mounting screws (A) on the front of the mounting plate to ensure that mounting screws (A) are secure. Pull the house wires through the center of mounting plate (B). Secure mounting plate (B) to the junction box by tightening the screws (D) then insert the drywall screw (J) through the mounting plate (B) into the drywall anchor (I).



CONNECTING THE WIRES

Slide cord (M) through cord grip (K) to adjust the wire to desirable length [set screw (H) may need to be loosened first]. Tighten the set screw (H) with the included screwdriver (G) to lock it tight. Tie a knot in each cord (M) above the canopy for strain relief [see existing knot (Q) for example]. Cut excess cord leaving enough length to reach from each end to center cord to assure that the connections of each of the 3 cords and house wiring can be made. Remove the outer jacket of each cord (M) to expose individual wires (white, black, green). Strip half an inch of jacket away from the ends of each individual wire. Have a helper support the fixture's weight while completing the wiring. Attach the fixture's wires [from all 3 cords (M)] to the power supply wires from

the junction box. Connect black to black (Live); white to white (grounded); grounding to grounding (green or copper). Twist the ends of the wire pairs together. Then, twist on a wire connector. Make sure all twists are in the same direction. Loop fixture's ground wire around grounding screw (E) and tighten. If there is no ground wire (green or copper) from the junction box, contact a qualified electrician.

FINISHING THE INSTALLATION

Raise canopy (F) to mounting plate (B) and position mounting screws (A) so that they protrude through the openings of canopy (F). Secure canopy (F) in place with cap nuts (L). Install light bulb (not included) in accordance with the fixture's specifications. Do not exceed the recommended wattage. Your installation is now complete. Turn on the power and test the fixture.

CLEANING TIPS

Treat the fixture gently! Regular cleaning will reduce the need for deep cleaning. For regular cleaning, turn off the light and wipe down the fixture with a clean lint-free cotton or microfiber cloth. Never spray cleaner directly onto the fixture.

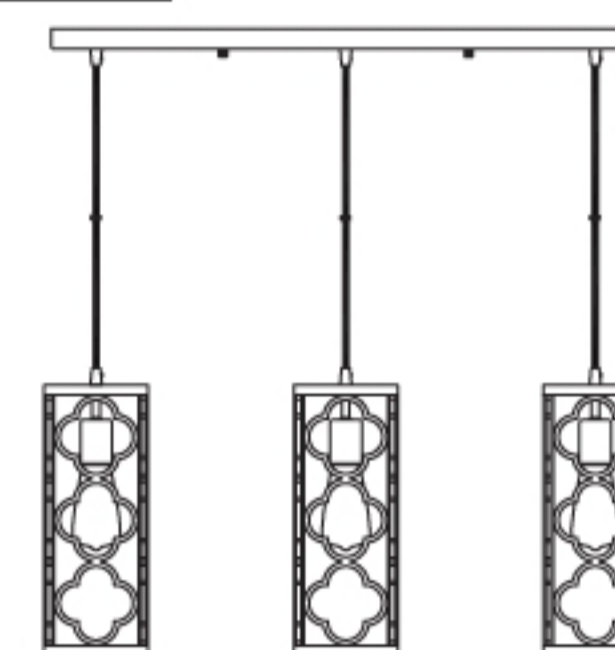
NOTICE

Drill 9/64" pilot holes in support structure to aid in securing light fixture.

Hunter

Gablecrest

For Models:
Para los Modelos:
Pour les Modèles:
19948
19949



Here are the tools you'll need to complete your installation:
Estas son las herramientas que usted necesitará para completar su instalación:
Voici les outils dont vous aurez besoin pour réaliser l'installation:

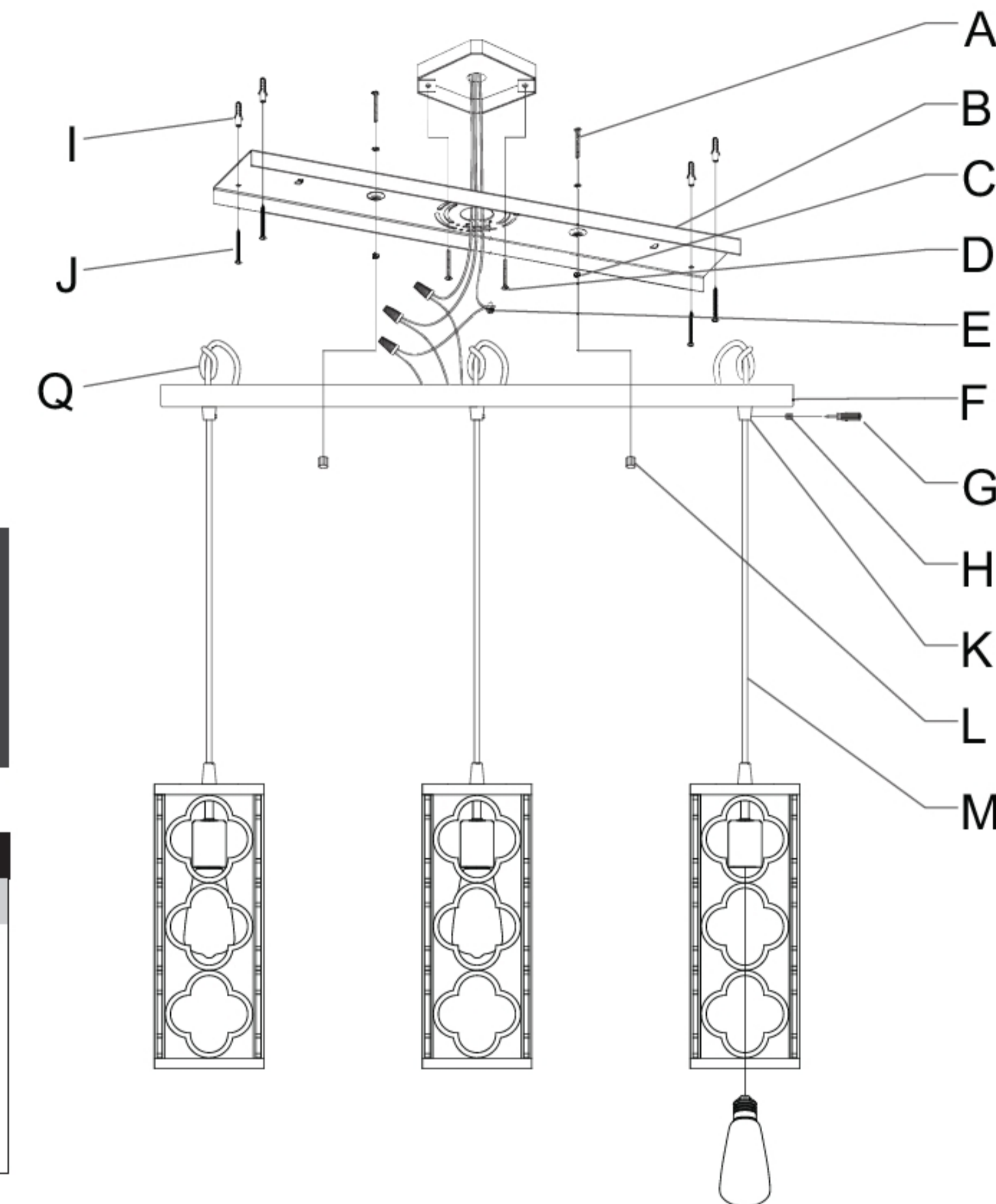
Hardware Service Kit/Kit De Mantenimiento Del Equipo/Trousse De Maintenance Quincaillerie



3 Light Cluster
3 Luz En Racimo
3 Lumière Grappe

Fixture weight ±2 lbs:
Peso ±2 lb: 19.4 lbs (8.80 kg)
Poids fixe ±2 lbs:

Part #/Pieza #/Pièce #	Model/Modelo/Modèle	Finish/Finish/Fin
KD85101L08	19948	Rustic Iron/Hierro Rústico/Fer Rustique
KD85101866	19949	Painted Concrete/Cemento Pintado/Béton Peint



INSTALLATION INSTRUCTIONS INSTRUCCIONES DE INSTALACIÓN/ INSTRUCTIONS D'INSTALLATION

WARNING

- To avoid possible electrical shock, before installing your light fixture, disconnect the power by turning off the circuit breakers to the outlet box associated with the wall switch location.
- The lighting fixture must be grounded. If the ground wire for the installation site is not present, immediately STOP installation and consult a qualified electrician.
- All wiring must be in accordance with national and local electrical codes ANSI/NFPA 70. If you are unfamiliar with wiring or in doubt, consult a qualified electrician.

READ AND SAVE THESE INSTRUCTIONS
These instructions are provided for your safety. It is very important that they are read carefully and completely before beginning installation of the lighting fixture.

ADVERTENCIA

- Para evitar una posible descarga eléctrica, antes de instalar su lámpara, desconecte la energía apagando los interruptores automáticos (breakers) que alimentan la caja de salida asociada con la ubicación del interruptor de pared.
- L'appareil d'éclairage doit être mis à la terre. Si le fil de terre du lieu d'installation n'est pas présent, ARRÊTEZ immédiatement l'installation et consultez un électricien qualifié.
- Todo el cableado debe realizarse de acuerdo con los códigos eléctricos locales y nacionales ANSI/NFPA 70. Si no está familiarizado con el cableado, o si tiene duda, consulte a un electricista calificado.

LEA Y GUARDE ESTAS INSTRUCCIONES
Estas instrucciones se proporcionan para su seguridad. Es muy importante leerlas detenidamente y completamente antes de comenzar la instalación de la lámpara.

AVERTISSEMENT

- Pour éviter tout choc électrique, avant d'installer le luminaire, coupez le courant en éteignant les disjoncteurs de la boîte électrique associée à l'interrupteur mural.
- Le luminaire doit être mis à la terre. Si le fil de terre du lieu d'installation n'est pas présent, ARRÊTER immédiatement l'installation et consulter un électricien qualifié.
- Tout le câblage doit être conforme aux codes électriques nationaux et locaux en vigueur et à la norme ANSI/NFPA 70. Si vous n'avez pas l'habitude de faire ce câblage ou en cas de doute, adressez-vous à un électricien qualifié.

LISEZ ET CONSERVEZ CES INSTRUCTIONS
Ces instructions sont fournies pour votre sécurité. Il est très important de les lire attentivement dans leur intégralité avant d'entreprendre l'installation du luminaire.