

Smart Rail Storage Solution

Installation Instructions for the SRS xxx



IMPORTANT:

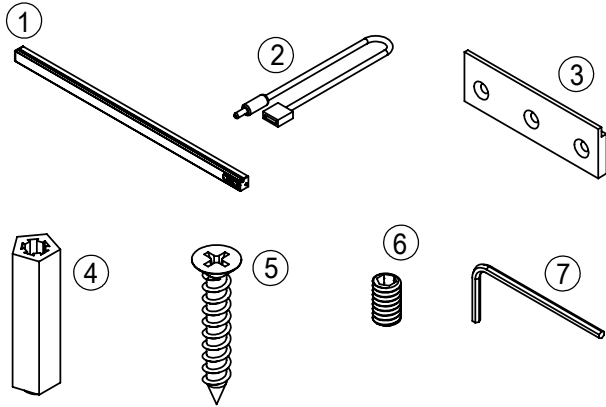
Before you begin, make sure you familiarize yourself with all the parts and fully read the instructions.

CUSTOMER SERVICE:

Toll free customer help line available weekdays between 7:00am and 6:00pm Central Time at 800-463-0660.

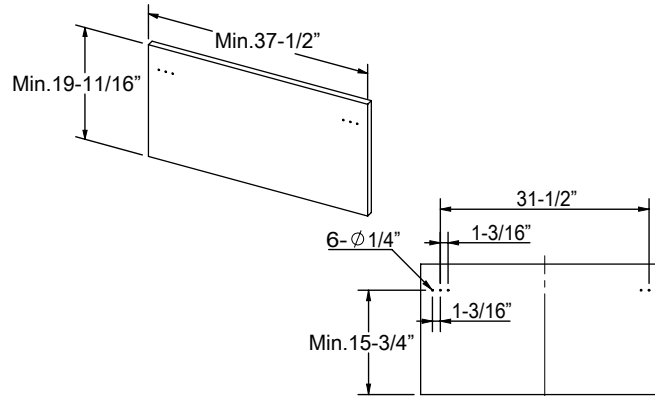
TOOLS NECESSARY:

Screw gun, Phillips screwdriver, 1/4" drill bit, tape measure and torpedo level. NOTE: If screw gun has a clutch, set to lowest setting so as not to over tighten and/or strip screws.



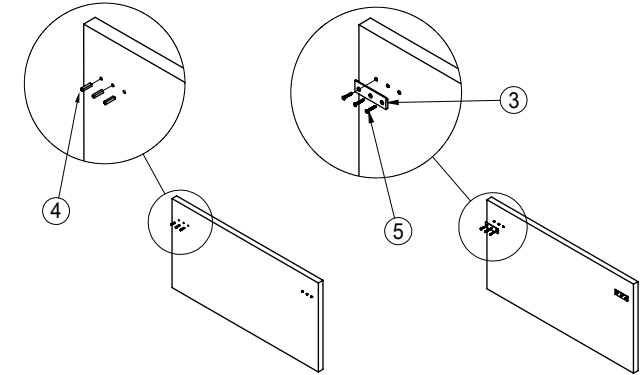
1	Hang rail	1X
2	16' USB recharging cord (LED Version only)	1X
3	Hang cleat	2X
4	Wall anchor	6X
5	#4 x 1" flat head wood screw	6X
6	Allen set screw	6X
7	Allen wrench	1X

STEP 1 - Mounting Measurements



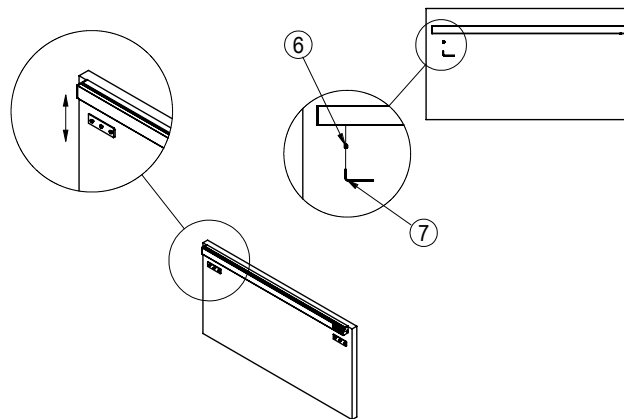
Determine the mounting location for the Smart Rail Storage Solution and layout mounting location on the wall as shown above.

STEP 2 - Mounting Cleats



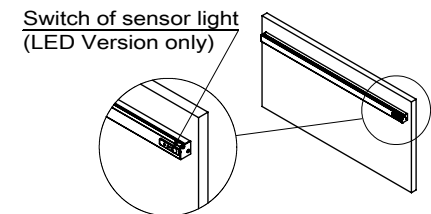
With 1/4" drill bit, drill all six holes and insert the 6 wall anchors. Position the hang cleats over the wall anchors and install with 3 -- #4 x 1" flat head wood screws in each hang cleat.

STEP 4 - Install Hang Rail



Place the notch in the rear of the hang rail over the cleats and install the Allen set screws. Tighten with the provided Allen wrench.

STEP 5 - Installing Accessories



Install your Smart Rail Storage Solutions accessories by pivoting the units upward while sliding into the slot on the bottom of the rail.