

Soft-Close Wardrobe Lift

Installation Instructions for the 1523SC & 1532SC

IMPORTANT:

Before you begin, make sure you familiarize yourself with all the parts and fully read the instructions.

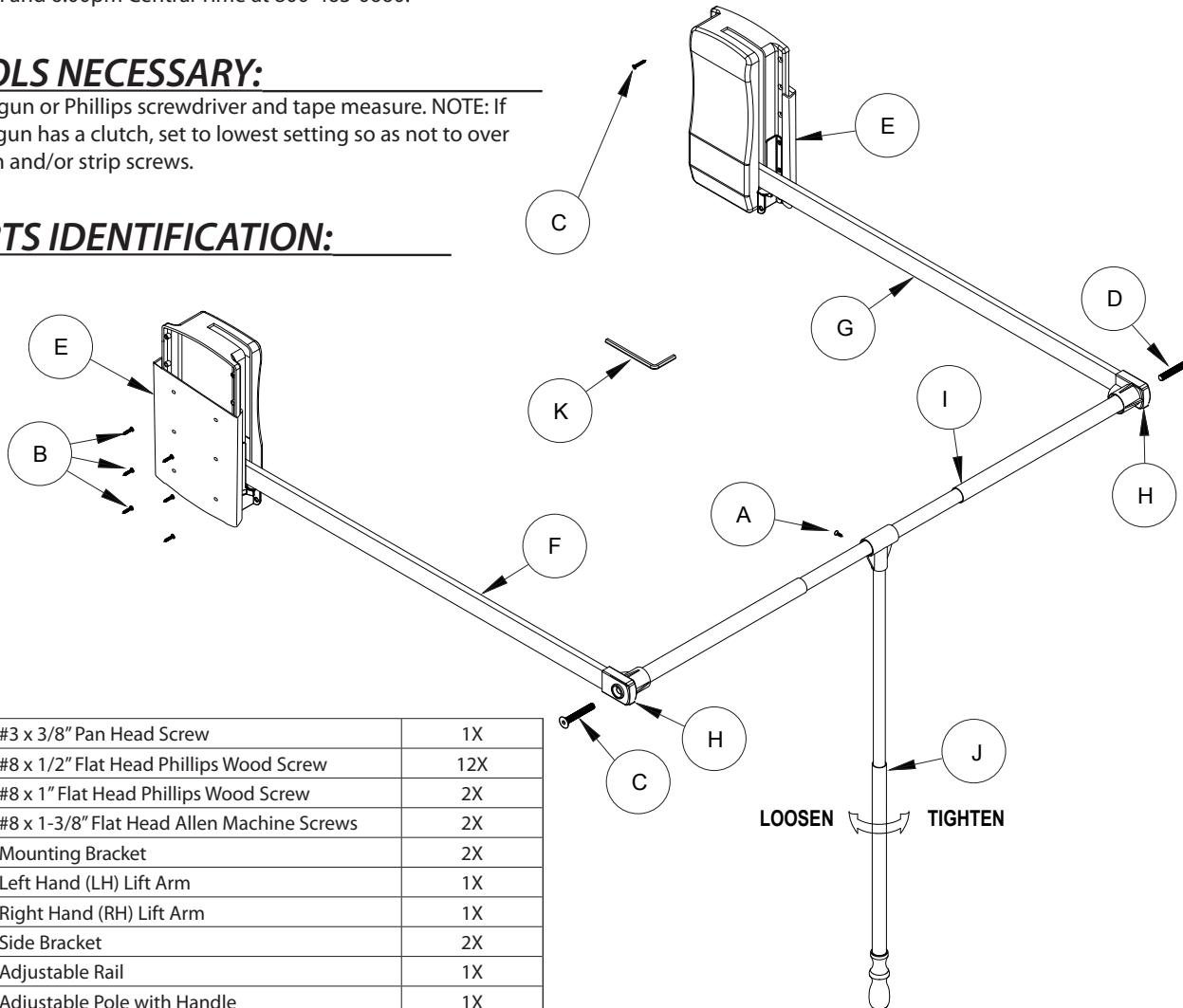
CUSTOMER SERVICE:

Toll-free customer help line available weekdays between 7:00am and 6:00pm Central Time at 800-463-0660.

TOOLS NECESSARY:

Screw gun or Phillips screwdriver and tape measure. NOTE: If screw gun has a clutch, set to lowest setting so as not to over tighten and/or strip screws.

PARTS IDENTIFICATION:



A	#3 x 3/8" Pan Head Screw	1X
B	#8 x 1/2" Flat Head Phillips Wood Screw	12X
C	#8 x 1" Flat Head Phillips Wood Screw	2X
D	#8 x 1-3/8" Flat Head Allen Machine Screws	2X
E	Mounting Bracket	2X
F	Left Hand (LH) Lift Arm	1X
G	Right Hand (RH) Lift Arm	1X
H	Side Bracket	2X
I	Adjustable Rail	1X
J	Adjustable Pole with Handle	1X
K	Allen Wrench	1X

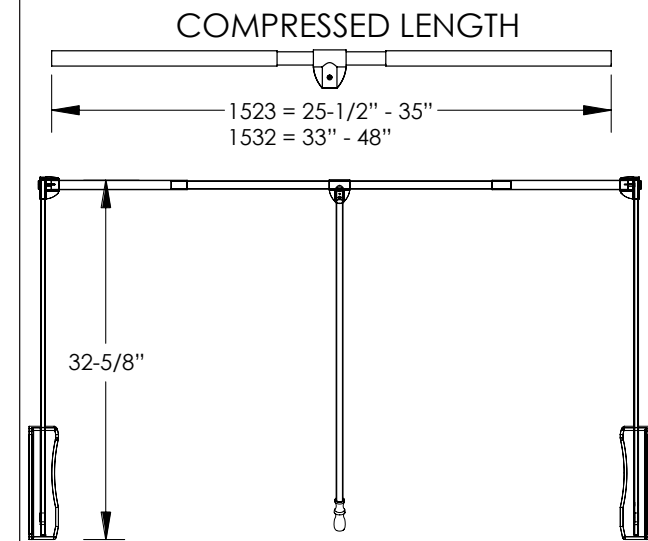
hardware
resources™



WARNING

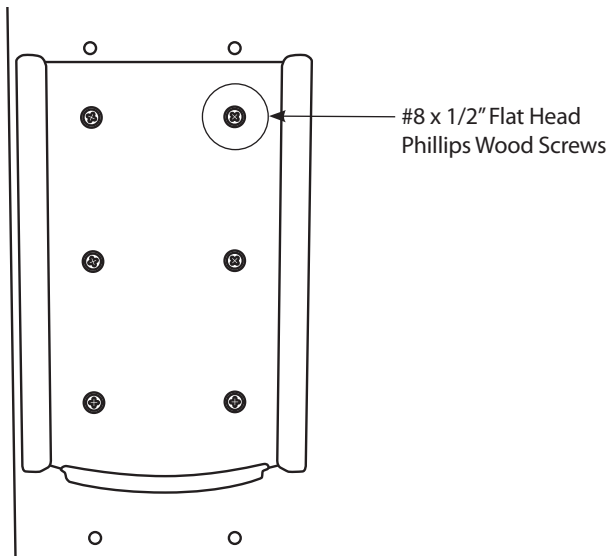
THIS PRODUCT IS UNDER EXTREME PRESSURE AND COULD CAUSE SEVERE HARM IF NOT INSTALLED CORRECTLY!

STEP 1 Determine the Mounting Height



Following the diagram, determine the best height for your application.

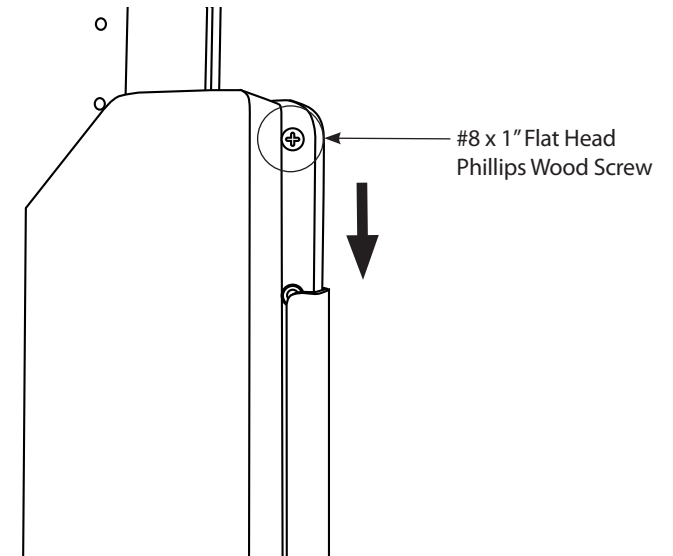
STEP 2 - Install Mounting Brackets



Install Mounting Brackets at desired height with twelve (12) #8 x 1/2" Flat Head Phillips Wood Screws provided.

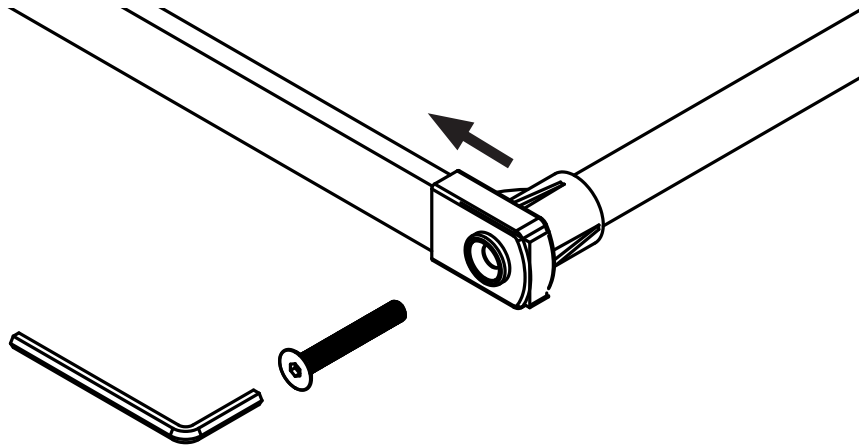
NOTE: If using a pre-drilled 32mm system, the front of the bracket can be mounted using 5mm Euro screws.

STEP 3 - Install Lift Arms



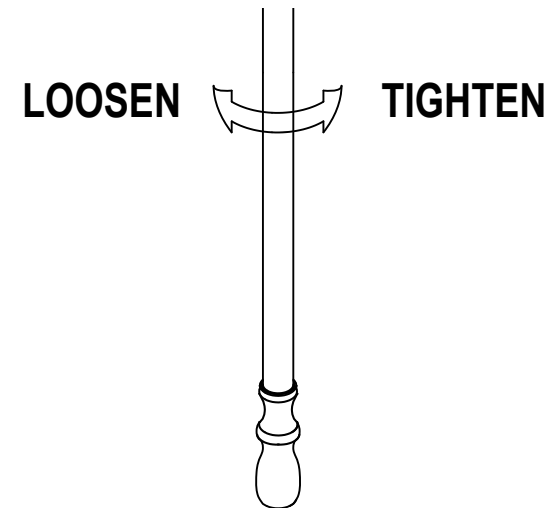
Install RH and LH Lift Arms by sliding into the brackets as shown. NOTE: Depending on the room available, it may be necessary to fold down the Lift Arm before install. **(PROCEED WITH CAUTION. Lift Arm is under extreme pressure)**. Once fully seated in the Mounting Bracket, install one (1) #8 x 1" Flat Head Phillips Wood Screw in the rear top hole of each Lift Arm to secure it in place.

STEP 2 - Install Rail and Pole



Attach the Side Brackets to the Adjustable Rail with the two (2) #8 x 1-3/8" Flat Head Allen Machine Screws provided. With Lift Arms in the down position, adjust the Adjustable Rail so that the Side Brackets slide onto the ends of the Lift Arms as shown and tighten Side Brackets with Allen Wrench provided. Slip the Adjustable Pole into the T-Bracket and fasten using one (1) #3 x 3/8" Pan Head Screw.

STEP 3 - Install Handle and Final Adjustments



Operate the lift by gently pushing upward on the handle. Check clearance of Adjustable Rail from side to side and adjust accordingly. Center the T-Bracket on the Adjustable Rail and slide the rubber O-rings tight against both sides of the T-Bracket to hold it in place. Adjust Handle Pole to desired length as shown.