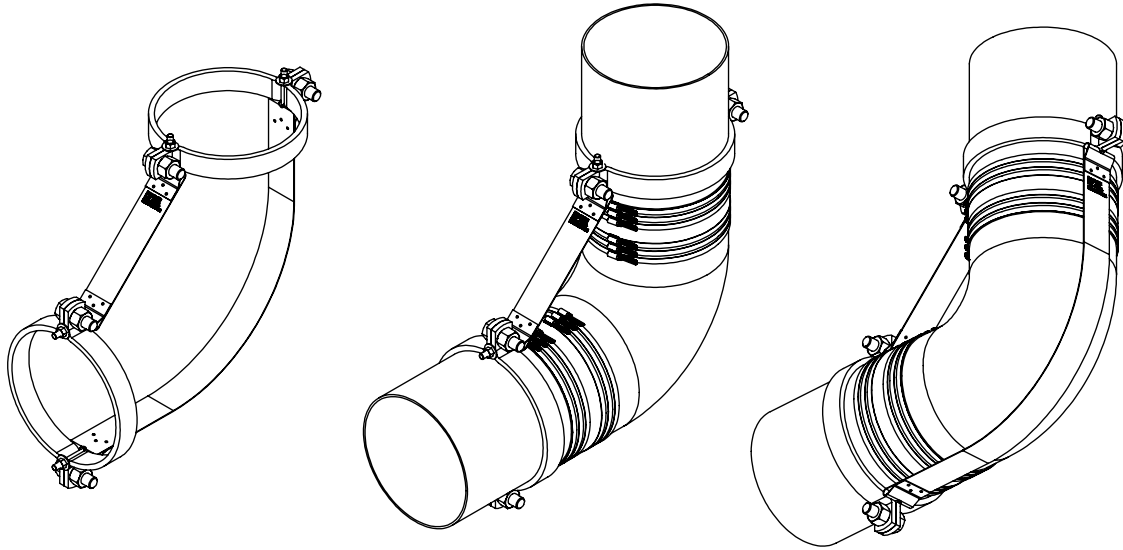


PRODUCT SPECIFICATION DRAWING
HOLDRITE® #117-10, -12 & -15 (K or K-G) Series No-Hub Fitting Restraints



THE HOLDRITE® #117-K Series No-Hub Restraints are designed to reinforce no-hub cast iron installations at 90° changes of direction in accordance with the installation instructions of U.S. cast iron soil pipe manufacturers, CISPI designation 310-11 and the 2006 CISPI Installation Handbook. The #117-10K (10" size), #117-12K (12" size) & #117-15K (15" size) retain the 90° elbow onto the adjoining piping. When installed correctly, these restraint brackets achieve a safe thrust pressure rating equal to 50' head of water pressure for 10" models and 40' for 12"-15". Models ending in "-G" represent "galvanized". Clamps to be torqued to 60 ft./lbs.

NOTE:

While these restraint kits aid in compliance with the 2006 CISPI Handbook, they are not intended to suggest that no-hub pipe and fittings should be subjected to pressures in excess of the pipe manufacturers' recommendations.

Product Information:

- Material:
 - Strap: 16GA, CRS, galvanized
 - Clamp: Heavy Duty Black or Galvanized Steel Pipe Clamp
 - Hardware: Standard (K) or Galvanized (K-G)
- Patent pending
- Thrust force restraint test data available upon request
- Refer to installation instructions at www.holdrite.com

THIS INFORMATION IS PROPRIETARY TO HOLDRITE AND IS SUBJECT TO CHANGE WITHOUT NOTICE. IT MAY NOT BE REPRODUCED IN PART OR WHOLE WITHOUT WRITTEN AUTHORIZATION.



| Product Submittal | |
|--------------------|------|
| Job Name: | |
| Date: | |
| Part Number: | Qty: |
| | |
| Architect / Owner: | |
| | |
| Contractor: | |
| | |
| Notes: | |
| | |
| | |