

## ADA Revive Collection

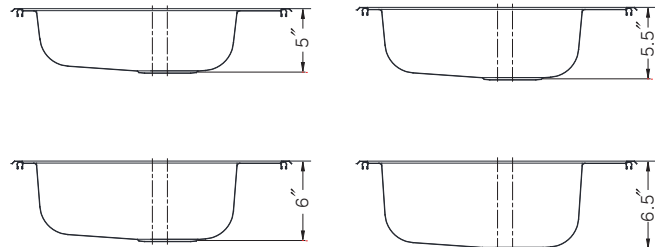
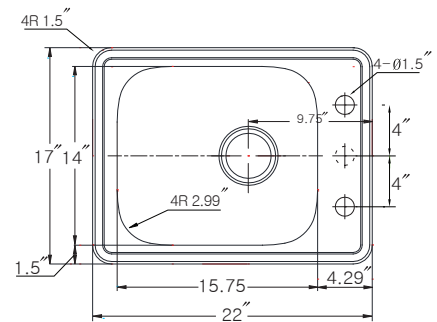
# Topmount Single Bowl Model TADA-2217ST



### FEATURES

- Premium grade T-304 stainless steel
- 5", 5.5", 6", 6.5" depth
- 18 gauge • 1 or 2 holes
- StoneShield undercoating over Sound Deadening pad
- Lustrous satin with highlighted rim
- Fits 30 sink base
- 3-1/2" drain opening
- Supplied with cutout template, fasteners and instructions
- Complies with ASME A112.19.3-2008, cUPC®
- Lifetime Limited Warranty

TADA-2217ST



ASME A112.19.3-2008



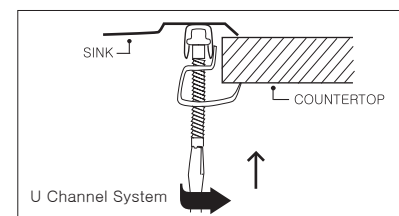
### OPTIONAL ACCESSORIES

Cutting Board : CUT-1417  
Strainer: BAS-2000-SS

OVERALL DIMENSIONS	EACH BOWL	CUTOUT SIZE	PACKAGING*	WEIGHT*
22 x 17"	15.75" x 14"	See Template	1/16/40 pcs.	10/200/340 lbs.

\*Standard packaging: Single boxed /Pallet of single boxed/Pallet of bulk pack.  
All dimensions are in inches. Specifications subject to change without notice.

### Installation profile



Project/Job name \_\_\_\_\_

Architect/Engineer \_\_\_\_\_

Contractor \_\_\_\_\_

Model \_\_\_\_\_ Q'ty \_\_\_\_\_

Notes \_\_\_\_\_