

41068

PAPER HOLDER W/O COVER

STANDARD SPECIFICATION:

- GROHE StarLight®

*Pure Freude
an Wasser*





PRODUCT FEATURES:

-  GROHE StarLight®

CERTIFICATIONS:

AVAILABLE FINISHES:

- | | |
|-----------------|---|
| 41068000 |  StarLight® Chrome |
| 41068A00 |  Hard Graphite |
| 41068BE0 |  Polished Nickel InfinityFinish™ |
| 41068EN0 |  Brushed Nickel InfinityFinish™ |
| 41068GN0 |  Brushed Cool Sunrise |

NOTE: Install this product according to the installation guide. ADA, CSA compliant when installed to the specific requirements of these regulations.

Tel: 1.630.582.7711 Fax: 1.630.582.7722

We reserve the right to make revisions without notice to product specifications.

For the most current Specification Sheet, go to www.grohe.us.

07-01-2020

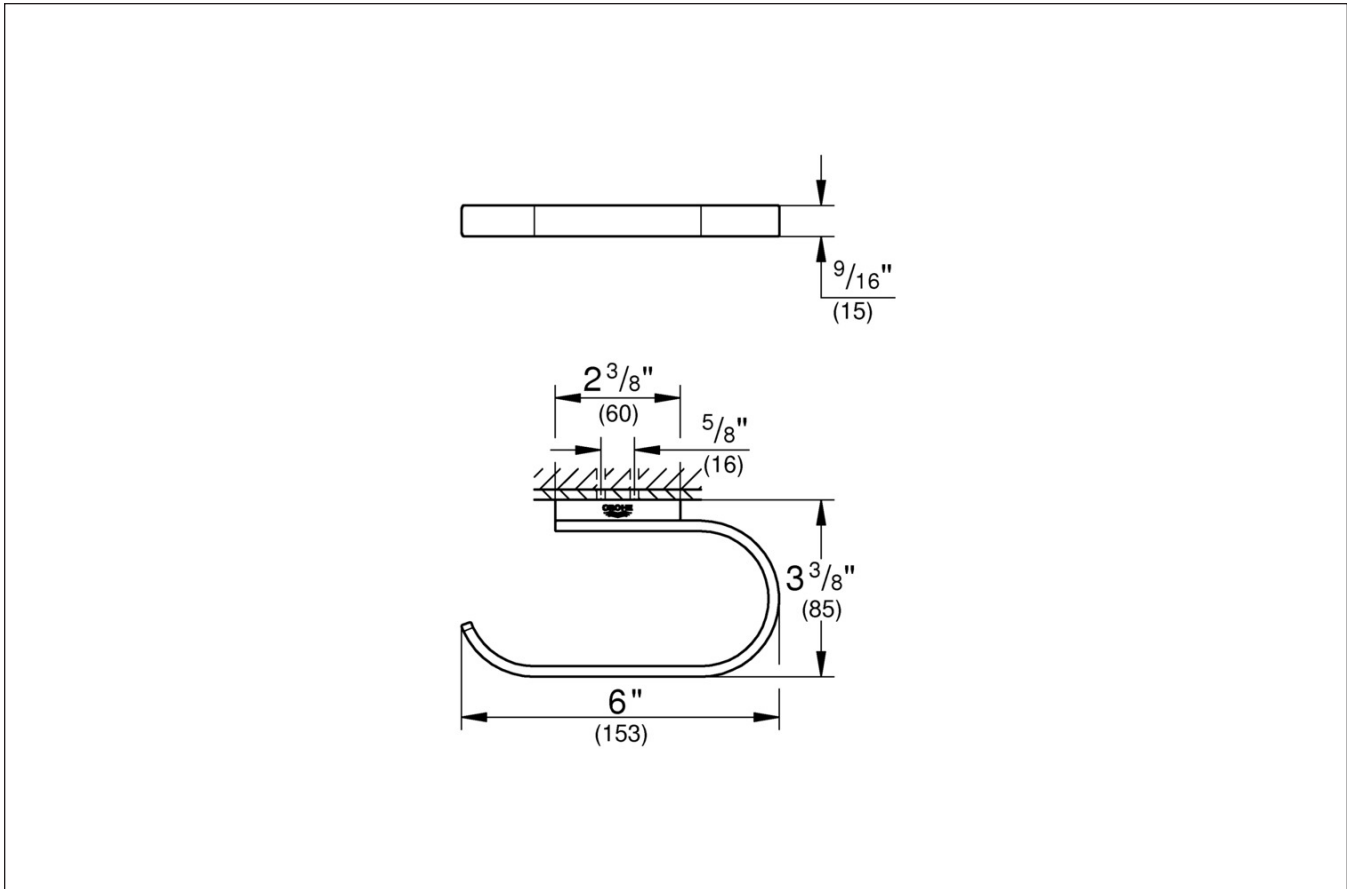
PART OF LIXIL

41068

PAPER HOLDER W/O COVER

TECHNICAL DATA:

Pure Freude
an Wasser



Tel: 1.630.582.7711 Fax: 1.630.582.7722

We reserve the right to make revisions without notice to product specifications.

For the most current Specification Sheet, go to www.grohe.us.

07-01-2020

PART OF LIXIL