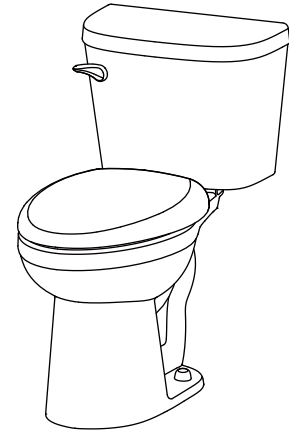


12" Rough-in

Features:

MX-20-918

- Vitreous china
- Combination bowl and tank
- 3" Flush valve
- 12" Rough-in
- Elongated ErgoHeight® bowl
- Dual-fed siphon jet action bowl (no splashing)
- 2" Fully Glazed trapway for effective waste removal
- Color matched metal tank lever
- 6 point tank to bowl connection for tank stability
- Sanitary bead for easy cleaning
- Color matched Bolt caps included
- Toilet seat not included



Technical Information:

Included Components:

- Combination MX-20-918
- Bowl MX-21-928
- Tank MX-28-990

Other Tank Options: (bowl to be purchased separately)

- Insulated Tank MX-28-992
- Tank with Right Hand Lever MX-28-990-97

Fixtures:

Configuration	Two-piece, ADA Elongated®
Water per Flush	1.6 gpf (6 lpf)
Rough-In	12"
Height	30 1/4"
Width	17 5/16"
Depth	28 1/4"
Trapway	2"
Large Water Surface	8 11/16" x 6 5/16"
Product Weight	81 lbs

Accessories:

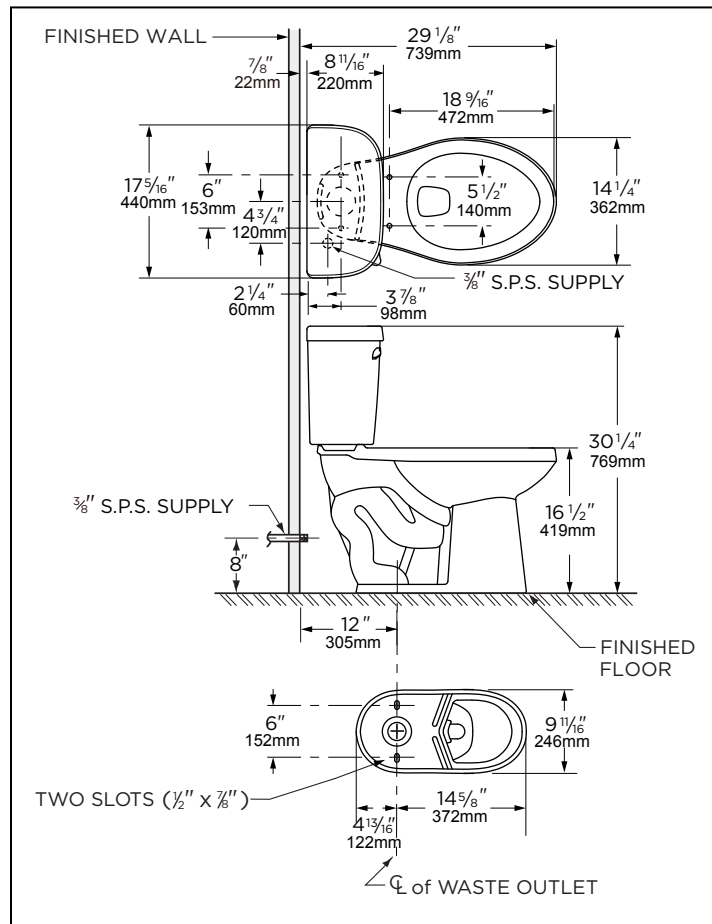
Soft Close Toilet Seat	99-213
------------------------	--------

Colors:

- White
- Other: Refer to Price Book for additional colors

Warranty:

- Limited lifetime warranty



NOTES: All dimensions are in inches and millimeters. Illustrations may not be drawn to scale.

IMPORTANT: Dimensions of fixtures are nominal and may vary within the range of tolerances established by ASME standard A 112.19.2 THIS FIXTURE QUALIFIES ACCORDING TO ASME TEST PROCEDURES AS A LOW CONSUMPTION WATER CLOSET WITH AN AVERAGE CONSUMPTION OF 1.6 gpf (6 Lpf) OR LESS.