

Features:

GLF20517

Included Components:

- Combination GLF20517
- Bowl GWS21528
- Tank GLF28595

- Vitreous China
- 10" Rough-In
- 3" flush valve for maximum water force
- Fluidmaster® 400A Fill Valve
- Extra-Large Dual fed siphon jets for high power bowl clearing
- 100% glazed, large trapway for clog-free waste removal
- Double nut, multi-point tank-to-bowl mounting system for tool-free installation
- Chrome, top button actuator
- Toilet seat not included



Technical Information:

| | |
|----------------------|---|
| Configuration | Two-piece, ErgoHeight™ ADA Elongated Toilet |
| Water per Flush | 0.8 gpf (3.0 Lpf) |
| Rough-In | 10" |
| Height | 31 1/8" |
| Width | 18 1/4" |
| Depth | 27 7/16" |
| Trapway | 1 11/16" |
| Large Water Surface | 8 11/16" x 6 5/16" |
| Shipping weight Bowl | 52 lbs |
| Shipping weight Tank | 30.2 lbs |

Accessories: (to be purchased separately)

N/A

Other Tank Options: (bowl to be purchased separately)

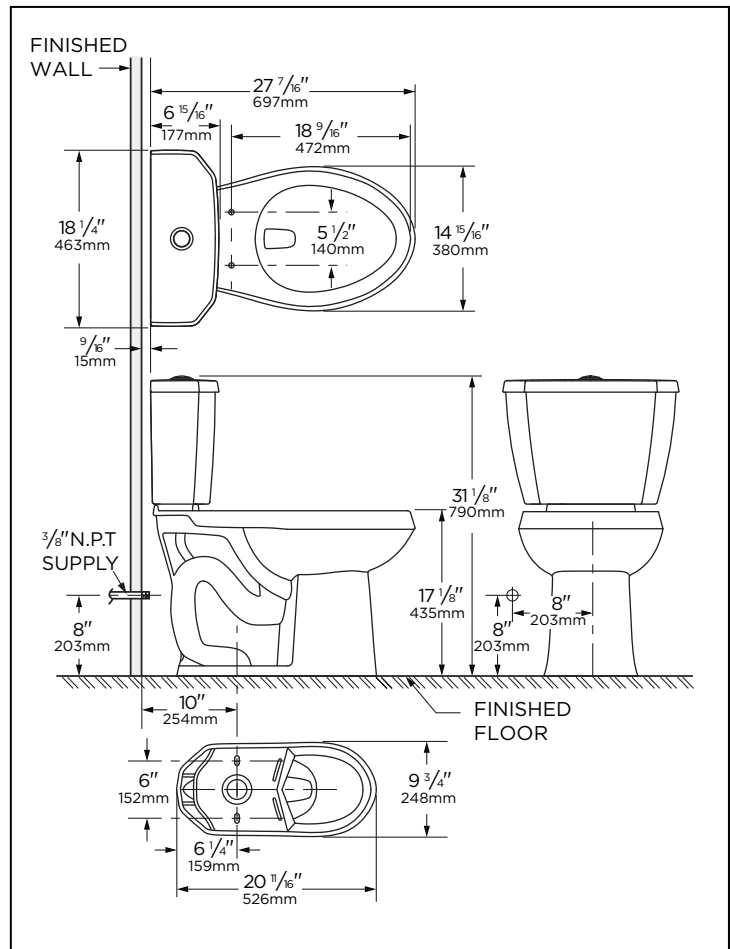
N/A

Available Colors:

- White
- Other: Refer to Price Book for additional colors/finishes

Warranty:

- Limited Lifetime on Vitreous China, refer to the website for more details.



NOTES: All dimensions are in inches and millimeters. Illustrations may not be drawn to scale.

IMPORTANT:

Dimensions of fixtures are nominal and may vary within the range of tolerances established by ASME standard A 112.19.2 THIS FIXTURE QUALIFIES ACCORDING TO ASME TEST PROCEDURES AS A HIGH EFFICIENCY WATER CLOSET WITH AN AVERAGE CONSUMPTION OF 0.8 gpf (3.0 Lpf) OR LESS.