


SPECIFICATIONS

Features/Benefits

- Ceramic Disc Cartridge
- 9" High Spout, 5 3/16" Spout Length
- With Metal Touch-Down Drain Assembly
- 3-Hole Mount, 4" - 12" Installation
- 1.2 gpm (4.5 L/min) Maximum Flow Rate @60 psi

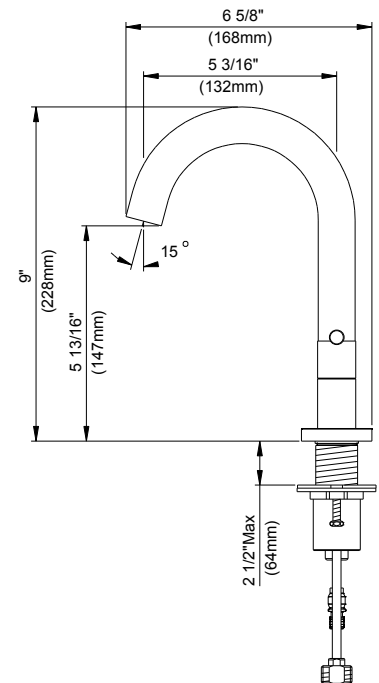
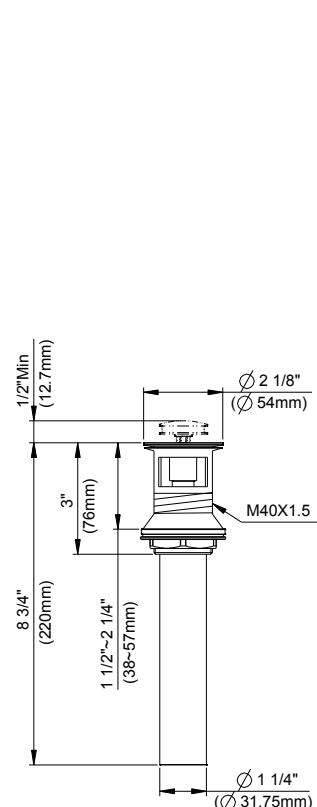
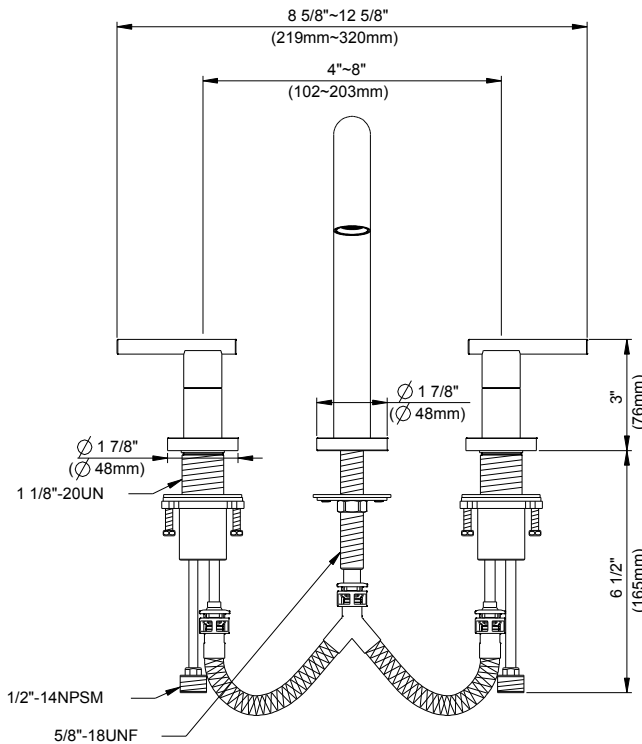


Available Color/Finishes

Color	Description
	Chrome

Please see danze.com or current price list for available finishes.
Finish is defined by additional suffix.

Standards & Certifications



Submittal Information:

Name: _____
Location: _____

Contractor: _____
Contact #: _____