

## FINISH CARE & CLEANING

Use only 100% cotton cloth dampened with water to clean. DO NOT use detergents, cleaners or other abrasive materials as they may damage the finish and void the warranty. With proper care, your new GERBER product will give you years of trouble free service and enjoyment.

## CUIDADO Y LIPIEZA DEL ACABADO

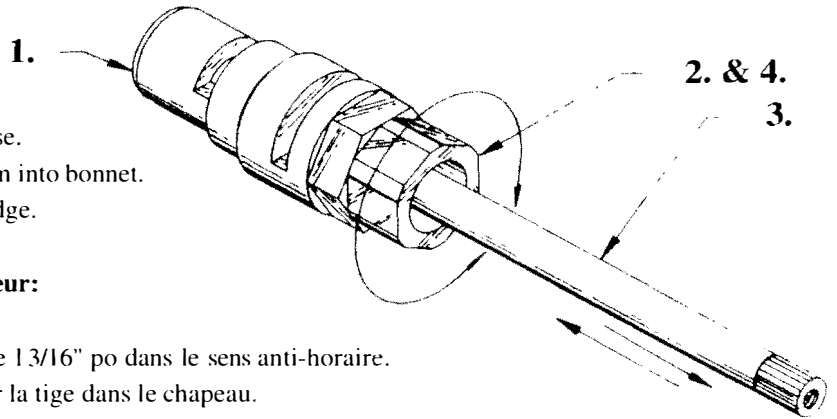
Para limpiar siempre use tela 100% algodón humedecida con agua. NO use detergentes, limpiadores u otros materiales abrasivos ya que ellos podrían dañar el acabado y anular la garantía. Cuidado apropiadamente, su nuevo producto GERBER le dará años de servicio sin problemas.

## FINITION ET NETTOYAGE

Pour le nettoyage, n'utiliser que du tissu 100% coton, légèrement humide. NE PAS utiliser de détergents, de nettoyeurs ou d'autres matières abrasives, car ces produits pourraient endommager le fini et annuler la garantie. Avec les soins adéquats, votre nouveau produit GERBER vous procurera service et satisfaction pendant de nombreuses années.

### Ceramic Cartridges Only- reversing valve action:

1. Visually assure the valve is closed.
2. Turn 13/16" packing nut one full turn counter-clockwise.
3. Pull stem away from bonnet. Turn stem 180°. Push stem into bonnet.
4. Turn packing nut one full turn clockwise. Install cartridge.



### Cartouches de céramique seulement- robinet à inverseur:

1. Vérifier visuellement que la valve est fermée.
2. Faire faire un tour complet à l'écrou de presse-garniture 13/16" po dans le sens anti-horaire.
3. Retirer la tige du chapeau. Tourner la tige à 180°. Entrer la tige dans le chapeau.
4. Faire faire un tour complet à l'écrou de presse-garniture dans le sens des aiguilles d'une montre. Insérer la cartouche.

### Sólo para Cartuchos de Cerámica: reversión de la acción de la válvula:

1. Asegúrese visualmente que la válvula está cerrada.
2. Torne la tuerca de apretado de 13/16" una vuelta completa en el sentido contrario a las agujas del reloj.
3. Hale el vástago y sepárelo del sombrerete. Torne el vástago 180°. Empuje el vástago dentro del sombrerete.
4. Torne la tuerca de apretado una vuelta completa en el sentido de las agujas del reloj. Instale el cartucho.

#### WARRANTY

Gerber Plumbing Fixtures LLC  
Gerber Ceramic Disc Cartridge Ceramaflow Limited  
Warranty  
Gerber Washerless and Compression Type  
Cartridge Limited Warranty

#### LIMITED LIFETIME WARRANTY

GPF warrants that the ceramic disc cartridge (the valve control of the faucet) will not leak or drip for as long as it is owned by the original purchaser. If the ceramic disc cartridge malfunctions or proves defective upon inspection by GPF after the valve has been returned, then GPF will repair or replace such part, at GPF's option, free of charge. This Limited Warranty only applies to repair or replacement of defective ceramic disc cartridges.

#### TEN (10) YEAR LIMITED WARRANTY

GPF warrants that the washerless or compression type cartridge (the valve control of the faucet) will not leak or drip for a period of ten (10) years from the date of original purchase, as shown on the original consumer-purchaser's receipt. If the washerless or compression type cartridge malfunctions or proves defective upon inspection by GPF after the valve has been returned, during the 10 year warranty period, then GPF will repair or replace such part, at GPF's option, free of charge.

This Ten (10) Year Limited Warranty only applies to repair or replacement of defective washerless or compression type cartridges. Normal wear of washers, seats, o-rings, sealants and lubricants is not subject to the 10 year Warranty.

#### TWO (2) YEAR LIMITED WARRANTY ON OTHER PARTS

GPF warrants to the original consumer-purchaser of this product that for a period of two (2) years from the date of original purchase, this product will be free from defects in material and workmanship under normal, reasonable use in accordance with product installations carry a one (1) year limited warranty. All labor, shipping and freight costs and any other charges incidental to warranty and service are to be borne by the original consumer-purchaser.

GPF agrees, at GPF's option, to repair or replace this product or any part thereof which proves, upon inspection by GPF after such product is returned, to be defective in material or workmanship.

GPF will not be liable for any labor, shipping, freight, or any other charges incurred by the original consumer-purchaser in acting upon the above warranties. Installation or use of the faucet or valve not in accordance with product instructions or improper use, abuse or neglect of, or accident to, the faucet or valve will void the above warranties.

To receive replacement or repair of either the ceramic disc cartridge, washerless or compression type cartridge or another part of this product, send the defective part, together with the original sales receipt or a copy thereof showing the date of purchase, to:

Gerber Plumbing Fixtures LLC  
2500 Internationale Parkway  
Woodridge, IL 60177  
ATTN: Customer Service

If the Federal Consumer Product Warranties Act applies to the original purchaser of this product, then any implied warranties which may be applicable under state law, such as any implied warranty of merchantability or any implied warranty of fitness for a particular purpose, are limited with respect to the ceramic disc cartridge to ten (10) years and with respect to all other parts to two (2) years.

Other than as described above, GPF disclaims any and all other warranties, express or implied, including any warranties of merchantability or fitness for a particular purpose. In no event shall Gerber Plumbing Fixtures LLC be liable to anyone for incidental or consequential damages.

The above warranties give you specific legal rights, and you may also have other rights which vary from state to state. Certain federal and state laws may limit or disallow disclaimers of incidental or consequential damages and/or limitations on implied warranties. January 1995

#### Warning:

This product might require to be installed with an automatic temperature compensating device to reduce the risk of scalding and thermal shock. Check with the local plumbing code requirement before installation. The product should be installed by the local licensed plumber.

#### Advertencia:

La instalación de este producto podría exigir la utilización de un dispositivo automático de compensación de la temperatura para reducir el riesgo de sufrir escaldaduras o choque térmico. Antes de la instalación, consulte las exigencias del código local de plomería. El producto ha de ser instalado por un plomero local autorizado.

#### Avertissement :

Il peut être nécessaire d'installer ce produit conjointement avec un dispositif automatique de compensation de la température pour réduire les risques de brûlures et de choc thermique. Vérifier les exigences du code de la plomberie qui s'applique avant de procéder à l'installation. Ce produit doit être installé par un plombier qualifié pour exercer dans cette région.



GERBER

Gerber Plumbing Fixtures LLC  
2500 Internationale Parkway  
Woodridge, IL 60177  
ATTN: Customer Service  
www.gerberonline.com 1-888-645-6466

Type	A	B min.	B max.	D (slot)	E	F
	in / (mm)	in / (mm)	in / (mm)	in / (mm)	in / (mm)	in / (mm)
2 Handle; 6"; Sliding Trim	3 (75)	1 3/8 (35)	4 (100)	***	***	***
2 Handle; 8"; Sliding Trim	4 (100)	1 3/8 (35)	4 (100)	***	***	***
2 Handle; 8"; Threaded Trim	4 (100)	1 3/8 (35)	2 7/8 (73)	***	***	***
2 Handle; 8"; w/ Stops	4 (100)	1 3/8 (35)	4 (100)	13/4(43)X3 1/2(85)	***	
3 Handle; 8"; Sliding Trim	4 (100)	1 3/8 (35)	4 (100)	***	***	
3 Handle; 8"; Sliding Trim	4 (100)	1 3/8 (35)	2 7/8 (73)	***	***	
3 Handle; 8"; w/ Stops	4 (100)	1 3/8 (35)	4 (100)	13/4(43)X3 1/2(85)	***	***
3 Handle; 11"; Sliding Trim	5 1/2 (135)	1 3/8 (35)	4 (100)	***	***	***
4 Handle; 6"; Sliding Trim	3 (75)	1 3/8 (35)	4 (100)	***	5 (122)	Ø1 3/4 (43)

**NOTE:**

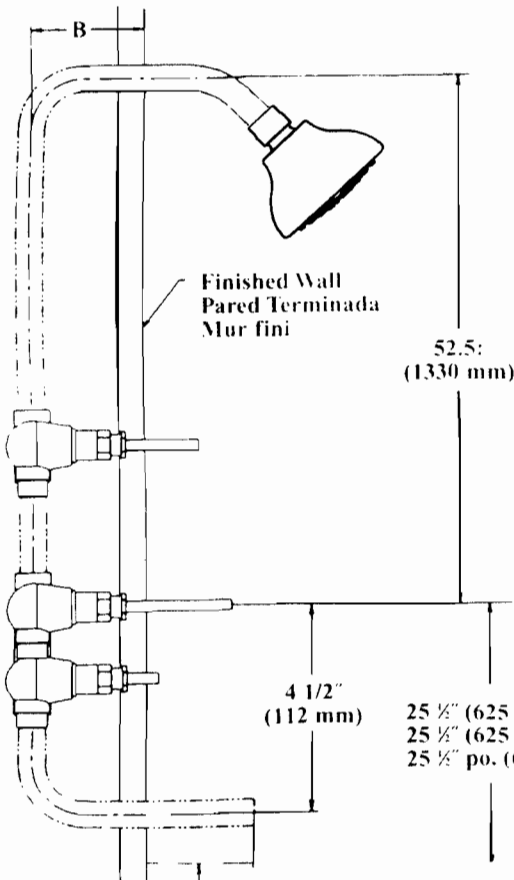
- The suggested installation dimensions given cover all combinations manufactured. Use only the suggested dimensions that apply to your fixture design.
- The fittings should be installed by the licensed plumber of the State.

**OBSERVACIÓN:**

- Las dimensiones de instalación sugeridas cubren todas las combinaciones que se fabrican. Use sólo las dimensiones sugeridas que se aplican al diseño de su aparato.
- Las conexiones han de ser instaladas por un plomero autorizado del Estado.

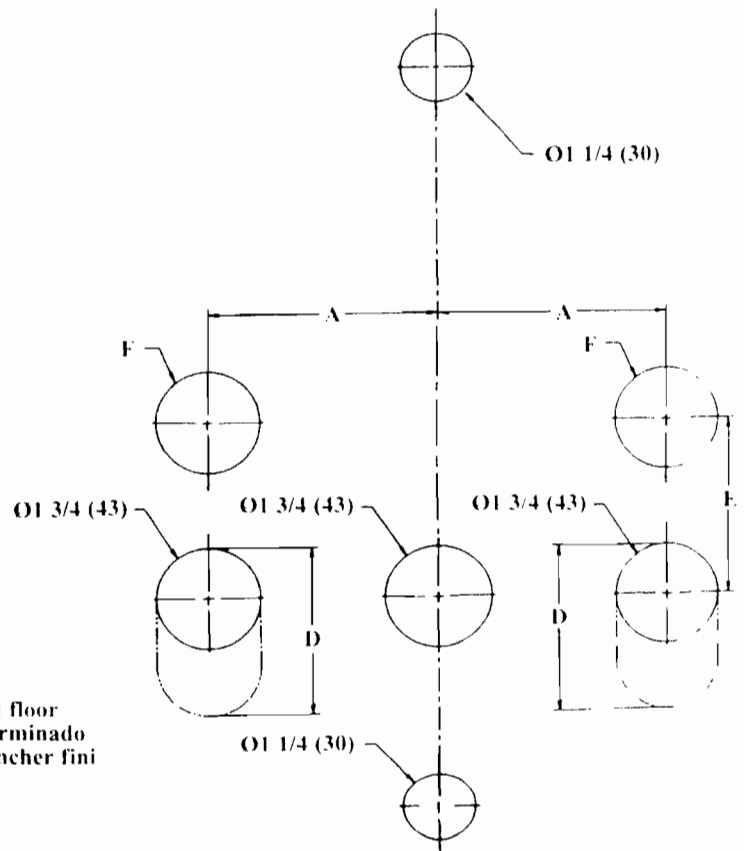
**NOTE:**

- Les dimensions d'installation mentionnées ici s'appliquent à toutes les combinaisons manufacturées. N'utiliser que les dimensions qui conviennent à votre appareil de robinetterie.
- Les raccords doivent être installés par un plombier qualifié pour exercer dans cette province.



25 1/2" (625 mm) to finished floor  
 25 1/2" (625 mm) del piso terminado  
 25 1/2" po. (625 mm) au plancher fini

For 5/8" Copper Tube: 2 7/8" (70) maximum- 1 1/2" (36) minimum  
 Para Tubo de Cobre de 5/8": máximo 2 7/8" (70) - mínimo 1 1/2" (36)  
 Pour tuyau en cuivre 5/8 po: maximum 2 7/8 po (70) - minimum 1 1/2 po (36)



Item #	Description	Chrome	White	Polished Brass	Item #	Description	Chrome	White	Polished Brass
1	Shower Head	49-199		88-527	19	Washer	90-940		
1A	Shower Head Deluxe	49-198	W8-301	88-307	20	Seat	90-161		
2	Shower Arm	92-012	W2-012	H2-012	21	Seat Washer	90-341		
3	Flange	92-021	W2-021	H2-021	21A	Washer Screw	90-092		
4	Spout, Diverter, IPS	92-573	W2-573	H2-573PV	22	Stem, Compression, Hot	98-673		
4A	Spout, Diverter, Slip	98-241	W8-241	H8-241PV		Stem, Compression, Cold	98-674		
5	Spout, Plain, IPS	90-275	W0-275	H0-275PV	23	Stem, Ceramic, Hot	98-705		
5A	Spout, Plain, Slip	98-240	W8-240	H8-240PV		Stem, Ceramic, Cold	98-709		
6	Sleeve, Sliding Trim	90-021	W0-021	H0-021PV	24	Packing	90-460		
7	Escutcheon, Threaded Trim	90-268			25	Bushing	90-040		
8	Escutcheon, Maintenance Stop	90-263			26	Stem s/a, Maintenance Stop	98-571		
9	Escutcheon	97-600	97-600	H7-600	27	Stem s/a, Diverter	98-726		
10	Standard Handle s/a; Shding trim; HOT	97-915			28	Coupling	90-170		
	Standard Handle s/a; sliding trim; COLD	97-916			29	Coupling Nut	96-690		
	Standard Handle s/a; sliding trim; ARROW	97-917			30	Steel Plate	90-251		
11	HARDWATER Handle s/a; sliding trim; HOT	97-950	97-956	97-957	31	3 Handle Body, Maintenance Stops			
	HARDWATER Handle s/a; sliding trim; COLD	97-950	97-956	97-957	32	2 Handle Body, Maintenance Stops			
	HARDWATER Handle s/a; sliding trim; ARROW	97-950	97-956	97-957	33	2 Handle Body			
12	Crystallite Handle s/a; Shding trim; HOT	98-427			34	Ejector Tee			
	Crystallite Handle s/a; Shding trim; COLD	98-428			35	4 Handle Body			
	Crystallite Handle s/a; Shding trim; ARROW	98-429			36	Valve Body, 90 degree			
13	Old Style Handle s/a; sliding trim; HOT	98-823			37	Valve Body, Straight, 1/2 or 3/4 IPS			
	Old Style Handle s/a; sliding trim; COLD	98-824			38	Valve Body, Straight, Sweat, 1/2			
	Old Style Handle s/a; sliding trim; ARROW	98-825			39	Valve Body, Straight, Sweat, 3/4			
14	Standard Handle S/a; threaded trim; HOT	97-912			40	Handle Screw	90-700		
	Standard Handle S/a; threaded trim; COLD	97-913			41	Handle Screw, Long	90-705		
	Standard Handle S/a; threaded trim; ARROW	97-914			42	Stop Escutcheon Screw	90-230		
15	HARDWATER Handle s/a; threaded trim; HOT	97-940	97-946	97-947	43	Index Button, Hot	90-253		
	HARDWATER Handle s/a; threaded trim; COLD	97-940	97-946	97-947		Index Button, Cold	94254		
	HARDWATER Handle s/a; threaded trim; ARROW	97-940	97-946	97-947		Index Button, Plain	94-256		
16	Crystallite Handle s/a; threaded trim; HOT	98-443			44	Index Button, Finished	94-211	W4-211	H4-211PV
	Crystallite Handle s/a; threaded trim; COLD	98-443				Index Button, Hot	94-445		
	Crystallite Handle s/a; threaded trim; ARROW	98-445			45	Index Button, Cold	94-446		
17	Old Style Handle s/a; threaded trim; HOT	98-826			46	Index Button, Plain	94-447		
	Old Style Handle s/a; threaded trim; COLD	98-827				Washer	90-311		
	Old Style Handle s/a; threaded trim; ARROW	98-828				47	Twin Ell	92-575	
18	Nipple	90-067			48	3 Handle Body			

**All 2 handle valves must have the water inlets pointed towards floor.**

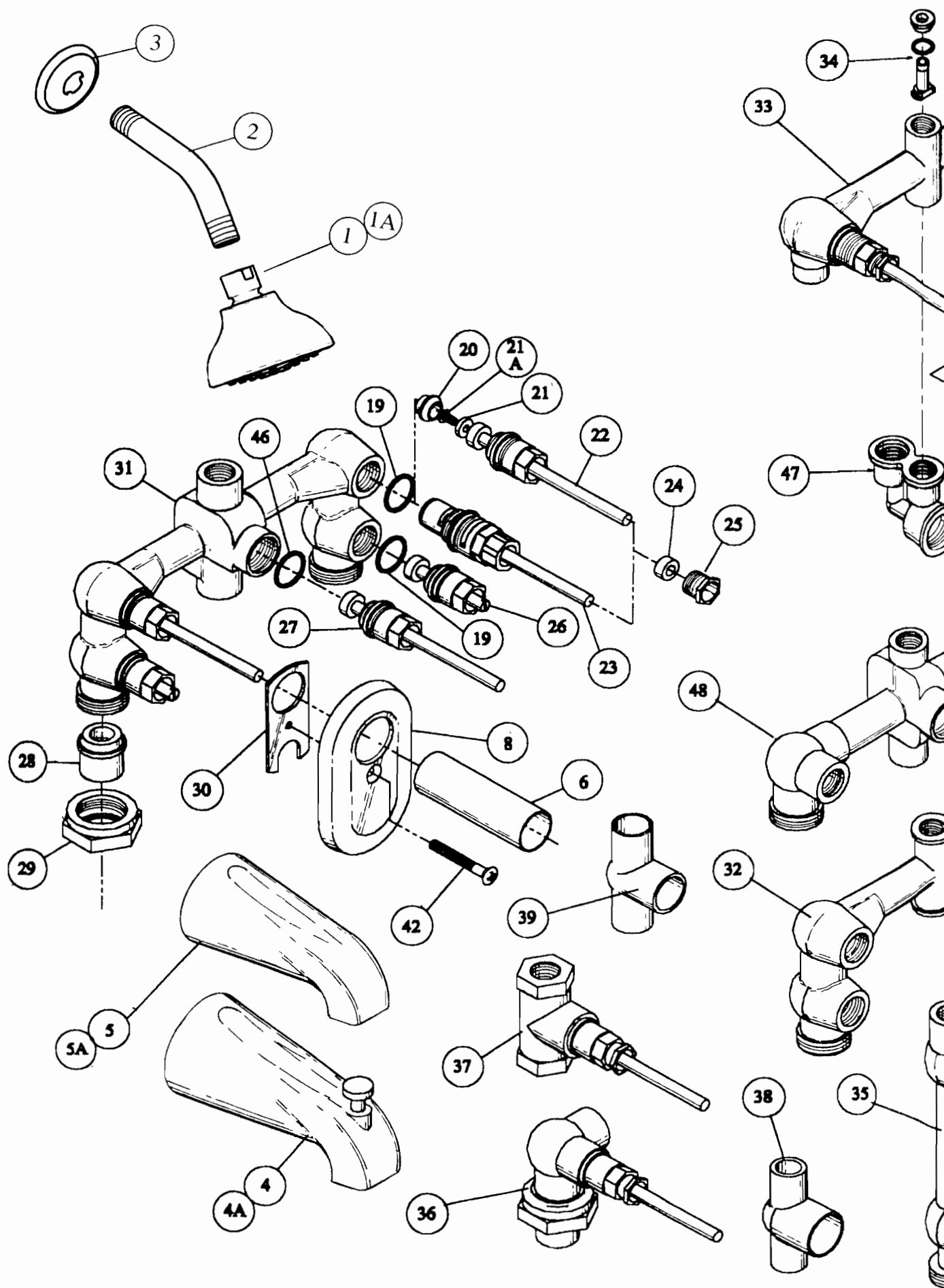
**When soldering, do not overheat the center, ejector tee area, or drop hot solder onto the ejector tee!**

**Todas las valvulas de dos llaves deben tener las bocas de entrada de agua dirigidas hacia e piso**

**Al soldar, no caliente mucho el centro, el area te del eyector, o bote soldadura caliente sobre la te del eyector!**

**Les prise d'eau des robinets a 2 poignees doivent etre dirigees vers le placher.**

**Lors de la soudure, ne pas surchauffer le centre ou la zone du te d,ejection, et ne pas laisser tomber de la soudure chaude sur le te d,ejection!**



**NOTE:**

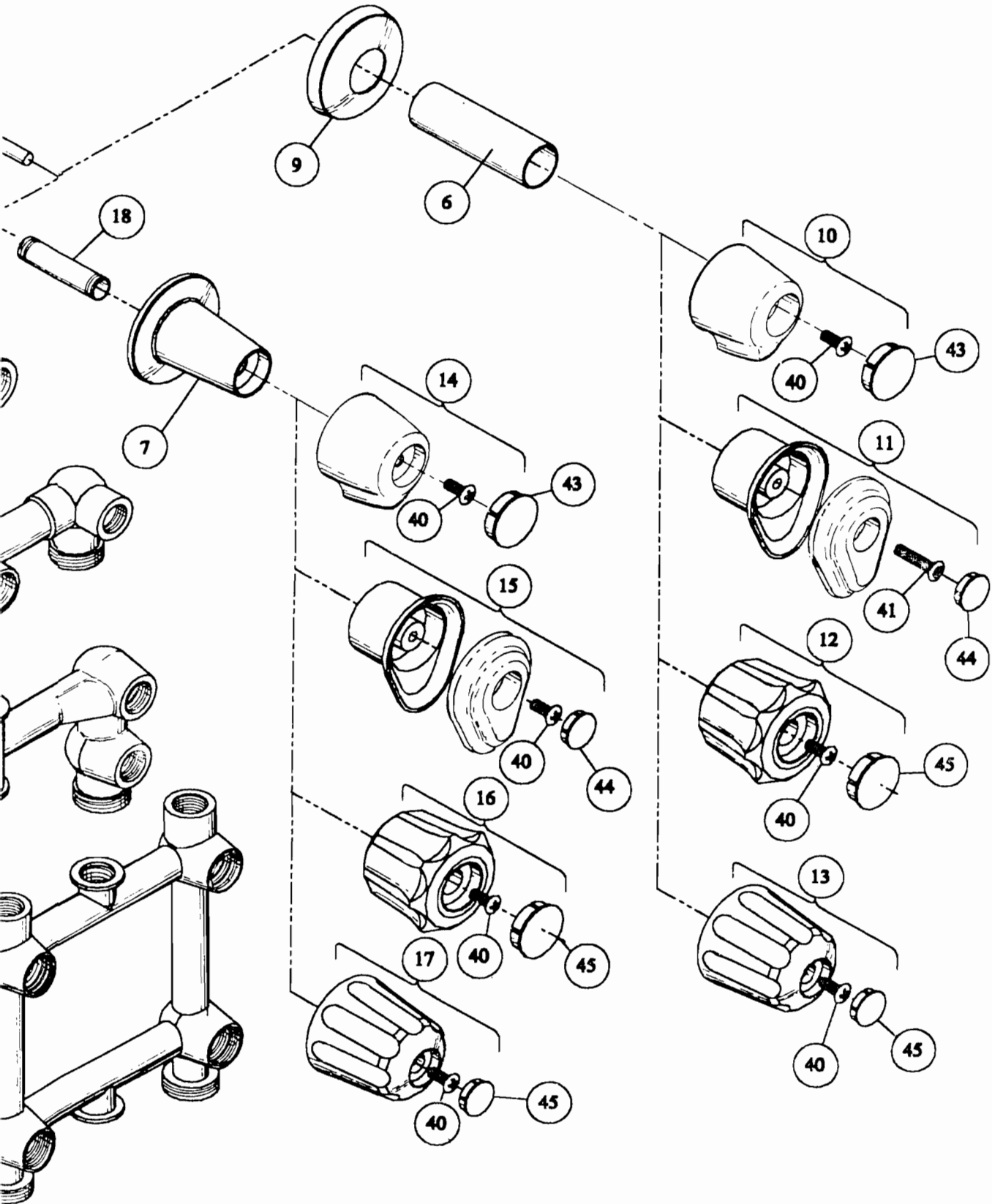
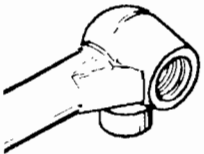
•This drawing shows all possible parts. Determine which parts are appropriate to your installation.

**OBSERVACIÓN:**

•Este esquema muestra todas las partes. Determine qué partes son las apropiadas para su instalación.

**NOTE:**

•La présente illustration montre la totalité des pièces. Sélectionner les pièces nécessaires à votre type d'installation.



# 2, 3, or 4 Handle Tub & Shower Valves

**INSTALLER: You are responsible for installation and adjustment in accordance with these instructions.**

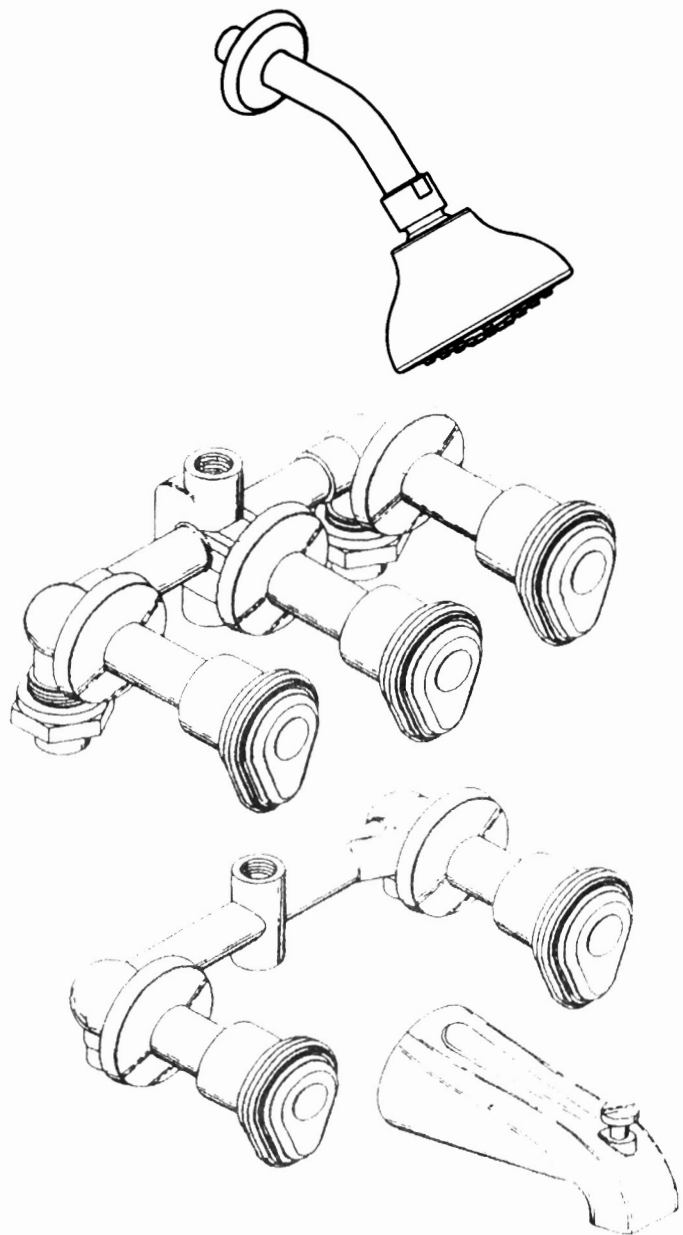
- Familiarize yourself with the various parts of the valve assembly (see exploded drawing). Make sure you have all the parts on hand before beginning installation.
- All 2 handle valves **MUST** have the water supply attach from the floor side of the valve!
- Use sealant on all pipe threaded joints.
- For tub or shower only installations, install provided  $\frac{1}{2}$  IPS brass plug.
- After installation, flush lines and check for leaks.

**INSTALADOR: Usted es responsable de que la instalación y el ajuste se hagan de acuerdo a estas instrucciones.**

- Familiarícese con las diferentes partes de la válvula (ver esquema). Asegúrese que tiene todas las partes de la válvula a la mano antes de iniciar la instalación.
- Todas las válvulas de dos llaves **DEBEN** tener el suministro de agua conectado por el piso del lado de la válvula!
- Use un sellador en todas las uniones de cañería con rosca.
- Sólo para instalaciones de tinas o duchas: instale el tapón de latón de  $\frac{1}{2}$  IPS.
- Después de la instalación, corra el agua de las dos llaves y chequee que no haya fugas.

**INSTALLATEUR: L'installation et l'ajustement relève de votre responsabilité et doivent être conformes aux instructions qui suivent.**

- Se familiariser avec les diverses pièces de l'appareil de robinetterie (voir illustration en éclaté). S'assurer d'avoir toutes les pièces en main avant de procéder à l'installation.
- L'arrivée d'eau de tous les robinets à 2 poignées **DOIT** être du côté du plancher!
- Utiliser du scellant sur tous les joints filetés.
- Installation de la baignoire ou de la douche seulement: installer le bouchon de laiton  $\frac{1}{2}$  IPS ci-inclus.
- Après l'installation; faire couler l'eau et vérifier l'étanchéité.



08-420A