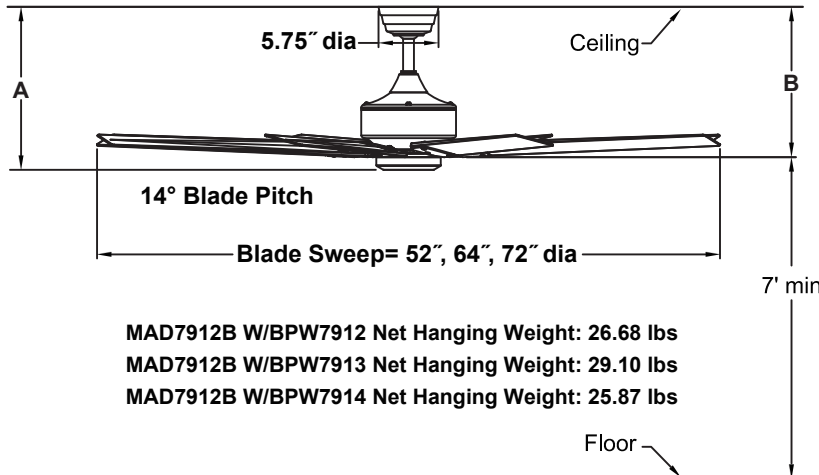


LEVON™ CUSTOM



MAD7912B
Ceiling Fan**



MAD7912B W/BPW7912 Net Hanging Weight: 26.68 lbs
 MAD7912B W/BPW7913 Net Hanging Weight: 29.10 lbs
 MAD7912B W/BPW7914 Net Hanging Weight: 25.87 lbs

Available Finishes	
BL	Black
BN	Brushed Nickel
DZ	Dark Bronze
GR	Matte Greige
GZ	Galvanized
MW	Matte White

	A	B
Fan w/6" downrod	15.58"	14.40"
Fan w/12" downrod	21.58"	20.40"
Fan w/18" downrod	27.58"	26.40"
Fan w/24" downrod	33.58"	32.40"
Fan w/36" downrod	45.58"	44.40"
Fan w/48" downrod	57.58"	56.40"
Fan w/60" downrod	69.58"	68.40"
Fan w/72" downrod	81.58"	80.40"

INSTALLATION REQUIREMENTS:

Fan must be attached to a securely anchored electrical junction box capable of withstanding a load of at least 35 lbs.

ELECTRICAL REQUIREMENTS:

Requires a grounded electrical supply line of 120 volts AC, 60 Hz, 15 amp circuit.

MOTOR SPECS:

DC-165NM sensorless DC motor is designed for optimal performance with this fan.

BLADES:

8 bladed blade sets are available in plastic and wood materials — all sold separately. See our catalog or visit www.fanimation.com for blade options.

CONTROL OPTIONS:

TR205D hand-held remote control is included. Push button remote control with 16 fan speeds, fresh air, reverse, infinite light levels, fan/light timer, home away, safe exit and off button. Optional TW206D wall control and WFR7912 WiFi receiver unit are available—sold separately. Instructions are provided with each control.

LIGHTING OPTIONS:

LK7912B One 18-watt dimmable LED.

DOWNROD OPTIONS:

Fan comes with a 1" dia. x 6" long downrod (DR1-6). Optional downrods are available in 12", 18", 24", 36", 48", 60" and 72" lengths. A downrod coupler is available for installations requiring a downrod longer than 72". The fan can be mounted on a sloped ceiling up to 27°. Optional sloped ceiling ball kits (SCB1-52) are available for slope angles greater than 27° and up to 42°. Optional close-to-ceiling kit is available as well-sold separately. Call technical support for more information.

LOCATION USE:

Fan is rated for dry and damp locations.

Airflow / Energy Efficiency Info test with BPW7913 Blade in 72" sweep					
Fan Speed	Max RPM	CFM	CFM / Watts	Amps	Watts
High (16 th)	95	8244	270	0.40	31
Med (9 th)	72	6158	445	0.21	14
Low (1 th)	48	4090	784	0.08	5

Energy Guide FTC Measured with BPW7913 Blades in 72" sweep			
Power (W _{ave})	Total Air Delivery (CFM _{ave})	Estimated Yearly Energy Cost (\$)	Ceiling Fan Efficiency (CFM/W)
21	6177	6	291