

CLAYTON, 43" OVAL CHANDELIER



PRODUCT DETAILS

| | | |
|-------------------------|---|--------------------------|
| No. | : | 37344-016 |
| Product Color | : | SILVER WITH BRUSHED GOLD |
| Product Material | : | METAL |
| Shade / Accent Colour | : | CLEAR |
| Shade / Accent Material | : | GLASS |
| Length | : | 43.25" |
| Width | : | 19.75" |
| Height | : | 13.5" |
| Overall Height | : | 87" |


LIGHT SOURCE DETAILS

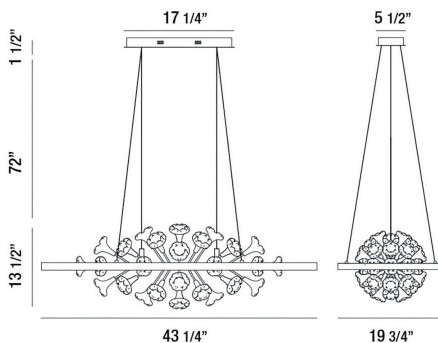
| | | |
|-------------------|---|----------------|
| Light Source Type | : | INTEGRATED LED |
| Input Voltage | : | 120V |
| Bulb Voltage | : | 120V |
| Socket Type | : | LED |
| Total Wattage | : | 40W |
| Total Lumen | : | 2400lm |
| Kelvin | : | 3000K |
| CRI | : | 90+ |
| Dimmable | : | Yes |

Options Available

| ITEM NO. | FINISH | SHADE |
|-----------|-----------------------------|-------|
| 37344-016 | SILVER WITH BRUSHED GOLD | CLEAR |

TECHNICAL DETAILS

| | | |
|---------------------------|---|---|
| Hanging Support Type | : | AIRCRAFT CABLE |
| Hanging Support Length | : | 72" |
| Canopy / Backplate Length | : | 17.25" |
| Canopy / Backplate Height | : | 1.5" |
| Canopy / Backplate Width | : | 5.5" |
| Approval | : |  |
| Title 24 | : | Yes |



PROJECT INFORMATION

 Job Name: Date: Type:

 Comments: