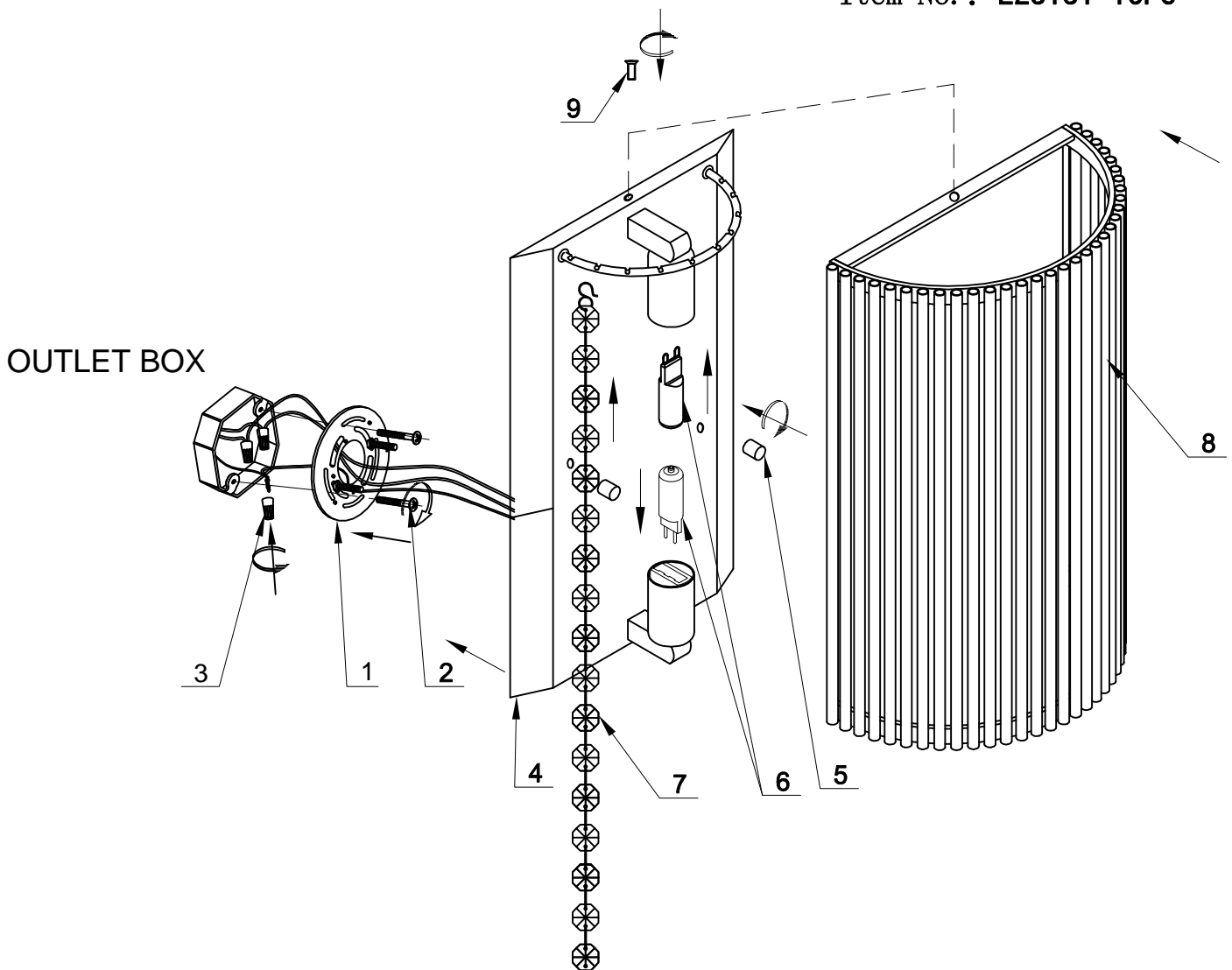


INSTALLATION INSTRUCTION

Item No. : E23131-10PC



FEATURE

- Lamp Type: "Xenon"G9 2× MAX 60W 120V \sim 60HZ
The lamp is for indoor use only