

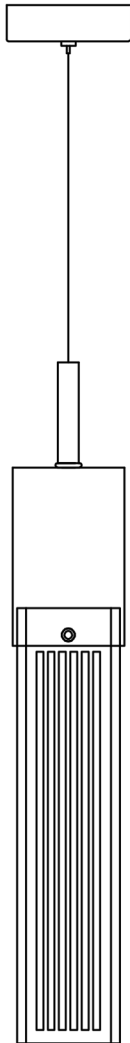


# Contemporary Lighting

**PRODUCT NAME:** Fizz Single Light Pendant

**ITEM NUMBER:** E22761-89

**Please consult your electrician for hanging fixture and wiring**



The fixture is designed with a standard Triac forward phase dimmer. Dimming levels will vary by dimmer.

Below is a list of recommended dimmers:

Lutron MACL-153M

Lutron DVL-153P

Lutron SCL-153P

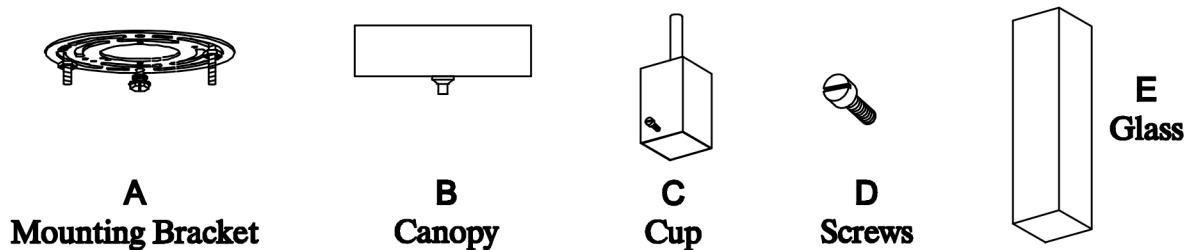
Leviton IPL06-10Z

Leviton 6674-POW

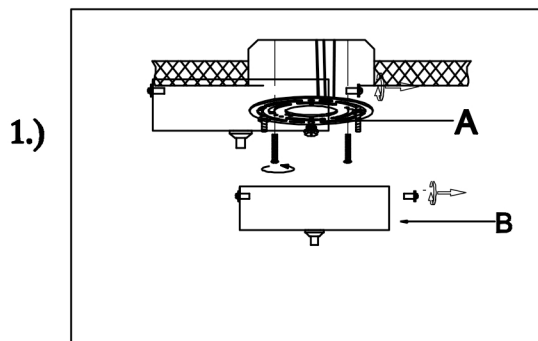
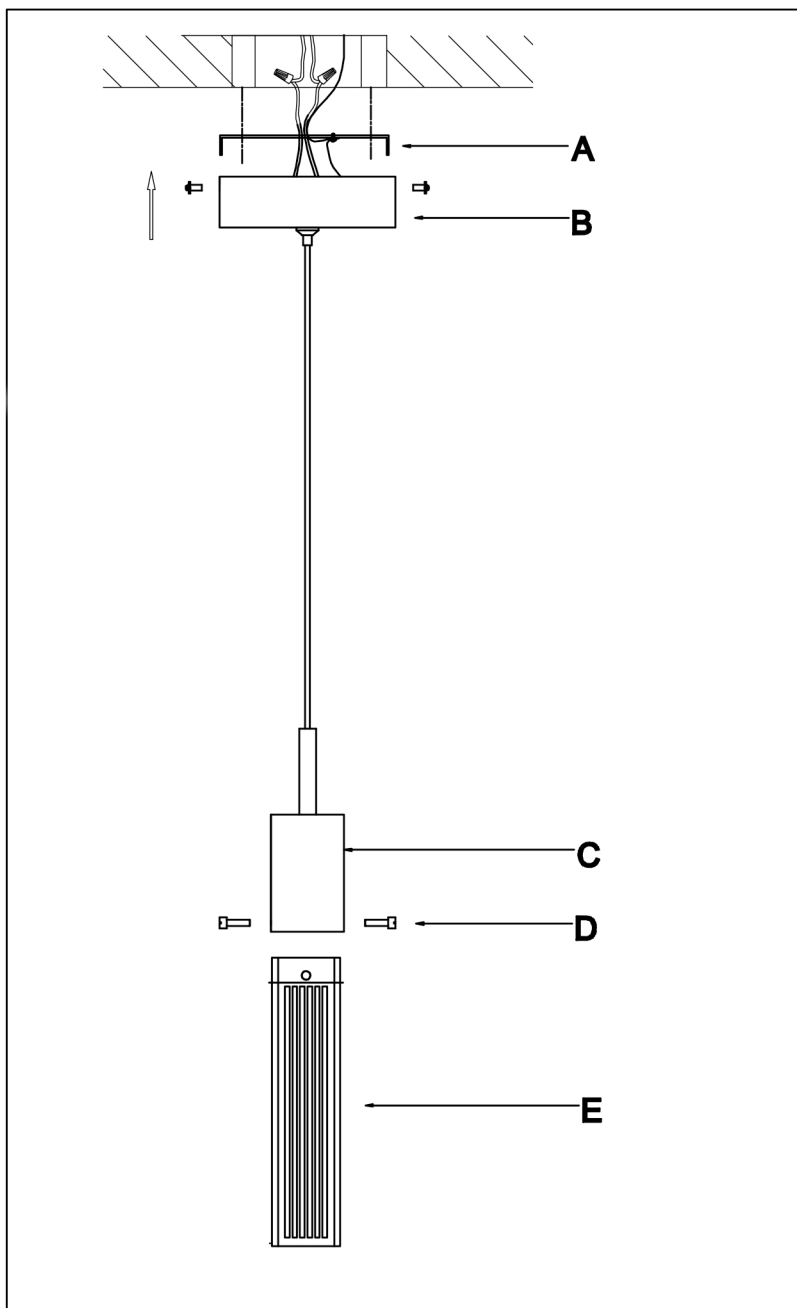
Due to inrush current wattage should not exceed 150 watts of product for a 600 watt dimmer.

**WARNING:** Wires need to be connected to driver found in canopy and should not connect directly to power source or a short might occur.

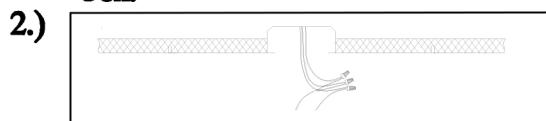
**IMPORTANT: Turn off the power at the main fuse or circuit breaker box before starting installation**



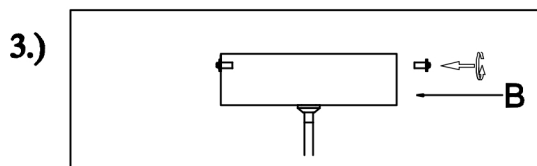
**Locate all hardware & components before discarding packaging**



**Step 1: Remove mounting bracket (A) from canopy (B) and install to electrical box.**



**Step 2: Wire fixture to wires in outlet box. Copper wire is for Ground.**



**Step 3: Adjust wire length to desired mounting height, and tighten strain relief screws to secure. Install canopy**

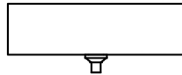
**Cleaning & Care:**

**Clean with soft cloth and a mild detergent.  
Do not use abrasive cleaner.**

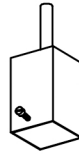
**IMPORTANT: Turn off the power at the main fuse or circuit breaker box before starting installation**



**A**  
**Mounting Bracket**



**B**  
**Canopy**



**C**  
**Cup**



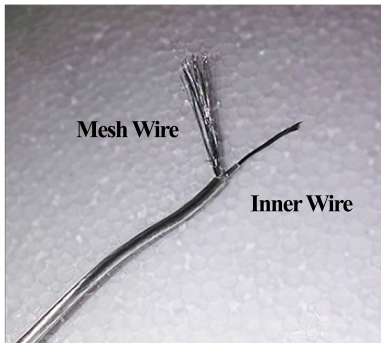
**D**  
**Screws**



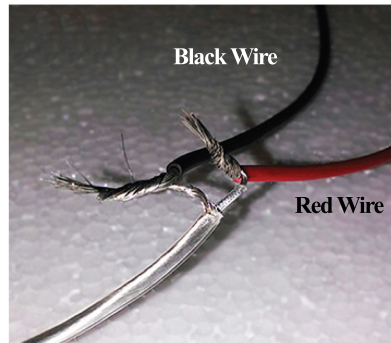
**E**  
**Glass**

**Locate all hardware & components before discarding packaging**

**Pendant Wires**

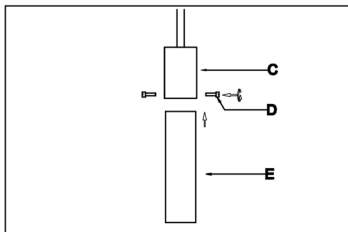


**Driver Wires**



<b>Pendant</b>	<b>Driver</b>
<b>Inner Wire (+)</b>	<b>Driver Red (+)</b>
<b>Outer Mesh (-)</b>	<b>Driver Black (-)</b>

**Step 4. If wires are cut in the process of adjusting the height, please note the pendants consist of an outer mesh (ground) and inner (live) wire that must be separated before rejoining to driver**



**Step 5. Insert glass (E) into cup (C) and secure using screws (D) provided**