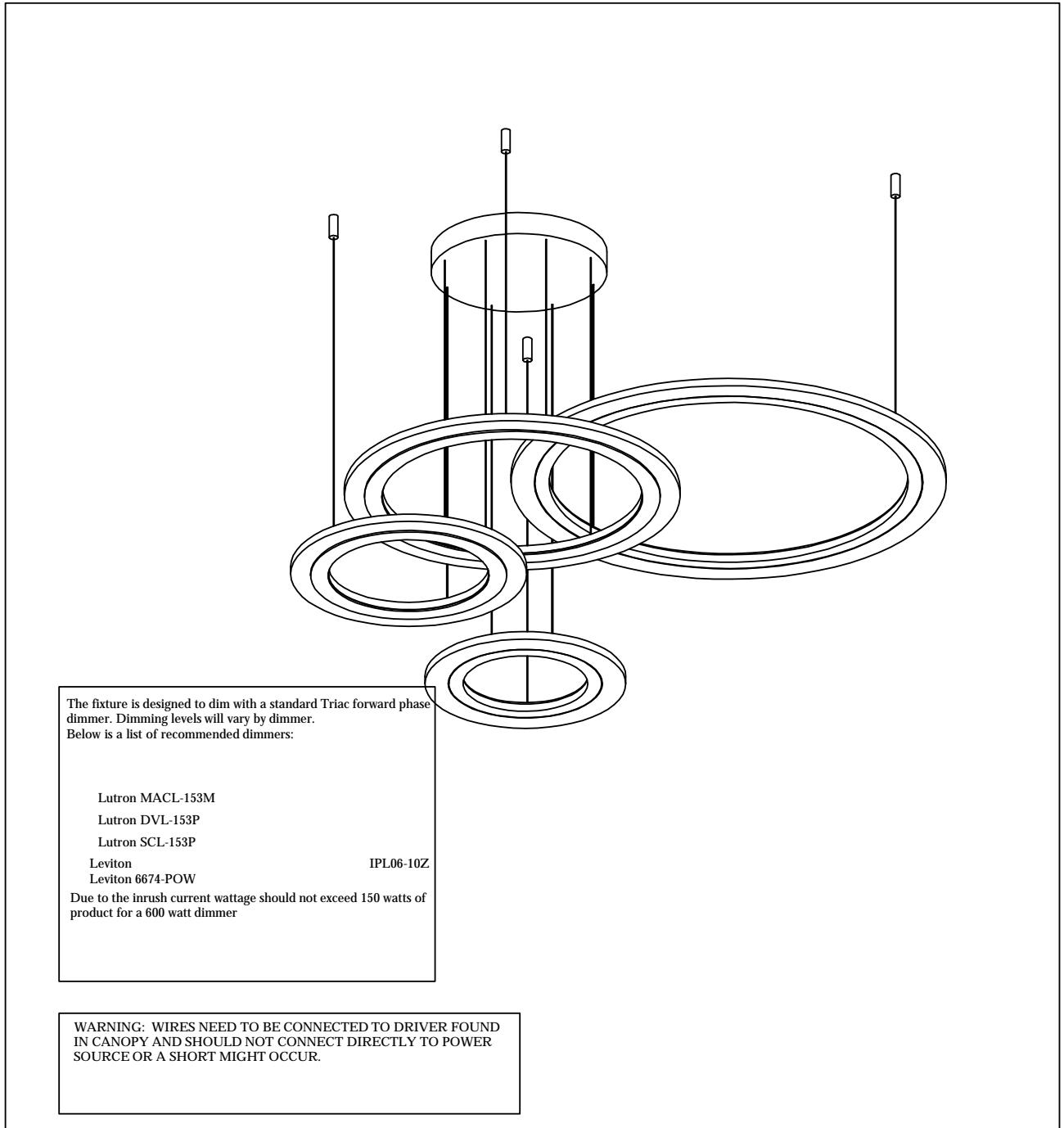


Contemporary Lighting™

PRODUCT NAME: Saturn II LED Pendant ITEM NUMBER:
E22662-11MS

Please consult your electrician for hanging fixture and wiring.

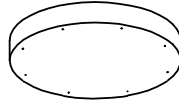


83W LED

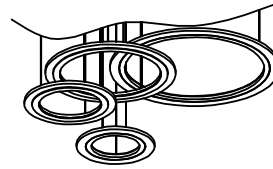
IMPORTANT: Turn off the power at the main fuse or circuit breaker box before starting installation



Bracket (A)

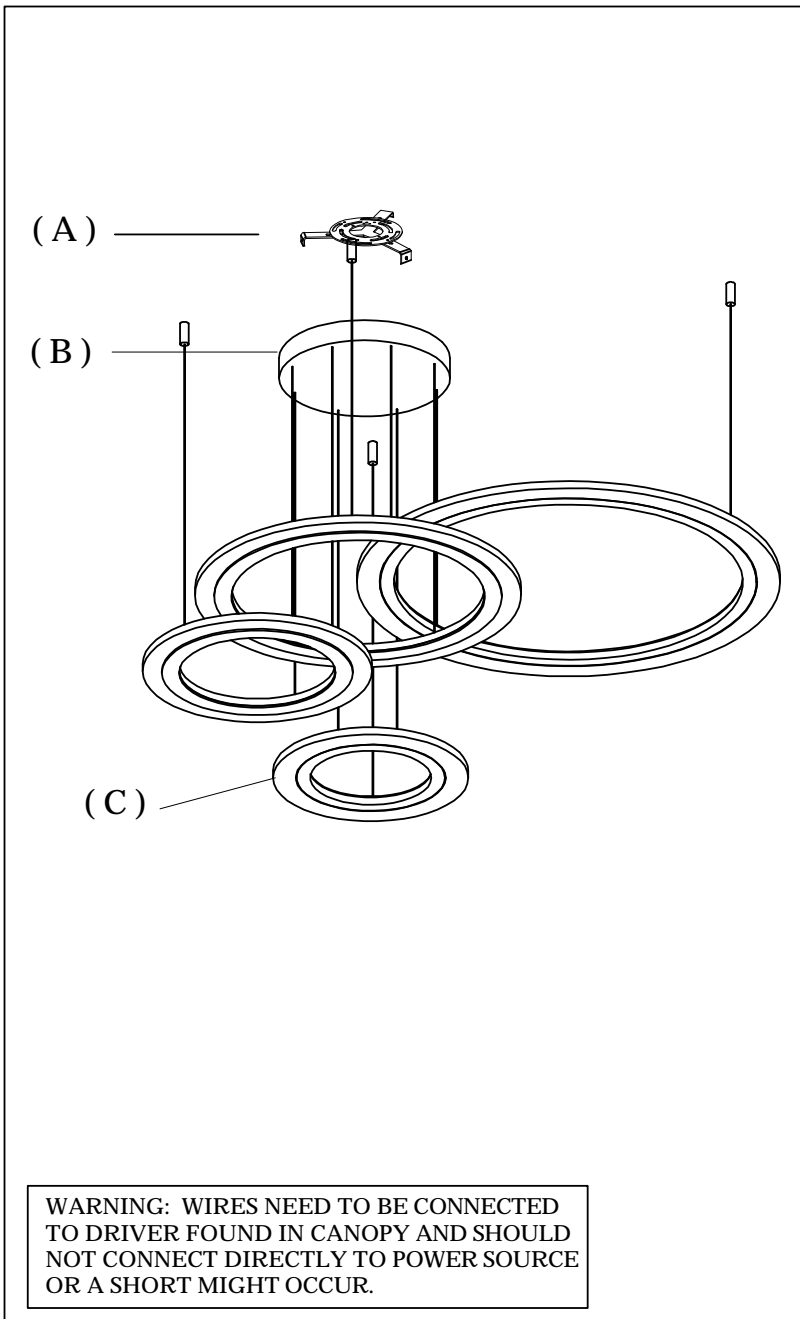


Canopy (B)

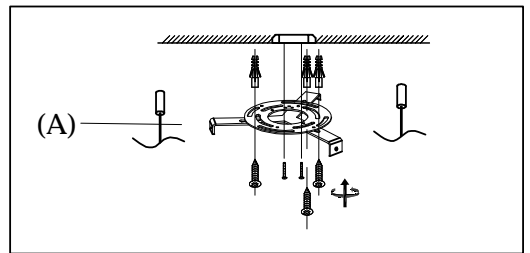


Body (C)

Locate all hardware & components before discarding packaging

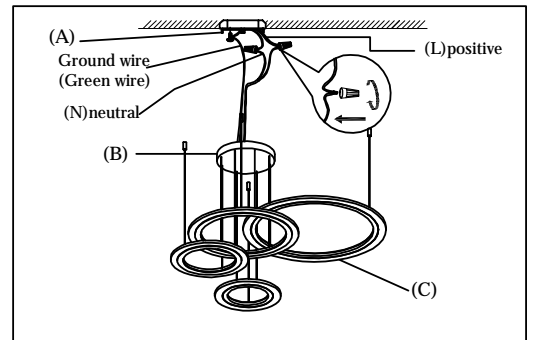


1.)



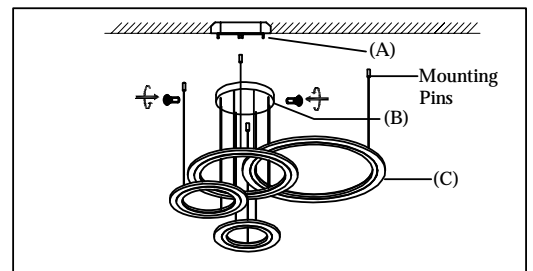
Step 1: Remove mounting bracket from fixture and install to electrical box. Mark where screws at ends of bracket meet the ceiling. Remove mounting bracket from ceiling. Drill holes using 3/16" ± drill bit where marked. Install mounting bracket to outlet box and attach anchors to secure bracket at ends.

2.)



Step 2: Use push pins to adjust wires to desired mounting height. Wire fixture to wires in outlet box. See dual plastic wire instructions for more details. Install Green wire to Ground Screw.

3.)



Step 3: Install Body (B) to Mounting Bracket (A) and tighten screws on the sides of the canopy to secure. Use template to carefully attach mounting pins that secure rings where they do not meet canopy.

Cleaning & Care:
Clean with soft cloth and a mild detergent.
Do not use abrasive cleaner.

