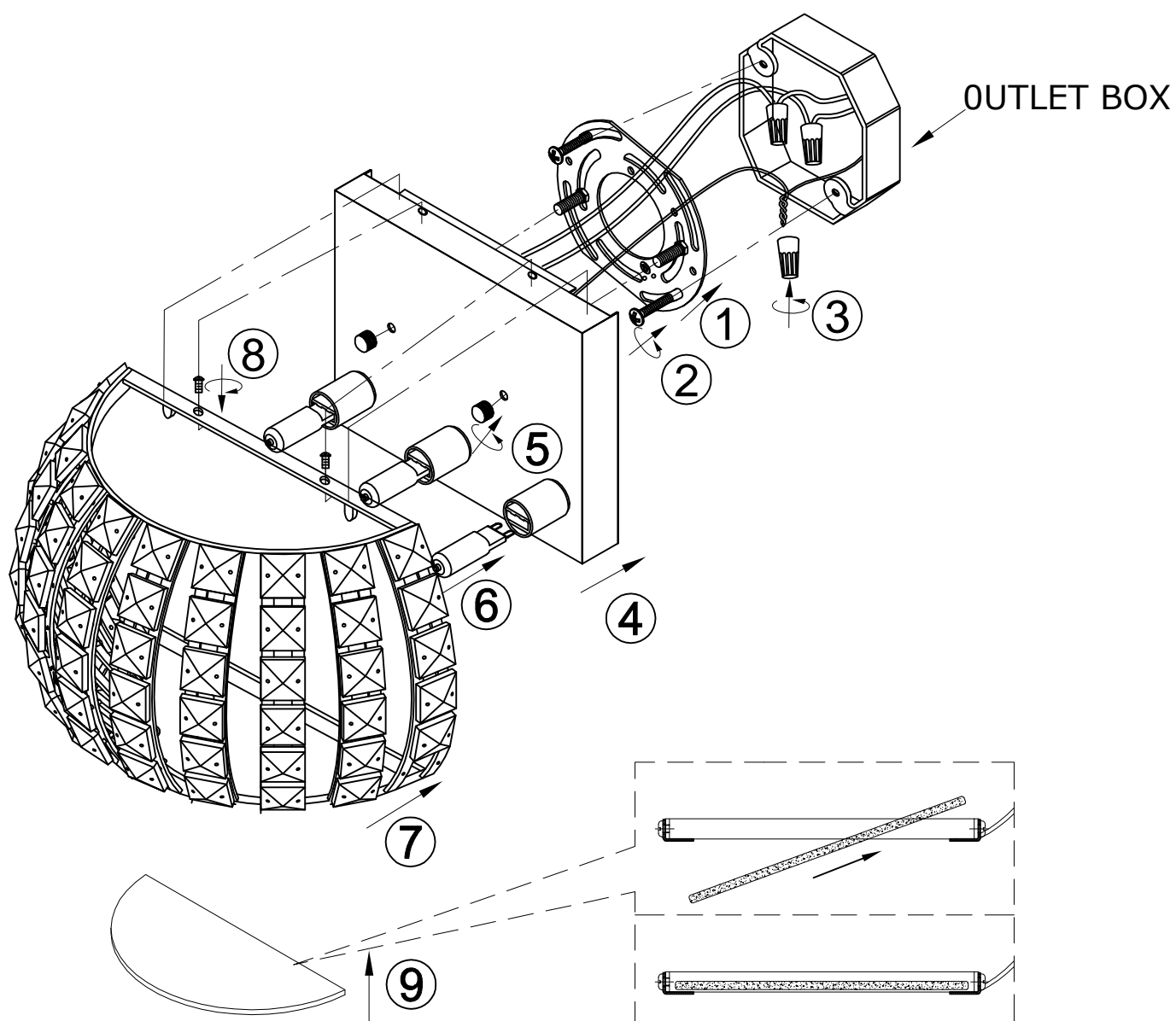


INSTALLATION INSTRUCTION

Item No. :E21806-20PC



FEATURE

● G9 3xMax 40W 120V~60Hz

The lamp can be only indoor used