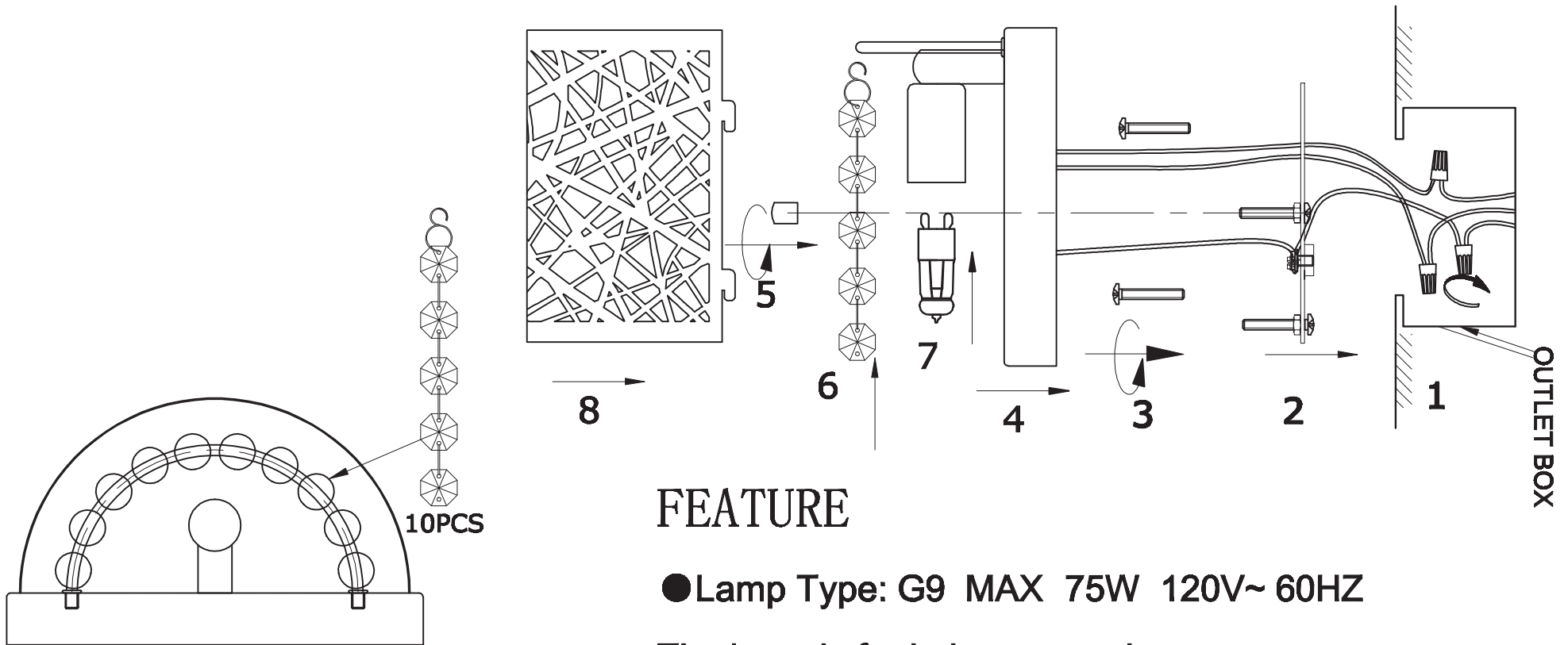


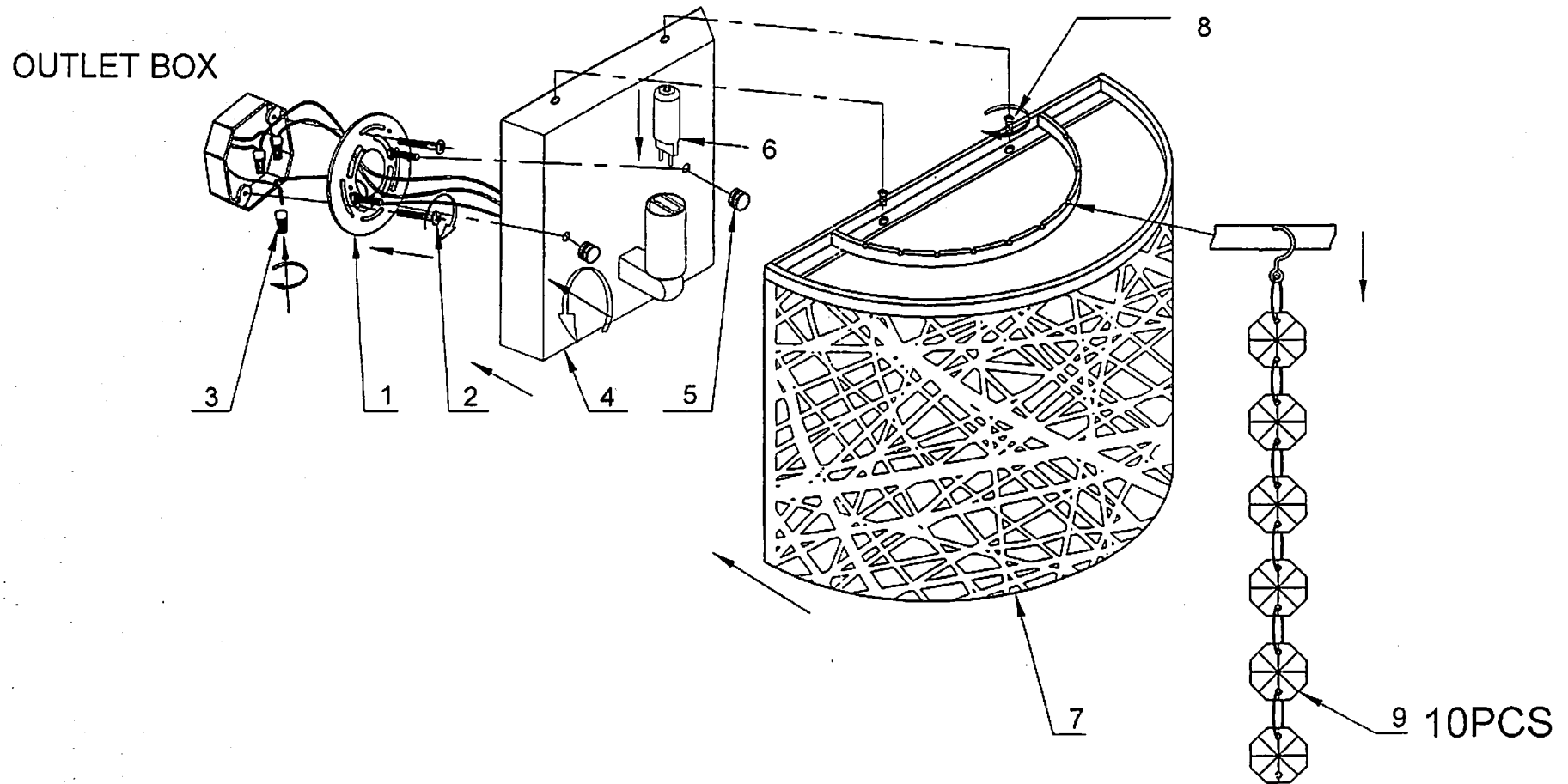
INSTALLATION INSTRUCTION

Item No. : E21302-10PC



INSTALLATION INSTRUCTION

Item No. : E21302-10PC



FEATURE

● Lamp Type: "Xenon"G9 MAX 75W 120V~ 60HZ

The lamp is for indoor use only