
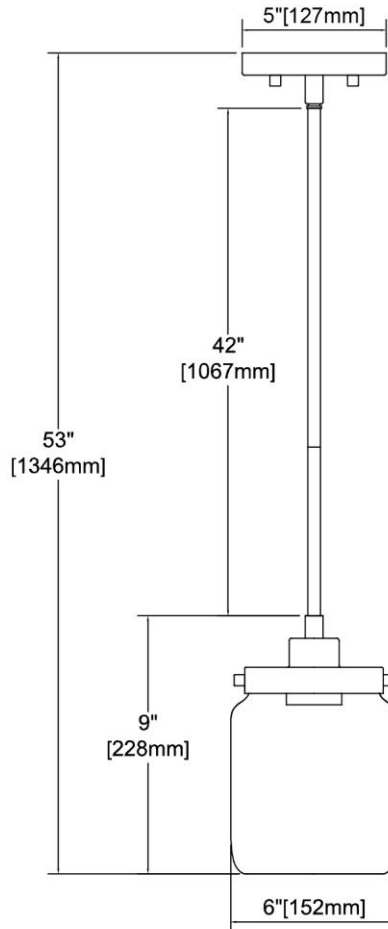


| | | |
|---|--------------------|--|
|  | ITEM #: | 85216/1 |
| | UPC | 748119131610 |
| | Description | Mason 1-Light Mini Pendant in Oil Rubbed Bronze with Clear Glass |
| | Finish | Oil Rubbed Bronze |
| | Materials | Glass, Steel |
| | Brand | ELK Lighting |
| | Collection | Mason |
| | Category | Indoor Lighting |
| | Type | Mini Pendant |

| ITEM DIMENSIONS | | | | RATINGS & SPECIFICATIONS | | | | |
|---------------------------|------------|-------------|-----------|--------------------------------|-------------|----------------|--------------------------|---------------|
| Width | 6 inches | | | Safety Rating | ETL | | Certification | Dry locations |
| Depth | 6 inches | | | ADA Compliant | N/A | | Voltage | 120 |
| Height | 9 inches | | | BULBS / SOCKETS | | | | |
| Weight | 3 pounds | | | Quantity | 1 | Wattage | 100 watts | |
| ADDITIONAL DIMENSIONS | | | | Included | No | Type | A19 (E26 Medium Base) | |
| Backplate / Canopy | 5 diameter | | | Other | N/A | | | |
| HCWO | N/A | | | CHAIN / CORD INFORMATION | | | | |
| Min. Extension | N/A | | | Chain | N/A | Cord | 72 inches - Brown Fabric | |
| Max. Extension | N/A | | | SHADE / GLASS DETAILS | | | | |
| OVERALL HEIGHT | | | | Shade/Glass Description | Clear glass | | | |
| Min. | 18 inches | Max. | 53 inches | | | | | |
| EXTENSION ROD(S) | | | | Width | 6 inches | | Height | 7 inches |
| Rods: 1-6, 3-12 | | | | Width at Top | N/A | | Width at Bottom | N/A |



Rev. 5/13/2019