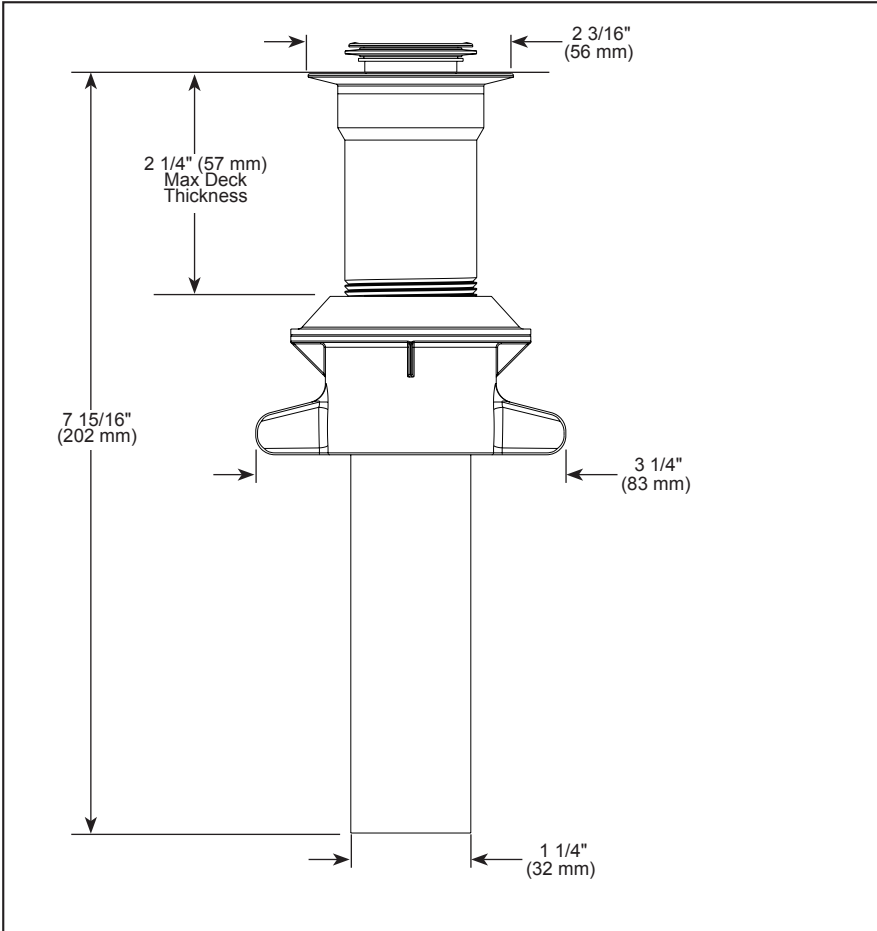


Submitted Model No.: _____
 Specific Features: _____



▲ Designate Proper Finish Suffix



see what Delta can do™

PUSH POP ASSEMBLY

■ Push Pop Assembly Less Overflow Holes

STANDARD SPECIFICATIONS:

- All metal construction push pop
- Tailpiece stainless steel for all finishes
- For use with sink without overflow

WARRANTY

- Parts and Finish - Lifetime limited warranty; or for commercial purchasers, 10 years for multi-family residential (apartments and condominiums) and 5 years for all other commercial uses, in each case from the date of purchase.
- Electronic Parts and Batteries (if applicable) - 5 years from the date of purchase; or for commercial purchasers, 1 year from the date of purchase. No warranty is provided on batteries.

COMPLIES WITH:

- ASME A112.18.2 / CSA B125.2
- ♿ Indicates compliance to ICC / ANSI A117.1

Delta reserves the right (1) to make changes in specifications and materials, and (2) to change or discontinue models, both without notice or obligation. Dimensions are for reference only. See current full-line price book or www.deltafaucet.com for finish options and product availability.