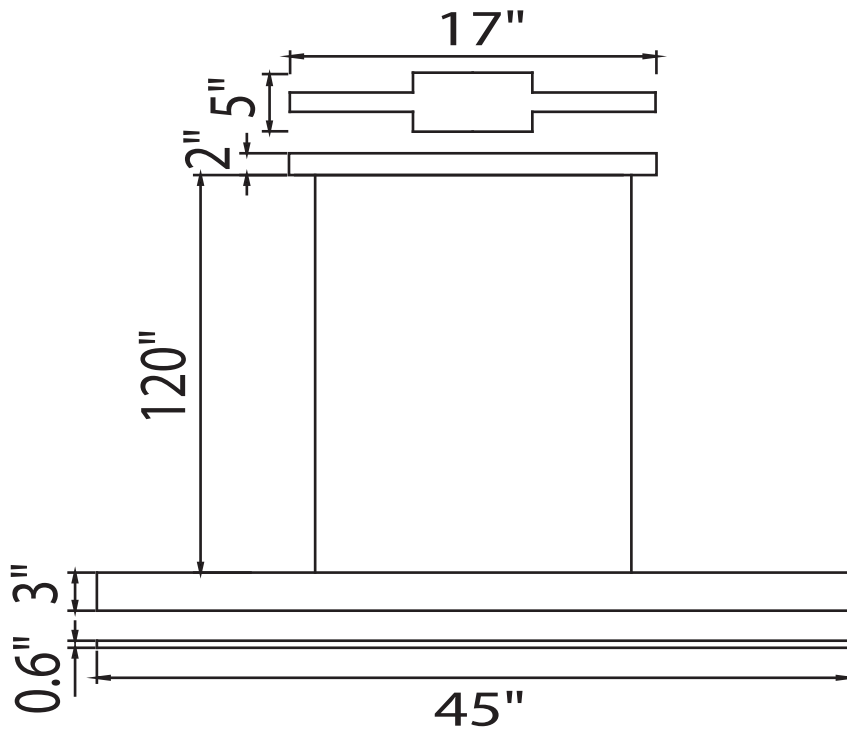




PROJECT: _____
 FIXTURE TYPE: _____
 LOCATION: _____
 CONTACT/PHONE: _____



| | |
|------------|---------------|
| Item | 7145P45-A-101 |
| Collection | Bellagio |
| Finish | Black |
| Glass | ----- |
| Crystal | ----- |
| Input | 120V AC, 60HZ |

| | |
|-------------|-------|
| Shade | ----- |
| Length/Dia. | 45" |
| Width/Ext. | 0.6" |
| Height | 3" |
| Maximum | 125" |
| Lumens | 1300 |

| | |
|--------------|---------|
| Light Source | LED |
| Bulb Info. | 25W |
| Included | ----- |
| Dimmable | Yes |
| Color | 3000K |
| Weight | 4.5 Lbs |