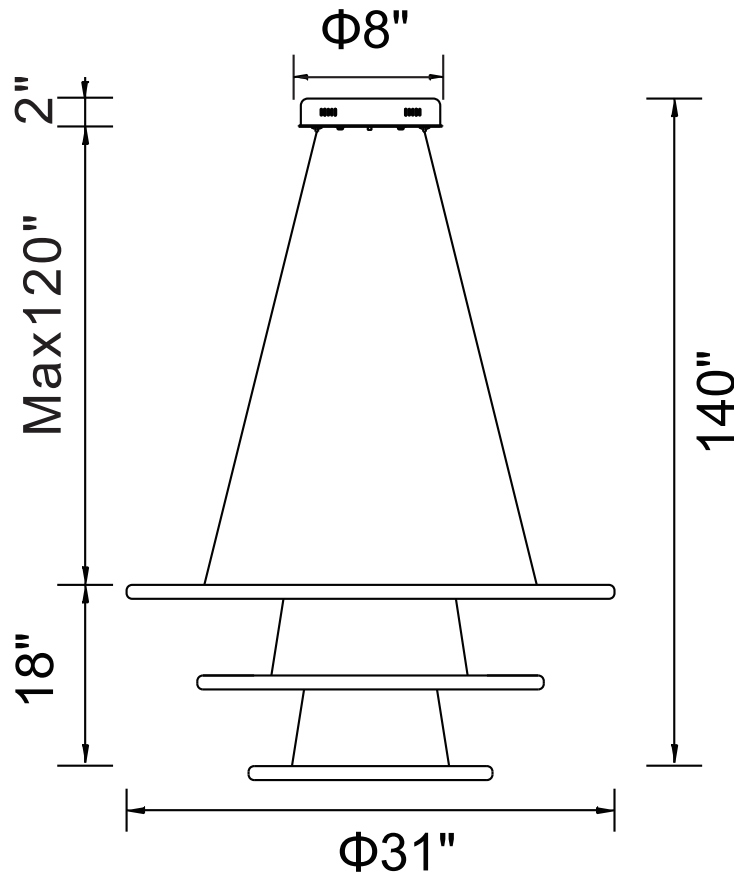


PROJECT: _____

FIXTURE TYPE: _____

LOCATION: _____

CONTACT/PHONE: _____



| | |
|------------|-----------------|
| Item | 7112P31-103 |
| Collection | CHALICE |
| Finish | White |
| Glass | ----- |
| Crystal | ----- |
| Input | 120V AC,60HZ,AC |

| | |
|-------------|-------|
| Shade | ----- |
| Length/Dia. | 31" |
| Width/Ext. | ----- |
| Height | 18" |
| Maximum | 140" |
| Lumens | 3578 |

| | |
|--------------|-------|
| Light Source | LED |
| Bulb Info. | 54W |
| Included | ----- |
| Dimmable | Yes |
| Color | 3000K |
| Weight | |