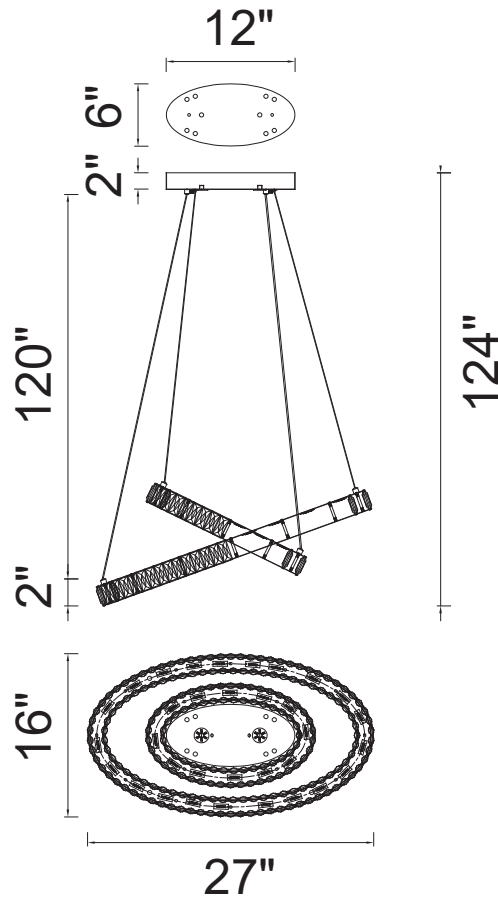


PROJECT: \_\_\_\_\_

FIXTURE TYPE: \_\_\_\_\_

LOCATION: \_\_\_\_\_

CONTACT/PHONE: \_\_\_\_\_



|            |                 |
|------------|-----------------|
| Item       | 5635P27ST-20    |
| Collection | FLORENCE        |
| Finish     | Stainless Steel |
| Glass      | -----           |
| Crystal    | Clear           |
| Input      | 120V AC,60HZ,AC |

|             |       |
|-------------|-------|
| Shade       | ----- |
| Length/Dia. | 27"   |
| Width/Ext.  | 16"   |
| Height      | 2"    |
| Maximum     | 124"  |
| Lumens      | 2157  |

|              |       |
|--------------|-------|
| Light Source | LED   |
| Bulb Info.   | 39W   |
| Included     | ----- |
| Dimmable     | Yes   |
| Color        | 4000K |
| Weight       |       |