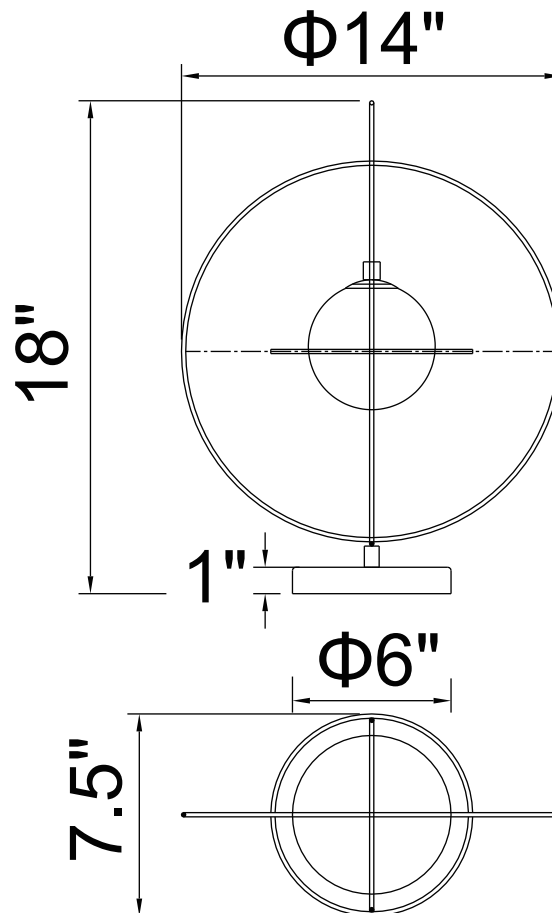


PROJECT: _____

FIXTURE TYPE: _____

LOCATION: _____

CONTACT/PHONE: _____



| | |
|---------------|--------------------------|
| Item | 1209T14-1-169 |
| Collection | ORBIT |
| Finish | Medallion Gold |
| Glass | Frosted |
| Crystal Input | ----- 120V AC,60HZ,AC |

| | |
|----------------|----------------|
| Shade | ----- |
| Length/Dia. | 7.5" |
| Width/Ext. | 7.5" |
| Height | 18" |
| Maximum Lumens | ----- ----- |

| | |
|--------------|--------|
| Light Source | LED G9 |
| Bulb Info. | 1×5W |
| Included | ----- |
| Dimmable | Yes |
| Color Weight | ----- |